

# Evaporative Window Cooler

## *Enfriador Evaporativo de Ventana*



ENERGY EFFICIENT  
ECO-FRIENDLY PRODUCT

Model MCP44

### Features

- Corrosion resistant plastic window cooler
- Cools up to 1600 sq. ft.
- High efficiency media
- Slim profile
- Remote control



## Operating and Installation Instructions

### Instrucciones de Funcionamiento y Instalación

**Keep this document for future reference.**  
*Guarda este documento para consultarlo en el futuro.*

Write your Serial Number here :  
*Escriba su número de serie :*

# MasterCool® MCP44 Evaporative Window Cooler

## Operating and Installation Instructions

Congratulations on your purchase of the MasterCool® MCP44 plastic evaporative cooler. This unit is manufactured with the intent of offering you years of reliable, efficient cooling.

**NOTE: READ THESE INSTRUCTIONS BEFORE INSTALLING THE COOLER. Follow the installation instructions in this manual carefully. Varying from them may create safety concerns and will void the warranty.**

### Safety Instructions

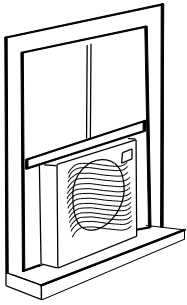
1. Use only with 110V 60 Hz single phase grounded outlet.
2. Ensure cooler is turned OFF and UNPLUGGED before installing, servicing or cleaning the unit.
3. Do not operate unit with damaged cord or plug, or with any other damaged or missing parts.
4. Do not run cord under carpeting. Do not cover cord with throw rugs, runners, or similar coverings. Do not route cord under furniture or appliances. Arrange cord away from traffic area and where it will not be tripped over.
5. Do not operate cooler with the rear media guard removed.
6. Do not use an extension cord to operate cooler.
7. Do not use an adapter to convert the three pin connector for use in an ungrounded 2 prong outlet.
8. DO NOT use with a solid state speed control device. Violation of this could cause fire or electrical shock.
9. Do not alter or modify this cooler.
10. Repairs or replacement of electrical components should only be carried out by qualified electricians.
11. Do not allow children to install, service, or operate the cooler.

### Table of Contents

Safety Instructions.....	2
Note About Evaporative Coolers.....	3
Features of the MasterCool® MCP44 Window Cooler .....	3
Installation Procedures .....	4
Cooler Assembly .....	4
Installation in Window .....	5
Installation in Wall.....	5
Water Connection, Water Pump and Lines, Overflow Drain, Water Level .....	6
Electrical System & Specifications.....	7
Plug-in Thermostat Usage.....	7
Optional Purge Pump .....	7
Operating Instructions .....	8
User Servicing Instructions.....	9
Annual Maintenance .....	9
Winterization .....	11
Cooler Diagram and Parts List .....	12
Troubleshooting .....	13
Warranty .....	14
<b>Español Manual.....</b>	<b>15</b>
<b>Maintenance Log .....</b>	<b>28</b>

## Note About Evaporative Coolers:

For the Mirage® to effectively cool a whole house there must be an open window or door in each room where cooling is desired.



Door or window should be open 4 to 6 inches

## Ventilation:

Unlike traditional air conditioners, evaporative coolers require an open ventilation system, not a closed system. Both a fresh air source and an exhaust opening are required to provide correct air flow. Typically, a partially opened window or door in each room where cooling is desired will create correct airflow for optimum effectiveness of an evaporative cooler.

**NOTE:** For best results, open windows/doors should not be on the windward side on the house.

**NOTE:** Evaporative coolers WILL NOT work in a Closed Room

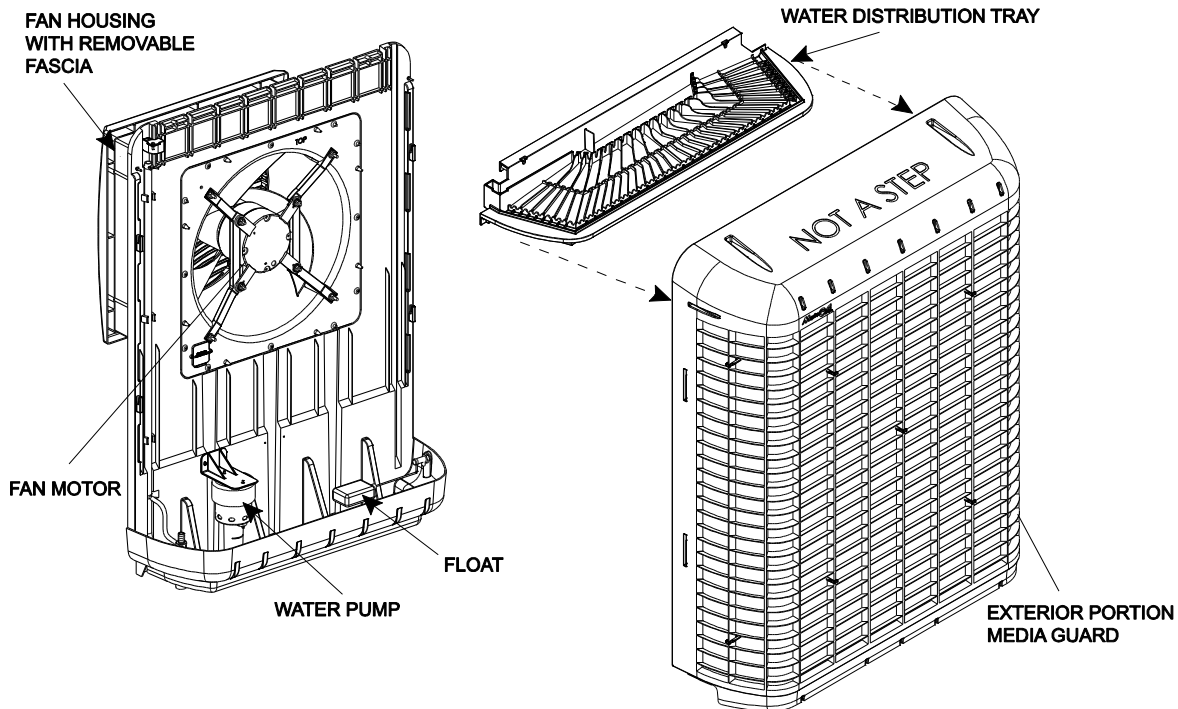
## Water bleed or purge:

Evaporative Coolers require a continuous supply of water to keep the media saturated for maximum cooling. Water pumped into the cooler must be removed from the unit to ensure mineral and bacteria build-up do not occur. This can occur with a gravity-fed steady bleed off stream or a timed purge system via a pump.

**CAUTION:** Water expelled from the cooler must be routed away from any areas that could do damage to foundations or other vulnerable areas.

**NOTE:** Drawings in this manual are for illustrative purposes only and may reflect slight differences depending on design level and configuration.

## Features of the MasterCool® MCP44 Window Cooler



This cooler's housing and frame are made of heavy-duty U-V resistant plastic to provide a light weight, easily installable cooler. The unit is constructed in two basic sections to facilitate quick installation into traditional sash windows or slider windows.

The high-efficiency rigid media offers superior cooling over other types of evaporative coolers.

**NOTE:** BEFORE INSTALLING UNIT, TAKE A MOMENT TO RECORD THE SERIAL NUMBER AND WRITE IT ON THE MANUAL COVER IN THE SPACE PROVIDED.

## INSTALLATION PROCEDURES

**WARNING:** Do not connect electrical power to the unit until the installation is completed.

The MasterCool MCP44 cooler can be installed in a sash-style or a slider-style window.

Alternatively, this unit is approved for in-wall installations.

In all installations, the following clearances are required:

Width: 22"; Height: 22" 4" clearance above the exterior cabinet is needed for maintenance.

**NOTE:** Ensure the location selected for installing the unit is strong enough to support the unit and will accept the mounting hardware. The operating weight of the cooler is 93 pounds.

**NOTE:** A minimum of two people is required for installation.

### Parts Included:

- Cooler Unit
- Mounting brackets (4)
- Accordion spacers (2) Hardware kit

### Tools & Materials Required:

- Drill (power or cordless)
- Assorted drill bits (for drilling pilot holes for mounting hardware)
- Adjustable Wrench
- Phillips Head Screwdriver
- Silicone or all-weather caulk for sealing infill panel to window frame
- Length of ¼" copper or plastic tubing
- Sillcock valve
- Bubble level
- spacer material (as required)

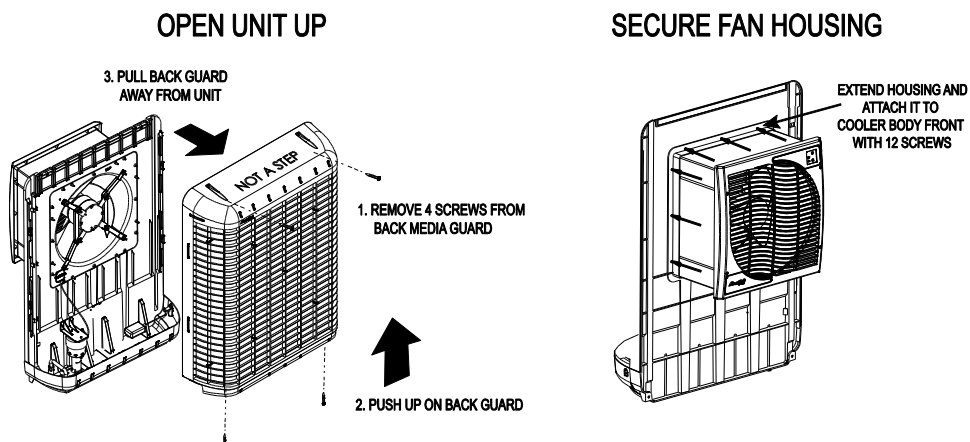
### Cooler Assembly

Remove unit from box. Verify that all parts are included.

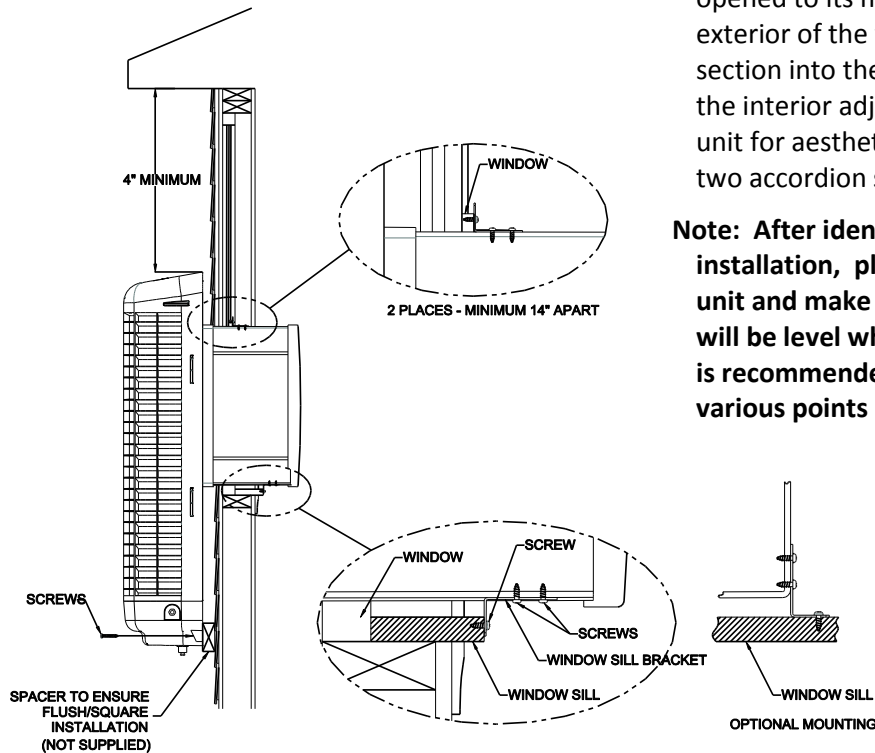
1. Remove all packing materials.

**CALL 1-800-643-8341 IF YOU FIND PARTS MISSING OR HAVE ANY QUESTIONS**

2. With the unit in an upright position, remove 4 screws holding the back media guard, separate front and back sections. Pull the fan assembly forward (about 6") until it is fully engaged with the mating part and secure in place using the 12 supplied screws. Verify that assembly is secure to prevent vibration between the two sections.



## Installation in Window



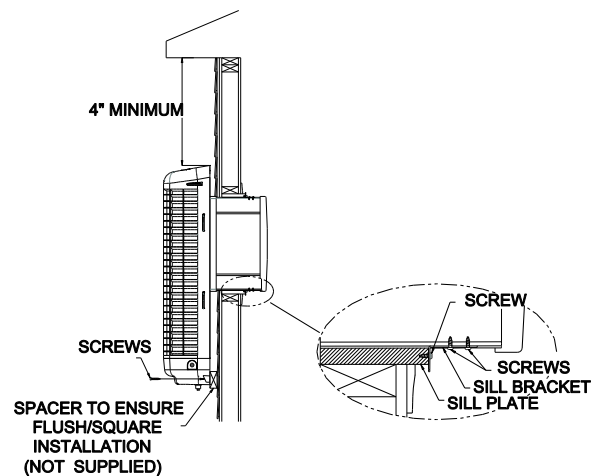
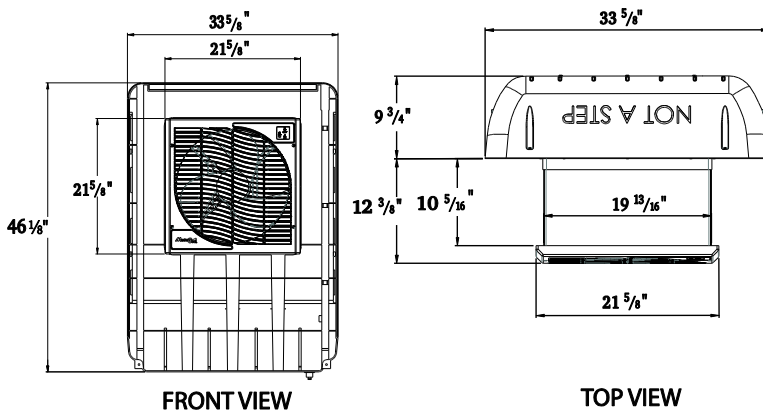
1. Remove screen and make sure window is opened to its maximum height. From the exterior of the window, slide the fan assembly section into the window. Have the person on the interior adjust the exact placement of the unit for aesthetics and correct lengths of the two accordion spacers (included).

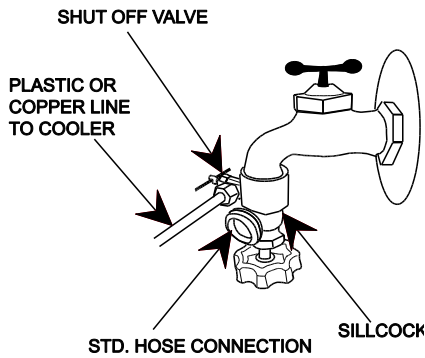
**Note: After identifying the position for installation, place a bubble level on top of the unit and make adjustments to ensure the unit will be level when installation is complete. It is recommended to verify unit is level at various points during installation.**

2. Closing the window may help hold the unit in place during the following steps – Push the unit into the window until the bottom is flush with the outside wall or spacer (not supplied) as shown in the illustration.
3. Make sure unit is level. From the interior, locate the two tracks on the bottom of the fan assembly. Drill pilot holes as necessary and install the two window sill brackets as shown in illustration.
4. Secure the top of the fan housing to the window frame with two additional brackets and screws.
5. From the outside, secure the unit to the exterior wall (or spacer) with two screws at the base of the back cover (as shown in illustration.) Complete the installation of the exterior portion with two screws at the top of the back media guard.
6. With the unit now installed in the window, attach one accordion spacer to each side of the fan assembly using the adhesive backed edges. Short screws(not included) can be used for a more secure installation. **(Make sure screws do not interfere with fan blade)**
7. Once accordion spacers are installed, seal any gaps around the units with silicone or all weather caulk.

## Installation in Wall

This cooler is approved for in-wall installation. Contact a licensed contractor for having the cooler installed in an outside wall.





## Water Connection

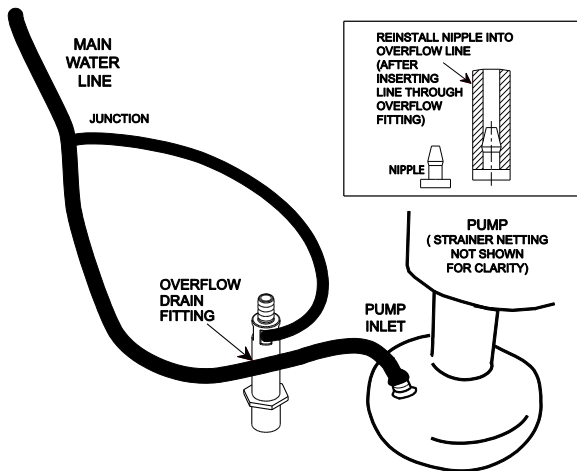
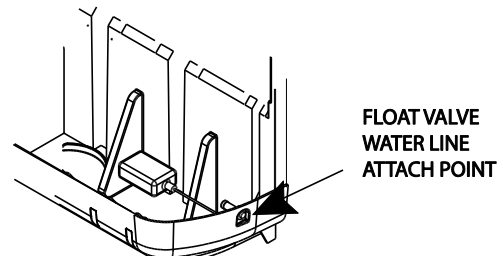
**NOTE:** A standard sillcock with water valve attached (locally available) will be required to connect the water supply to the cooler.

1. Steady water supply is required for operation of the cooler. If taking water from an external water faucet, install a sillcock and shutoff valve.
2. Install plastic or copper line to sillcock and connect it to the float valve.

## Water Pump and Lines

A self-contained water pump continuously circulates water through the water distribution system and over the media.

The pump and water lines are shipped unconnected.

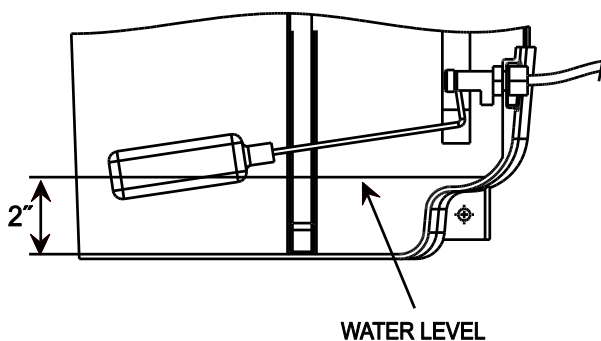
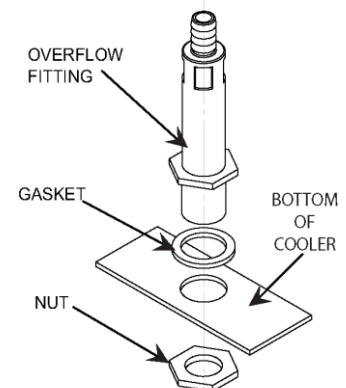


## Connect the Water Lines

1. Locate the black water line snapped into plastic keepers inside the unit.
2. Attach the bottom end of the main water line to the pump inlet.
3. Remove the nipple inserted into the end of the overflow line. Push overflow hose into one of the slots in the sides of the overflow drain fitting.
4. Reinsert the nipple into the overflow line.
5. Attach the top of the hose to the water distribution tray.
6. Ensure there are no kinks in the water lines after completion.

## Overflow Drain

1. Slide the rubber washer over the overflow fitting and push through the hole in the bottom of the cooler from the top side.
2. Secure the drain from beneath the pan with the Lock Nut. Make sure the rubber washer does not twist while tightening, which could cause it to leak. **DO NOT OVERTIGHTEN.**
3. If leakage occurs after reservoir is full, retighten the overflow fitting until leaking stops. A small amount of silicone caulk may be used if necessary.
4. Attach a drain hose to the bottom of the fitting if necessary.



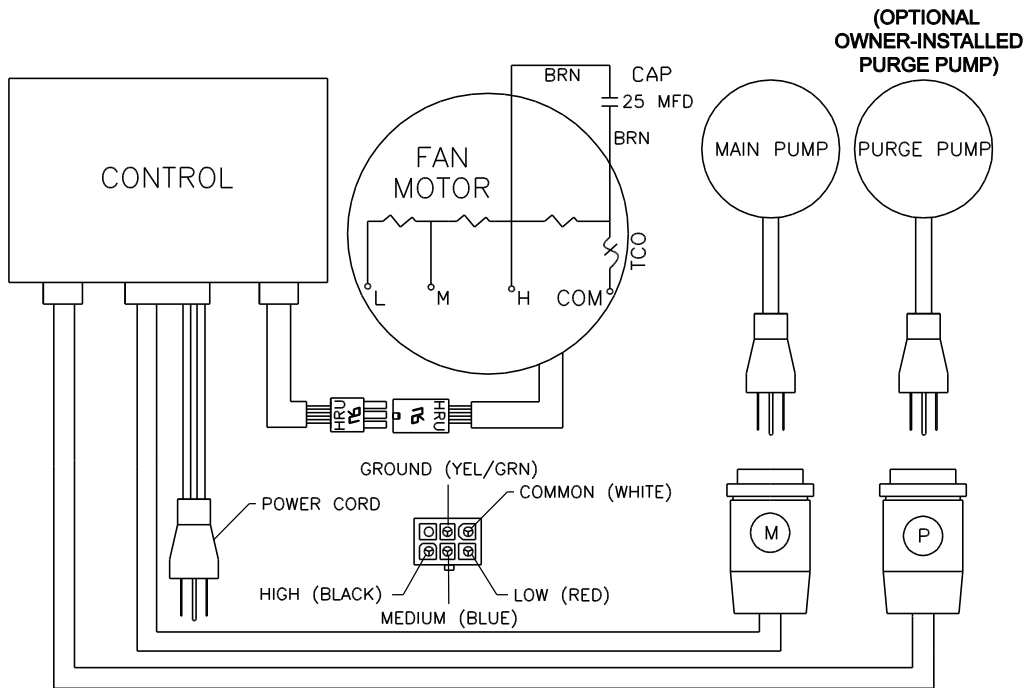
## Water Level

Two inches of water should be maintained in the bottom of the cooler to ensure sufficient water for correct operation of the cooler.

The float is factory-installed to maintain a 2 inch level of water, but may require adjustment if shipping or installation has caused the setting to shift.

## Electrical System

The electrical system does not require general maintenance. The following wiring diagram is supplied for reference only.



ELECTRICAL SPECIFICATIONS OF MCP44 COOLERS		
MCP44	Fan Motor: 120 V; 2.8 Amps	Main Pump: 120 V; 0.9 Amps
If Optional PURGE PUMP is installed		Additional 0.9 Amps

### Plug-In Thermostat Usage

The MCP44 can be controlled by a plug-in programmable thermostat. These thermostats are locally available, and enable precise timing and temperature control via an electronic thermostat that plugs into a 110 volt outlet. To use such a device with the MCP44, follow the instructions for the specific thermostat and plug the cooler into the outlet on the thermostat.

### Optional Purge Pump

In addition to the standard water pump to recirculate water from the reservoir, a purge pump can be installed to evacuate the contents of the reservoir every 6 hours. This helps retard bacterial growth and mineral buildup on the media, extending its life. It also maintains fresher air in the home. The use of the purge pump is actually more economical to use than a continual bleed line. The purge pump kit (P/N MCP44-PPK) for this unit may be purchased locally or online.

### Purge Pump Discharge

**NOTE:** The water ejected at the time of purging will be expelled at a high rate of speed, and must be routed away from the foundation of the home or other areas where rushing water could do damage.

1. Attach a standard water hose to the overflow drain to direct the water away from the house.

**NOTE:** This water is not potable, but can be used for watering vegetable or flower gardens.

## OPERATING INSTRUCTIONS

The MCP44 has an electronic touch control panel in the upper right hand corner. Before turning unit on, ensure unit is plugged in, water supply to pump is on, and there is correct ventilation, as shown on page 3 of this manual.

**Note:** These units may be controlled using the 3 buttons on the front panel of the cooler or with the remote control.

### On/Off

This button initiates power to the unit. When first plugged, pressing ON/OFF will start the unit in the default setting (pump ON and Fan on HIGH). After its initial use, the last operating settings (for fan and pump) will be reinstated when the unit is turned on again.

Pressing this button when the unit is already running will turn both fan and pump off.

**After A Power Failure:** Once power is restored, the unit will restart in the same settings as before power was lost.

### Pump

This button toggles the pump on and off. When the LED is lit, the pump is running. The pump must be on while operating the fan for the unit to operate as an evaporative cooler, though the unit can be used in fan mode without the pump, if desired.

**Note:** For best results turn on the pump for a few minutes to wet the pads before operating the fan.

### Fan

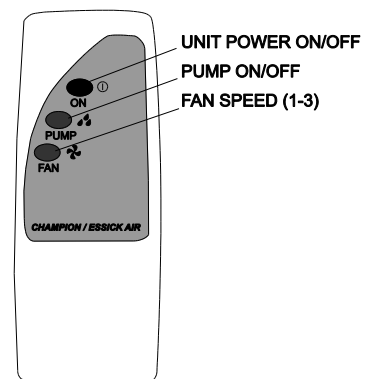
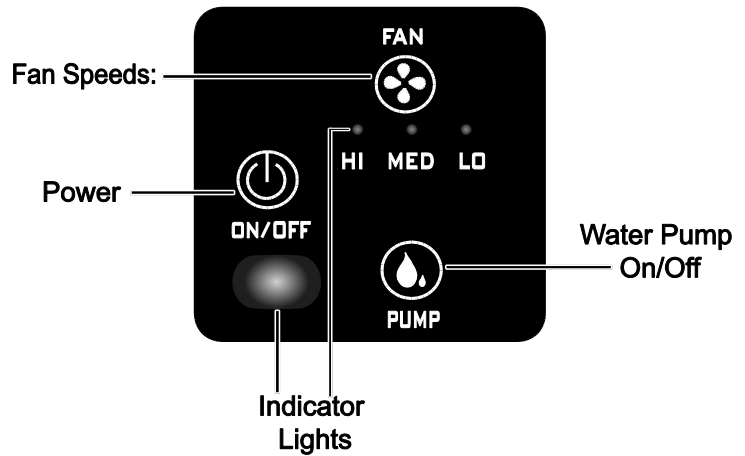
Pressing the fan button cycles the unit from HIGH, to MEDIUM to LOW speeds and then OFF.

**Please Note:** There is a **two second delay** from the pressing of the button for the fan to engage or change speeds. This applies to the front control panel and the remote control.

### Remote Control

The remote control supplied with this cooler allows you to turn the unit on or off, control fan speed and initiate the pump. The buttons operate in the same manner as those on the front control panel.

The remote control's range is approximately 20 feet within sight of the cooler. It uses two AA alkaline batteries (included). A wall mountable holder is also supplied with the cooler.





## USER SERVICING INSTRUCTIONS

Maintenance on evaporative coolers is minimal, but very important to the proper operation and effectiveness of your cooler. Periodic inspection of the cooler's interior will reduce the potential for substandard cooling due to insufficient or uneven water distribution.

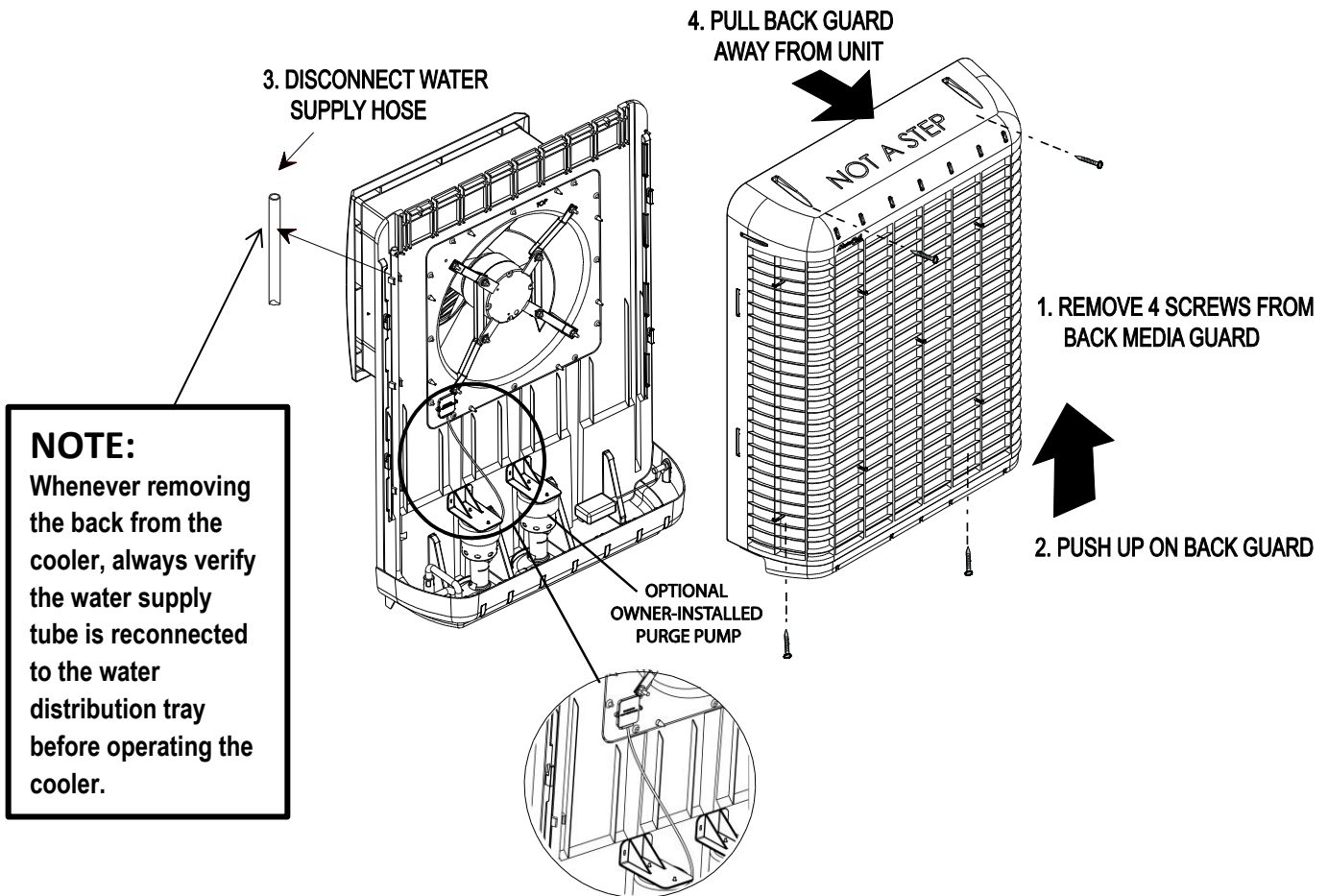
**NOTE:** For general maintenance purposes, the unit may be rapidly drained of water by removing the overflow fitting from the bottom of the unit. This is **not** adequate draining for winterization (see procedures under Winterization section.)

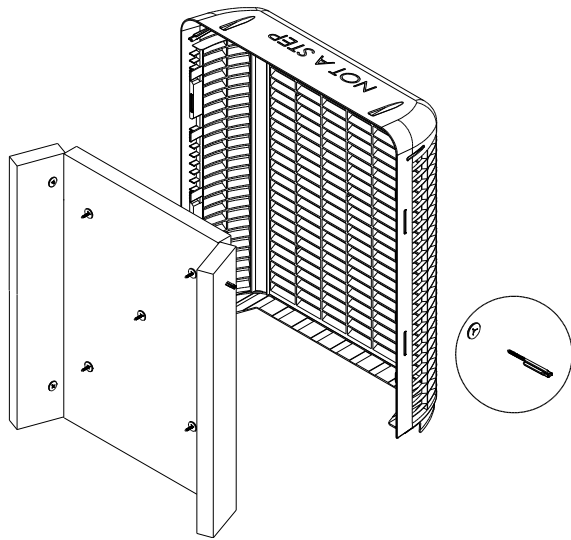
### Annual Maintenance (May be Needed More Often in Areas with Hard Water)

#### Cleaning

**WARNING:** Disconnect from electrical power and turn unit off during all maintenance. Turn water supply off before removing back for cleaning or maintenance.

1. Remove the back media guard (as shown below).
2. Inspect pads in place. Remove media pads from back guard by unscrewing the media peg clips. Be careful not to chip or damage the media while removing. Visually inspect both sides of media pads. Look for blockage, mineral build-up or mildew growth, breakage or other anomalies.





3. Wash pads with a garden hose. Do not use a pressure washer.
4. Check water distributor for blockage or excessive buildup of dust.
5. Set media in a safe place until all maintenance is complete.
6. Wash out reservoir thoroughly using a soft bristle brush. Use plenty of water to remove algae growth. Clean areas around pump, strainer and float to ensure no algae growth remains.

**CAUTION: Do not use harsh chemicals** (like chlorine bleach) to clean the interior portions of the cooler. Do not use abrasive cleaners on the exterior of the cooler body to maintain its UV resistance.

7. Rinse thoroughly after using any cleaning solutions have been used on the interior or exterior of the unit.

**Water System Pump:**

1. The water pump is a self-contained unit that should require no maintenance other than ensuring that no debris or corrosion interferes with free movement of the parts.
2. Ensure hose connection to pump is in good condition.

**Water Float:**

1. The float level is factory set for optimum performance, however moderate adjustments can be made by bending the float arm for a different water level.
2. The maximum recommended water level is approximately two inches (the height of the overflow orifice.)

**Water Distributor**

1. Inspect the water distribution section to ensure all orifices are clear.
2. Verify the hose connections are in good order and no kinks or tears are present.

**Water Drain Overflow**

1. Unscrew the drain overflow pipe and check the condition of the gasket at the bottom of the fixture. When reinstalling, ensure the standpipe fixture is secure and there is no leakage after the reservoir is filled.

**NOTE:** If during usage of the cooler you start noticing low saturation of pads and insufficient cooling, or leakage from the cooler, check the O-ring at the base of the standpipe. This is the most likely cause of leakage on this unit.

**Optional Water Purge Pump (if installed)**

1. If a purge pump has been installed on the MCP44, check that the purge pump and strainer are corrosion-free with freely moving parts.

## Winterization

The MCP44 cooler is durable enough to be left installed during the winter, though a few precautions must be taken to ensure no water freezes in the unit or lines.

If the temperatures in your area drop well below freezing it may be wise to remove the water supply line from the outside faucet.

### Draining

#### MCP44:

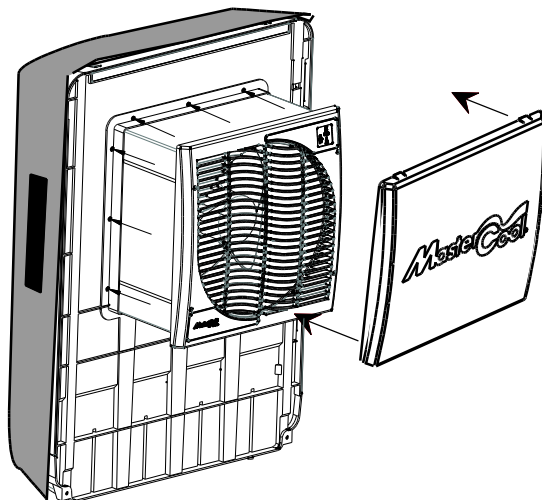
1. Turn the water supply to the cooler off.
2. Turn off and unplug cooler. Remove 4 screws securing the back media guard and access interior of unit.
3. Soak up any remaining water and ensure all water is drained from both the water pump and the purge pump.
4. Disconnect and drain the water hoses and water distributor.

#### MCP44 (with optional owner-installed purge pump):

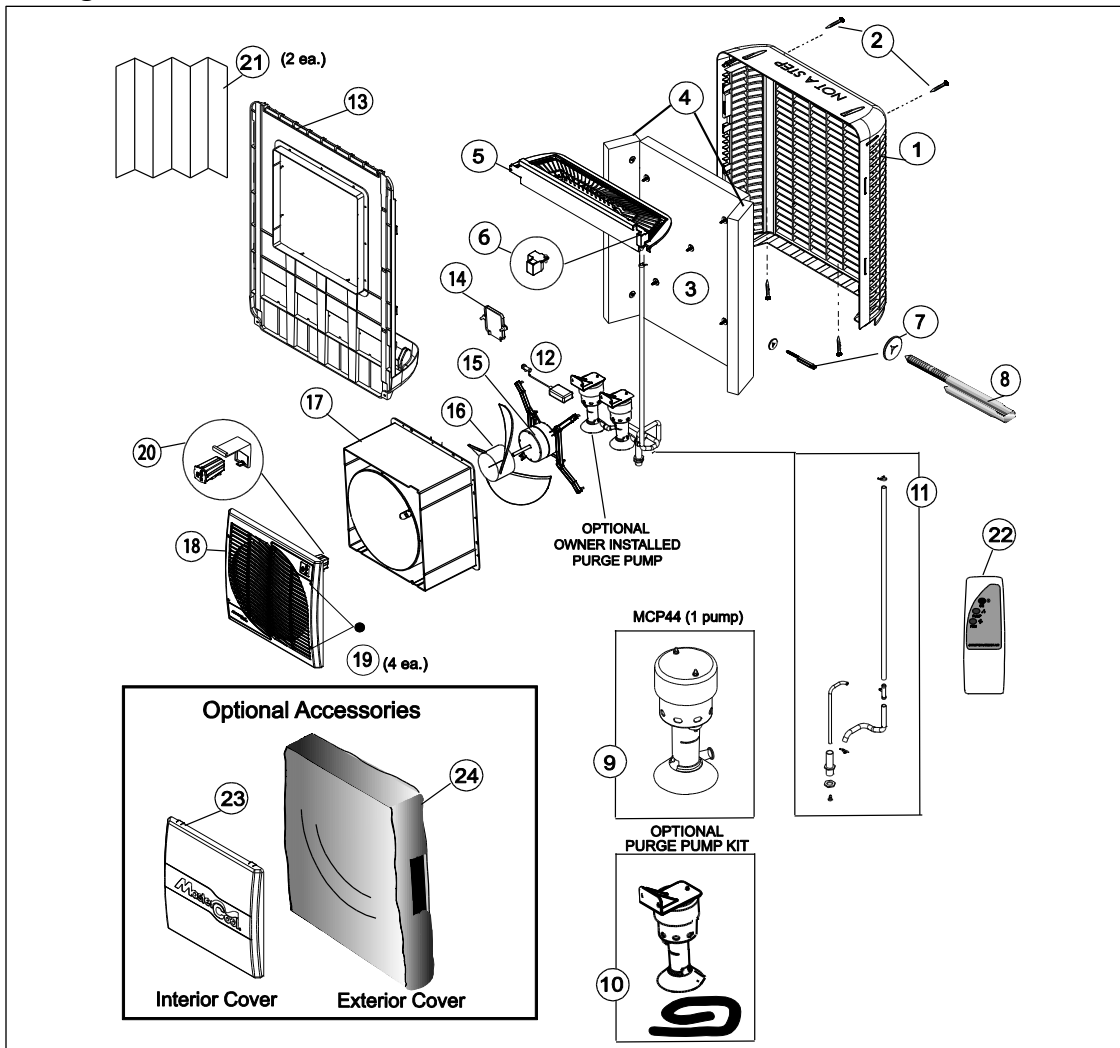
1. Turn off the water supply to the cooler.
2. Turn off and unplug cooler.
3. Remove four screws securing the back media guard and access the interior of the unit.
4. Soak up any remaining water and ensure all water is drained from both the water pump and the purge pump.
5. Disconnect and drain the water hoses and water distributor.
6. Replace the media guard.

### Covering

1. Cover the external portion of the cooler with a heavy bag and secure with straps of heavy tape.  
Or purchase a fitted MasterCool® MCP44 exterior cooler cover, P/N MCP44-EC, available on line at [www.championcooler.com](http://www.championcooler.com) or at retail outlets.
2. An optional interior grille cover, P/N MCP44-IC to keep air from entering the home through the window is available at [Championcooler.com](http://Championcooler.com) or at a retail outlet.
  - a. Use the snap on clips molded into the cover to secure the cover to the grille.



## Cooler Diagram and Parts List



Item	Description	Part Number
1	Cooler Back/Media Guard	72243
2	Set of 4 screws for attaching back guard	72303
3	Back Media Pad; 2" X 24" X 35.5" CelDek	72244
4	Side Media Pad; 2" X 5.88" X 35.5" CelDek (2 ea.)	72245
5	Water distributor tray	72249
6	Tray cap	72250
7	Media Peg Clip; window cooler; PP (4 ea.)	72246
8	Media Peg; window cooler; PP (4 ea.)	72247
9	Pump assy. – Main water system	72402
10	Purge pump kit. (Optional Accessory)	MCP44-PPK
11	MCP44 Water Distribution Hose assy.	72256
12	Float valve	72290
13	Cooler body front	72242
14	Receptacle cover	72407
15	Fan motor	72428
16	Fan Blade	72253
17	Fan Housing	72251
18	Grille	72257
19	Grille screw caps	72260
20	Control module	72258
21	Vinyl accordion window panel (2 ea.)	72284
22	Remote control	72302
23	Interior Grille Cover – available for purchase	MCP44-IC
24	Exterior Cooler Cover – available for purchase	MCP44-EC

## Trouble Shooting Chart

<b>PROBLEM</b>	<b>PROBABLE CAUSE</b>	<b>SOLUTION</b>
Unit will not start	<ul style="list-style-type: none"> <li>a. No Power</li> <li>b. Tripped Circuit Breaker</li> <li>c. Blown home fuse</li> <li>d. Electrical fault</li> </ul>	<ul style="list-style-type: none"> <li>a. Verify unit plugged in; and outlet is functional</li> <li>b. Reset Circuit Breaker</li> <li>c. Replace home fuse</li> <li>d. Call Champion Help line</li> </ul>
Insufficient Cooling	<ul style="list-style-type: none"> <li>a. Inadequate water distribution (pads not saturated)</li> <li>b. Pads dirty or covered with mineral deposits</li> </ul>	<ul style="list-style-type: none"> <li>a. Check water distribution tray and hose for blockages.               <ul style="list-style-type: none"> <li>- Verify pump operating correctly</li> <li>- Check water supply for correct flow</li> </ul> </li> <li>b. Wash dirt &amp; deposits off pads or replace pads</li> </ul>
Water in air stream	<ul style="list-style-type: none"> <li>a. Water system has leaks or loose connections</li> <li>b. Water is not being absorbed by media pads, and entering straight into airflow</li> </ul>	<ul style="list-style-type: none"> <li>a. Check all water connections, tubing, distribution tray for loose fittings, leakage or tears.</li> <li>b. Check condition of pads. Clean or replace as necessary .</li> </ul>
High indoor humidity	<ul style="list-style-type: none"> <li>a. Insufficient air flow</li> <li>b. Unsatisfactory exhaust</li> </ul>	<ul style="list-style-type: none"> <li>a. Increase fan speed</li> <li>b. Open doors or windows more</li> </ul>
Odor in home	<ul style="list-style-type: none"> <li>a. Bacterial growth in reservoir</li> <li>b. Air intake is picking up ambient odor from surroundings</li> </ul>	<ul style="list-style-type: none"> <li>a. Clean unit regularly with disinfectant or add a liquid bacteriostat into the water tank</li> <li>b. Remove source of odor or move cooler to another window</li> </ul>
Rapid mineral buildup on media pads	<ul style="list-style-type: none"> <li>a. Hard water</li> </ul>	<ul style="list-style-type: none"> <li>a. Increase maintenance cycle and wash off scale more often. Check orifices are clear of mineral buildup.</li> </ul>

**MASTERCool PLASTIC WINDOW COOLER LIMITED WARRANTY POLICY**  
**EFFECTIVE NOVEMBER 1, 2013**

**SALES RECEIPT REQUIRED AS PROOF OF PURCHASE FOR ALL WARRANTY CLAIMS.**

This product is warranted against defects in workmanship and materials as listed below:

One year from the date of sale, except:

Two years from the date of sale on motor and pump(s).

Five (5) year limited warranty on Media Pads.

This warranty applies only to the original purchaser of the product when it is purchased from a reputable retailer/dealer.

This warranty does not apply to damage from accident, misuse, alterations, unauthorized repairs, unauthorized use, mishandling, unreasonable use, abuse, including failure to perform reasonable maintenance, normal wear and tear, nor where the connected voltage is more than 5% above the nameplate voltage, nor to the equipment or products being improperly installed or wired or maintained in violation of this Owner's Manual.

Alterations include the substitution of name brand components including, but not limited to media pads.

This warranty does not cover damage caused by weather-related elements such as wind, rain, lightening or floods, nor environmental conditions such as salt air, nor damage caused by voltage spikes or other power fluctuations.

No responsibility will be accepted for damage caused by vermin, pests, pets or farm animals.

We accept no liability for loss of contents, carpets, walls, foundations, ceilings or any consequential damage incurred directly or indirectly from improper installation or operation.

THIS PRODUCT IS NOT INTENDED FOR COMMERCIAL USE. THIS IS THE SOLE AND EXCLUSIVE WARRANTY GIVEN BY MANUFACTURER WITH RESPECT TO THE PRODUCTS AND, TO THE MAXIMUM EXTENT PERMITTED BY LAW, IS IN LIEU OF AND EXCLUDES ALL OTHER WARRANTIES AND CONDITIONS, EXPRESS OR IMPLIED, ARISING BY OPERATION OF LAW OR OTHERWISE. INCLUDING WITHOUT LIMITATION, MERCHANTABILITY AND/OR FITNESS FOR A PARTICULAR PURPOSE.

No employee, agent, dealer or other person is authorized to give any warranties or conditions on behalf of the manufacturer. The customer shall be responsible for all costs incurred in the removal or reinstallation of the product for repairs.

**Within the limitations of this warranty, purchaser with inoperative units should contact customer service at 800-643-8341. A copy of the sales receipt and serial number are required for all warranty claims.**

**This warranty will be null & void if purchaser attempts to repair or replace any mechanical or electrical components if not supplied by the manufacturer.**

The warranty gives the customer specific legal rights, and the customer may also have other rights which vary from province to province, or state to state.



MasterCool by Champion Cooler  
5800 Murray St.  
Little Rock, AR 72209  
800.643.8341  
[www.championcooler.com](http://www.championcooler.com)

# Enfriador Evaporativo de Ventana del MasterCool® MCP44

## Instrucciones de uso e instalación

Felicitaciones por haber comprado el enfriador evaporativo plástico MasterCool® MCP44. Esta unidad se fabricó con el propósito de brindarle un enfriamiento confiable y eficiente durante años.

**NOTA: LEA ESTAS INSTRUCCIONES ANTES DE INSTALAR EL ENFRIADOR.** Siga atentamente las instrucciones de instalación de este manual. En caso contrario, podrían ocasionarse problemas relacionados con la seguridad y invalidar la garantía.

### Instrucciones de seguridad

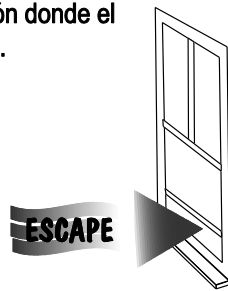
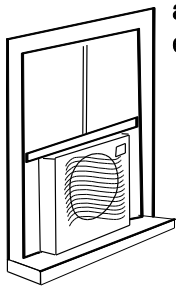
1. Use la unidad únicamente con un tomacorriente monofásico con conexión a tierra de 110 V y 60 Hz.
2. Asegúrese de que el enfriador esté APAGADO y DEENCHUFADO antes de realizar la instalación, el mantenimiento o la limpieza de la unidad.
3. No opere la unidad con un cable o enchufe dañado ni con otras piezas dañadas o faltantes.
4. No haga funcionar el cable debajo de la alfombra. No cubra el cable con alfombras, alfombrillas o revestimientos similares. No cable de ruta debajo de los muebles o electrodomésticos. Coloque el cable lejos del área de tráfico y donde no se pueda tropezar.
5. No opere el enfriador con la protección posterior del medio extraída.
6. No utilice un cable prolongador para operar el enfriador.
7. No use un adaptador para convertir el conector de tres clavijas para utilizar en un tomacorriente sin conexión a tierra de 2 espigas.
8. NO lo use con un dispositivo de control de velocidad de estado sólido. Si lo hace, podría ocasionar un incendio o descarga eléctrica.
9. No altere ni modifique este enfriador.
10. Los componentes eléctricos deben ser reparados o reemplazados únicamente por electricistas calificados.
11. No permita que niños operen o realicen la instalación o el mantenimiento del enfriador.

### Índice

Instrucciones de seguridad .....	15
Nota acerca de los enfriadores evaporativo: .....	16
Funciones del enfriador de ventana MasterCool® .....	16
Procedimientos de instalación .....	17
Montaje del enfriador .....	17
Instalación en ventana .....	18
Instalación empotrada .....	18
Conexión de agua, Bomba de agua y Tuberas, Desborde de Drenaje Nivel de agua .....	18
Sistema eléctrico .....	20
Uso del termostato complementario .....	20
Bomba de purga (Opcional) .....	20
Instrucciones de uso .....	21
Servicio usuario Instrucciones .....	22
Mantenimiento anual .....	24
Acondicionamiento para el invierno .....	24
Diagrama del enfriador y lista de piezas .....	25
Tabla de solución de problemas .....	26
Garantía .....	27
Mantenimiento de los Registros .....	28

## Nota acerca de los enfriadores evaporativo:

Para el Mirage® enfriador para trabajar mejor, tiene que haber una ventana o puerta abierta en cada habitación donde el enfriamiento es deseado.



Ventana o puerta abierta 4 - 6"

**NOTE:** Los enfriadores evaporativo NO funcionan en habitaciones cerradas

### Ventilación:

A diferencia de los acondicionadores de aire, los enfriadores evaporativo necesitan un sistema de ventilación abierto y no cerrado.

Se requieren tanto una fuente de aire fresco como una apertura de escape para generar una correcta circulación de aire. Típicamente, una ventana parcialmente abierta o la puerta en cada cuarto(espacio) donde de enfriamiento es deseada crearán la corriente de aire correcto para la eficacia óptima de un enfriador evaporativo.

**NOTA:** Para mejores resultados, las ventanas/puertas abiertas no deben estar en la parte de la casa enfrentada al viento.

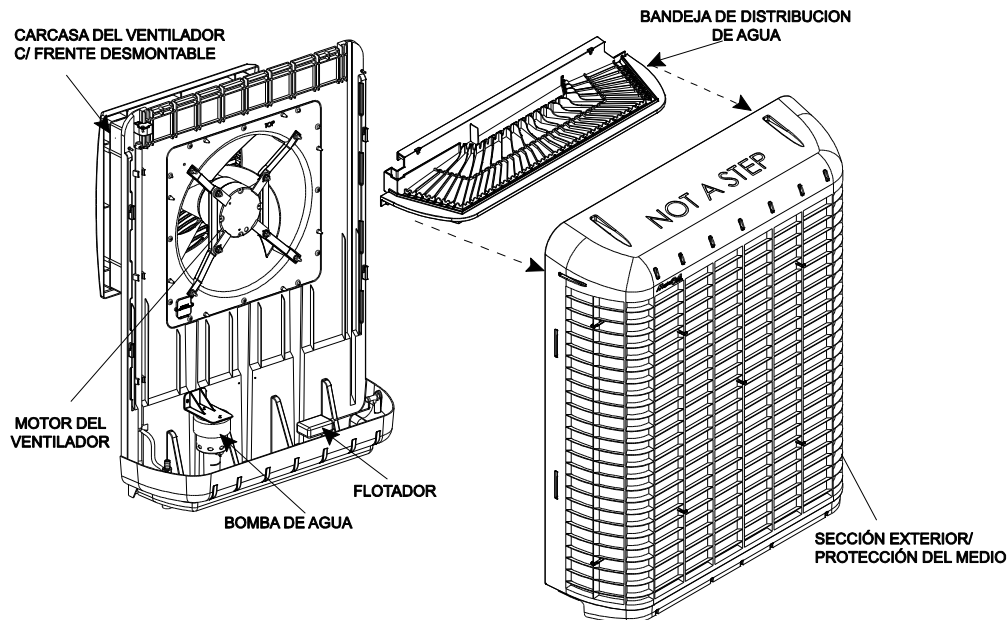
### Purga de agua:

Los enfriadores evaporativo requieren un suministro de agua continuo para mantener saturado el medio y lograr un máximo enfriamiento. Debe retirarse de la unidad el agua bombeada dentro del enfriador para evitar la acumulación de minerales y bacterias. Esto puede suceder por acción gravitatoria de un flujo de descarga constante o por un sistema de purga programado a través de una bomba.

**ADVERTENCIA:** El agua expulsada del enfriador debe dirigirse lejos de cualquier área que pudiera afectar los cimientos u otras zonas vulnerables.

**NOTA:** Los dibujos de este manual son para fines ilustrativos y pueden reflejar pequeñas diferencias en función de las diferencias de diseño y configuración.

## Funciones del enfriador de ventana MasterCool® MCP44



La carcasa y la estructura de este enfriador están realizados en un plástico reforzado y resistente a los rayos UV, lo que da como resultado un enfriador liviano y de fácil instalación. La unidad está construida en dos secciones básicas para posibilitar una rápida instalación dentro de ventanas a guillotina o corredizas.

El medio rígido de altísima eficiencia brinda un enfriamiento superior, comparado con otros enfriadores a evaporación.



**NOTA: ANTES DE INSTALAR LA UNIDAD, TÓMESE UN MOMENTO PARA ANOTAR EL NÚMERO DE SERIE Y ESCRIBIRLO EN LA CUBIERTA DEL MANUAL EN EL ESPACIO PROVISTO.**

## PROCEDIMIENTOS DE INSTALACIÓN

**ADVERTENCIA: No conecte la unidad hasta haber completado la instalación.**

El enfriador de ventana MasterCool MCP44 se puede instalar en una ventana a guillotina o corrediza. Como alternativa, esta unidad se aprobó para instalaciones empotradas. Todas las instalaciones requieren el siguiente espacio libre:

Ancho: 22"; Altura: 22" ; Es necesario un espacio libre de 4" por encima de la caja exterior para mantenimiento.

**NOTA:** Asegúrese de que la ubicación elegida para la instalación sea lo suficientemente resistente como para soportar el peso de la unidad y las piezas de montaje. El peso operativo del enfriador es de 93 libras.

**NOTA:** Se requieren al menos dos personas para instalar este enfriador de ventana.

### Piezas incluidas:

- Unidad de enfriamiento
- Soportes de montaje de antepecho de ventana (4)
- Juego de piezas de separadores de acordeón (2)

### Herramientas y materiales requeridos:

- Taladro (con cable o inalámbrico)
- Brocas surtidas (para realizar agujeros guía para las piezas de montaje)
- Llave ajustable
- Destornillador Phillips
- Silicona o masilla para todo tipo de clima para sellar el panel de relleno a la estructura de la ventana
- Tubería de cobre o plástico de ¼" de longitud
- Válvula de grifo de manguera
- Nivel de burbuja

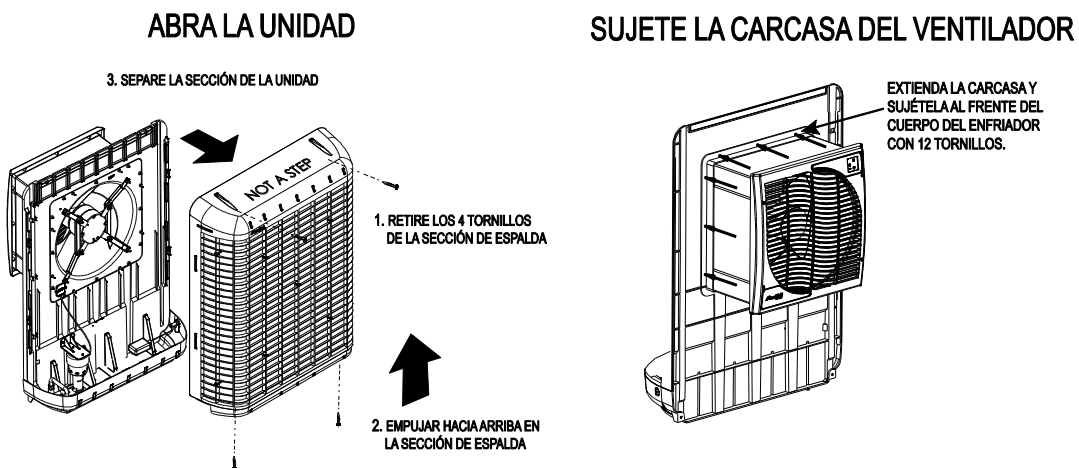
### Montaje del enfriador

Retire la unidad de la caja. Verifique que incluya todas las piezas.

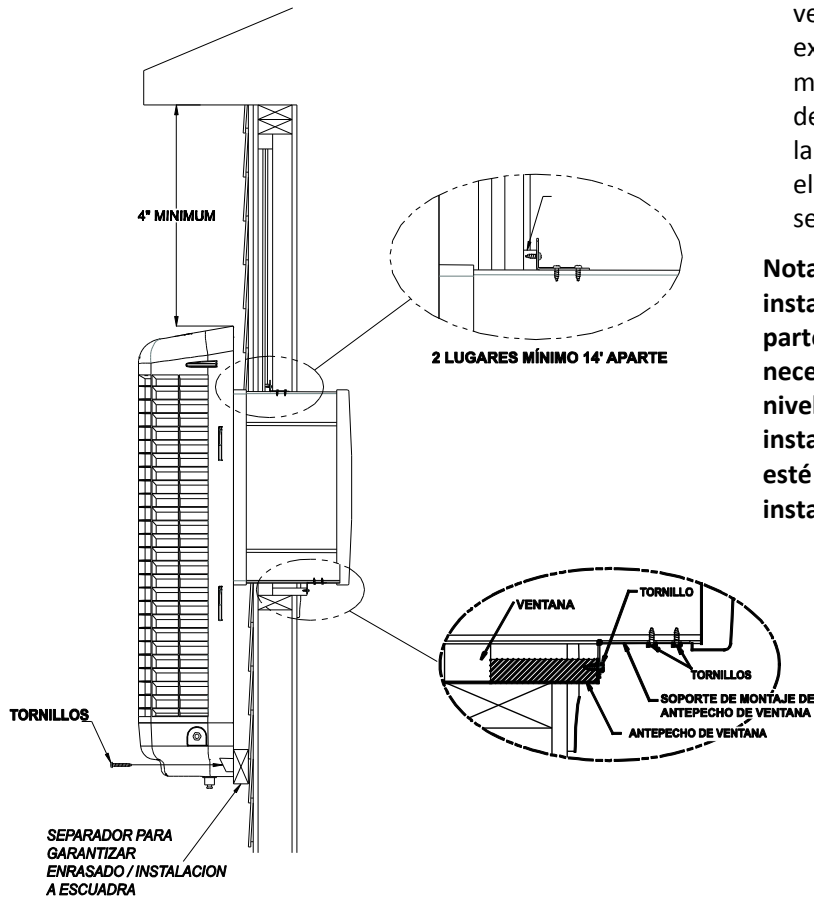
1. Retire todo el material de embalaje.

**EN CASO DE PREGUNTAS O SI ENCUENTRA QUE HAY PARTES FALTANTES, LLAME AL 1-800-643-8341**

2. Con la unidad en posición vertical, retire los 4 tornillos de la sección de espalda. Retire el módulo del ventilador hacia adelante (aproximadamente 6") hasta que esté totalmente encajado en la contrapieza y asegúrelo en su posición utilizando los 12 tornillos incluidos. Compruebe que el módulo esté fijo para evitar vibraciones entre las dos secciones.

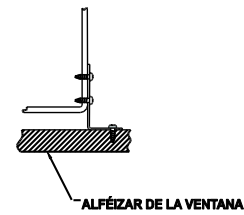


## Instalación en Ventana



1. Extraiga la pantalla y asegúrese de que la ventana esté abierta en toda su altura. Desde el exterior de la ventana, deslice la parte del módulo del ventilador en la ventana. Asegúrese de que la persona que esté en el interior ajuste la colocación exacta de la unidad para mantener el aspecto y las longitudes correctas de los dos separadores de acordeón (incluidos).

**Nota:** Después de identificar la posición de la instalación, coloque un nivel de burbuja en la parte superior de la unidad y realice los ajustes necesarios para asegurarse de que la unidad esté nivelada cuando se haya completado la instalación. Se recomienda verificar que la unidad esté nivelada en distintos puntos durante la instalación.

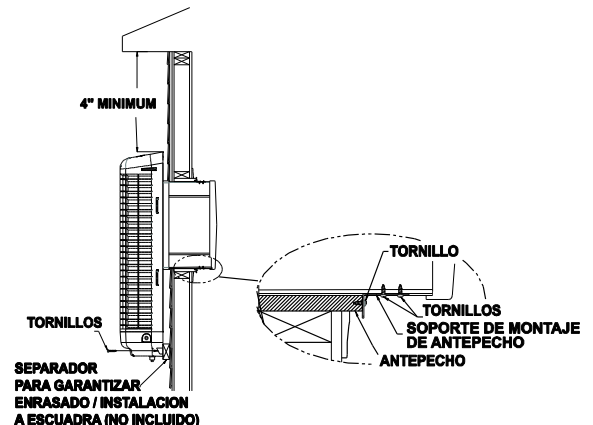
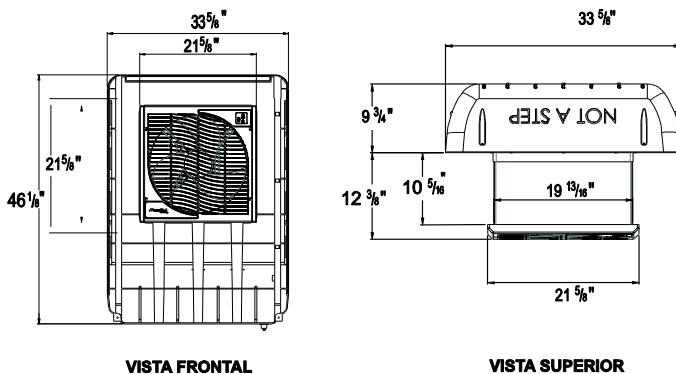


DE MONTAJE OPCIONAL

2. Cierre la ventana para ayudar a sostener la unidad en posición durante los siguientes pasos: Empuje la unidad dentro de la ventana hasta que el fondo quede al ras de la pared exterior o el separador (no incluido), tal como se ilustra.
3. Asegúrese de que la unidad esté nivelada. Desde el interior, ubique los dos rieles en el fondo del módulo del ventilador. Realice dos agujeros guía según sea necesario e instale los dos soportes del antepecho de la ventana, tal como se indica en la ilustración.
4. Asegure la parte superior de la carcasa del ventilador a la estructura de la ventana con dos soportes y tornillos adicionales.
5. Desde afuera, asegure la unidad a la pared exterior (o separador) con dos tornillos en la base de la tapa posterior (como indica la ilustración). Complete la instalación de la parte exterior con dos tornillos en la parte superior de la protección posterior del medio.
6. Una vez instalada la unidad a la ventana, acople un separador de acordeón a cada lado del módulo del ventilador con los bordes de fondo adhesivo. Pueden utilizarse tornillos cortos (no incluido) para obtener una instalación más segura. **(Cerciórese de que los tornillos no interfieran con las aspas del ventilador).**
7. Una vez instalados los separadores de acordeón, selle cualquier hueco que haya quedado alrededor de la unidad con silicona o masilla para todo tipo de clima.

## Instalación Empotrada

Este enfriador se aprobó para instalaciones empotradas. Póngase en contacto con un contratista autorizado para que instale el enfriador en una pared externa.

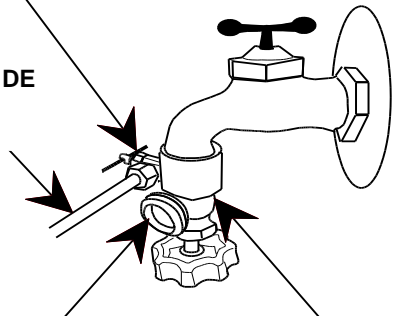


## VÁLVULA DE APAGADO

TUBERÍA AL ENFRIADOR DE PLÁSTICO O COBRE

CONEXIÓN DE MANGUERA ESTÁNDAR

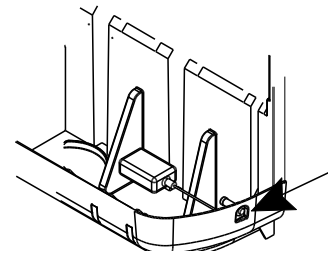
GRIFO DE MANGUERA



## Conexión de agua

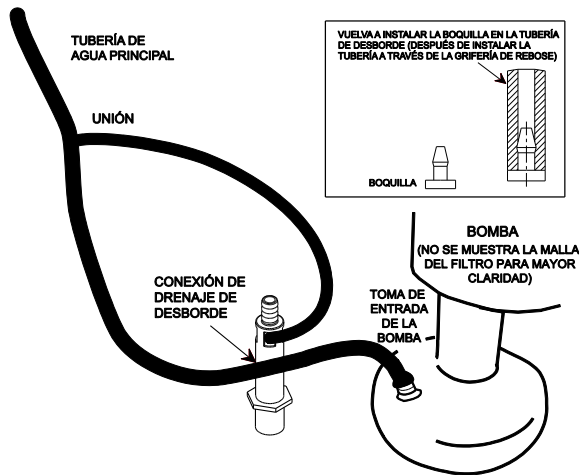
**NOTA:** Se necesitará un grifo de manguera estándar con válvula de agua acoplada (disponible a nivel local) para conectar el suministro de agua al enfriador.

1. Se requiere un suministro de agua constante para el funcionamiento del enfriador. Si se obtiene agua de un grifo externo, instale un grifo de manguera y una válvula de cierre.
2. Instale una tubería plástica o de cobre hasta el grifo de manguera y conéctela a la válvula de flotador.



## Bomba de agua y tuberías

Una bomba independiente hace circular el agua de forma continua a través del sistema de distribución de agua y del medio. La bomba y las tuberías de agua se envían sin conectar.

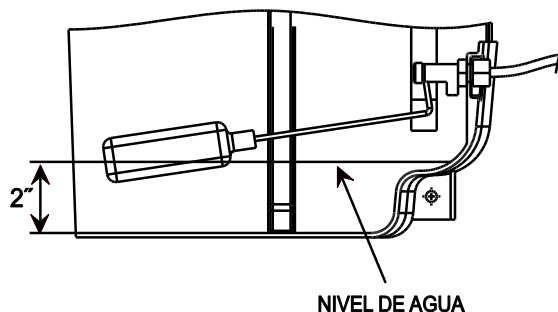
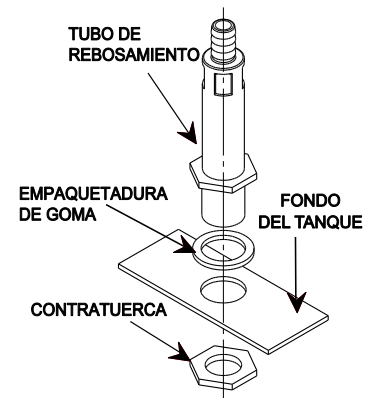


## Conecte las tuberías de agua

1. Ubique la tubería de agua negra insertada en los sujetadores de plástico dentro de la unidad.
2. Conecte el extremo inferior de la tubería de agua principal en la toma de entrada de la bomba.
3. Retire la boquilla insertada en el extremo de la tubería de desborde. Inserte la manguera de desborde en una de las ranuras en el interior de la conexión de drenaje de desborde.
4. Vuelva a insertar la boquilla en la tubería de desborde.
5. Conecte la parte superior de la manguera a la bandeja de distribución de agua.
6. Asegúrese de que no haya pliegues en las tuberías de agua una vez terminada la instalación.

## Desborde de Drenaje de agua

1. Deslice la arandela de goma sobre desbordamiento de drenaje y empuje a través del orificio desde la parte superior del enfriador, hacia la parte inferior.
2. Asegure el desbordamiento de drenaje por debajo de la bandeja con la contra tuerca. Asegure que la arandela no se tuerza mientras se la está apretando, pues esto puede causar filtración. **NO LA APRIETE DEMASIADO.**
3. Si ocurre una filtración después de llenar el tanque, vuelva a apretar el tubo de rebosamiento hasta detener la filtración. Puede usarse una pequeña cantidad de calafate con silicona de ser necesario.
4. Conecte drenar manguera hasta el fondo del montaje como sea necesario.

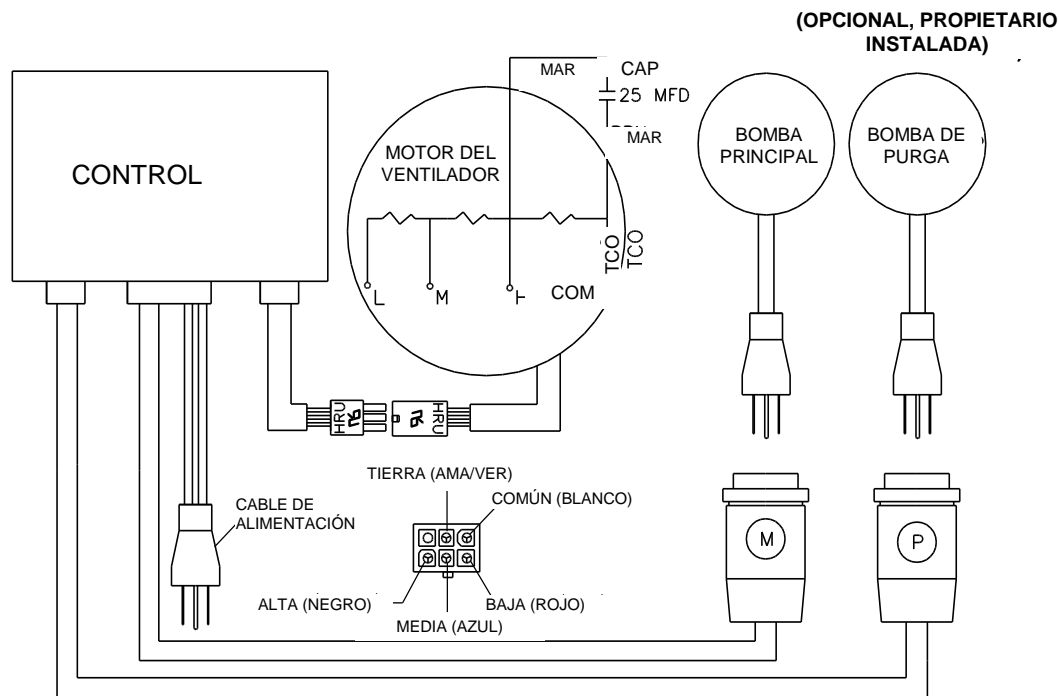


## Nivel de agua

Deben mantenerse dos pulgadas de agua en el fondo del enfriador para garantizar el agua suficiente para un correcto funcionamiento del enfriador. El flotador viene instalado de fábrica como para mantener 2" de nivel de agua, pero puede requerir un ajuste si el transporte o la instalación causaron algún cambio en la configuración.

## Sistema eléctrico

El sistema eléctrico no requiere mantenimiento general. El siguiente diagrama de cableado es sólo a modo de referencia.



### ESPECIFICACIONES ELÉCTRICAS DE LOS ENFRIADORES MCP44

<b>MCP44</b>	Motor de ventilador: 120 V; 2.8 Amperios	La bomba principal: 120 V; 0.9 Amperios
Si la bomba de purga (opcional) se instala		Adicional 0.9 Amperios

### Uso del termostato complementario

El MCP44 puede controlarse mediante un termostato programable complementario. Estos termostatos pueden adquirirse a nivel local y permiten un control preciso del tiempo y la temperatura a través de un termostato electrónico que se conecta a un tomacorriente de 110 V. Para utilizar dicho dispositivo con el MCP44, siga las instrucciones para ese termostato en particular y conecte el enfriador al tomacorriente en el termostato.

### Opcional Bomba de purga

Además de la bomba de agua estándar para recircular el agua desde el depósito, una bomba de purga se pueden instalar para evacuar el contenido del depósito cada 6 horas. Esto ayuda a retardar el crecimiento bacteriano y la acumulación mineral en el medio y así prolongar su vida útil. También conserva el aire más fresco dentro del hogar. En realidad, el uso de una bomba de purga resulta más económico que una tubería de purga continua. El kit de bomba de purga (n.º de pieza: MCP44-PPK) para esta unidad puede adquirirse a nivel local o en línea.

### Descarga de la bomba de purga

**NOTA:** El agua arrojada en el momento de la purga saldrá expulsada a gran velocidad y se la debe alejar de los cimientos de la casa u otras áreas donde pudiera ocasionar daños.

1. Anexe una manguera de agua estándar al drenaje de desborde para dirigir el agua afuera de la casa.

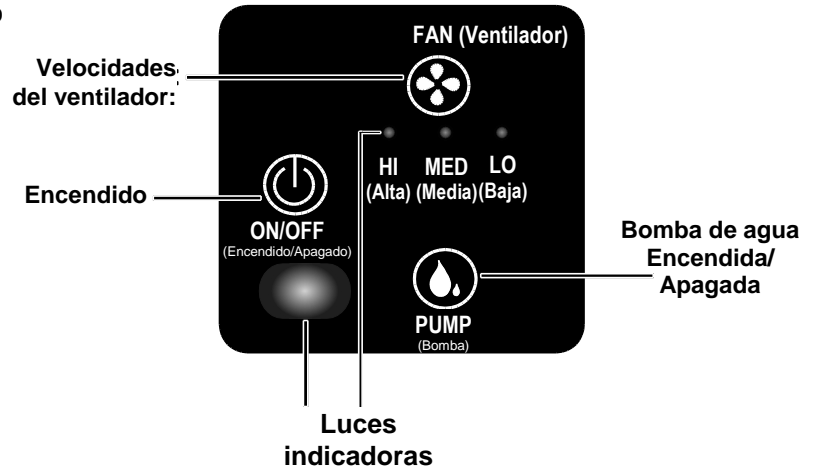
**NOTA:** Esta agua no es potable pero puede utilizarse para regar huertos o jardines.

## INSTRUCCIONES DE USO

El enfriador posee un panel de control electrónico táctil en la esquina superior derecha.

Antes de encender la unidad, asegúrese de que está conectada, que el suministro de agua a la bomba está encendido y que se cuenta con una correcta ventilación, tal como se indica en la página 16 de este manual.

**Nota:** Estas unidades se pueden controlar por medio de 3 botones ubicados en el panel frontal del enfriador o con control remoto.



### On/Off (Encendido/Apagado)

Este botón enciende la unidad. Cuando se la conecta por primera vez, (o después de un corte de energía), presione el botón ON/OFF (Encendido/Apagado) para encender la unidad en la configuración predeterminada (la bomba encendida y el ventilador en HI (Alta)). Luego del uso inicial, se restituirá la última configuración utilizada (para ventilador y bomba) cuando se encienda nuevamente la unidad.

Al presionar este botón mientras la unidad todavía está funcionando, se apagarán el ventilador y la bomba.

### Después de un fallo de alimentación:

Cuando se restablezca la alimentación, la unidad se reiniciará con la misma configuración que antes de que se interrumpiera la alimentación.

### Pump (Bomba)

Este botón alterna la bomba entre encendida y apagada. Cuando el LED está encendido, indica que la bomba está funcionando.

La bomba debe estar encendida mientras funciona el ventilador para que la unidad funcione como un Enfriador Evaporativo de Ventana aunque, si lo desea, también la puede utilizar en modo ventilador sin la bomba.

**Nota:** Para mejores resultados, encienda la bomba durante unos minutos para humedecer las almohadillas antes de hacer funcionar el ventilador.

### Fan (Ventilador)

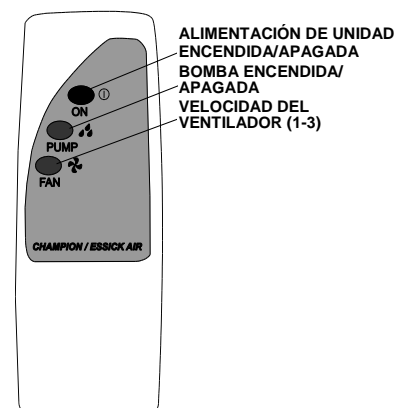
Al presionar el botón del ventilador, la unidad varía la velocidad de HI (Alta) a MED (Media), a LO (Baja) y a OFF (Apagado).

**Nota:** Se produce **una demora de dos segundos** desde que se presiona el botón hasta que el ventilador engrana o cambia de velocidad. Esto sucede tanto con el panel de control frontal como con el control remoto.

### Control remoto

El control remoto incluido con este enfriador le permite encender o apagar la unidad, controlar la velocidad del ventilador e iniciar la bomba. Los botones funcionan de la misma manera que los del panel de control frontal.

El alcance del control remoto es de aproximadamente 20 pies en relación al enfriador. Utiliza dos baterías alcalinas AA (incluidas). También se incluye un soporte para pared con el enfriador.



## Servicio Usuario Instrucciones

El mantenimiento en enfriadores evaporativo es mínimo, pero sí muy importante para un funcionamiento y eficacia adecuados. La inspección periódica del interior del enfriador reducirá la posibilidad de un enfriamiento deficiente debido a una distribución de agua insuficiente o irregular.

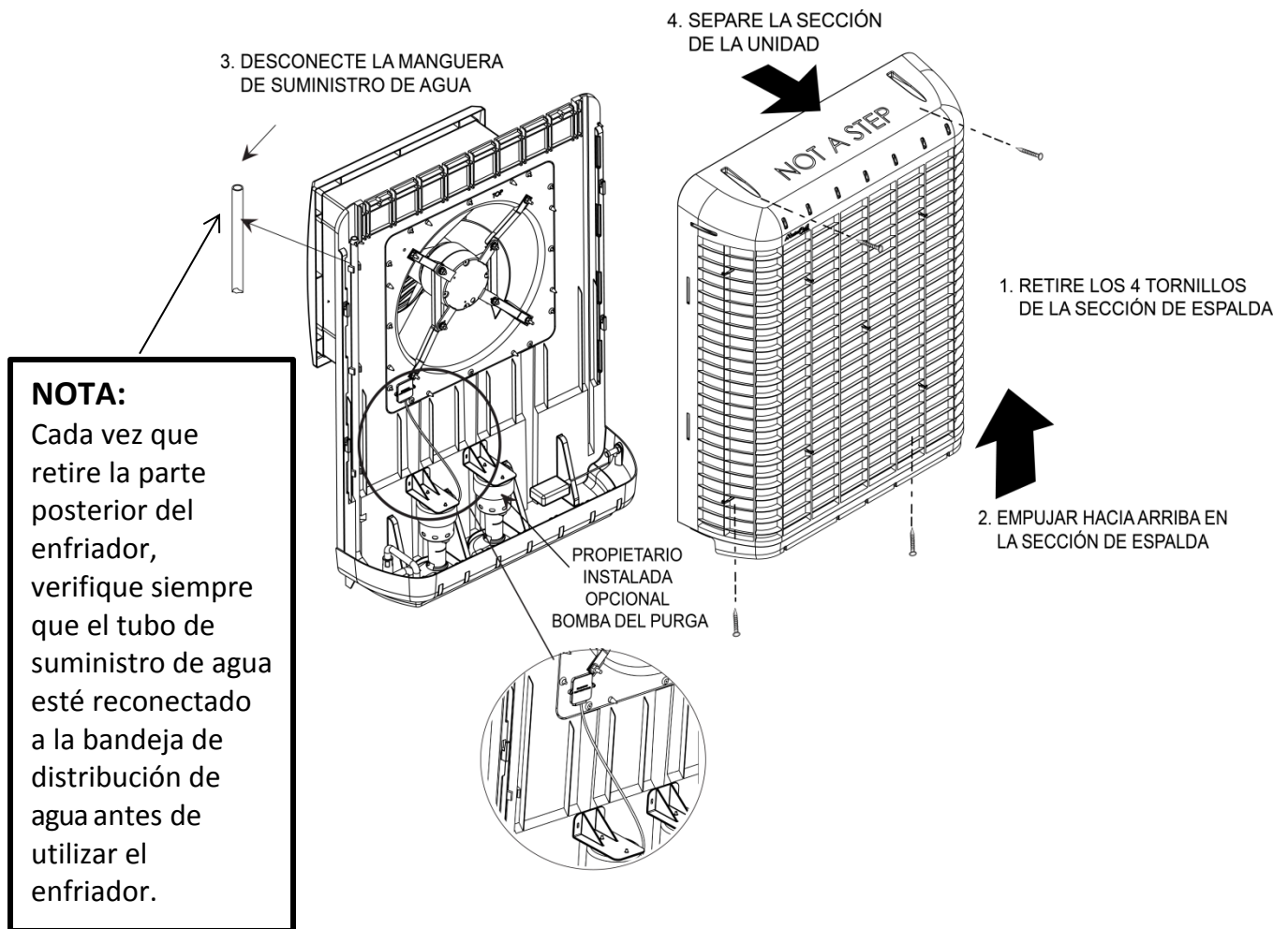
**NOTA:** Para tareas de mantenimiento general, la unidad puede drenarse rápidamente al retirar la grifería de rebose del fondo. Éste **no** es el drenaje apropiado para el acondicionamiento para el invierno (ver procedimientos en la sección Acondicionamiento para el invierno).

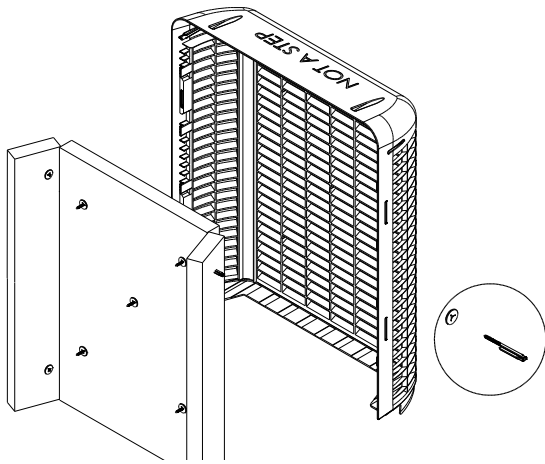
### Mantenimiento anual (puede ser necesaria una mayor frecuencia en áreas con aguas duras)

#### Limpieza

**PRECAUCIÓN:** Desconecte la alimentación eléctrica y apague la unidad durante todas las tareas de mantenimiento. Cierre el suministro de agua antes de retirar el fondo por limpieza o mantenimiento.

1. Retire la protección del medio posterior (como se indica abajo).
2. Inspeccione las almohadillas en su sitio. Retire las almohadillas del medio de la protección posterior desatornillando los ganchos de sujeción. Tenga cuidado de no dañar el medio mientras los retira. Examine visualmente ambas caras de las almohadillas del medio. Observe si hay alguna obstrucción, acumulación mineral o crecimiento de moho, rotura o alguna otra anomalía.





3. Lave las almohadillas con una manguera de jardín. No utilice una lavadora a presión.
4. Controle el distribuidor de agua por si existe obstrucción o excesiva acumulación de polvo.
5. Coloque el medio en un lugar seguro hasta que termine con todo el mantenimiento.
6. Lave el depósito de manera exhaustiva con un cepillo de cerdas suaves. Utilice abundante agua si es necesario, para remover el crecimiento de algas. Limpie las áreas alrededor de la bomba, el filtro y el flotador para asegurarse de que no quedan restos de algas.

**ADVERTENCIA:** No utilice químicos abrasivos (tales como blanqueadores) para limpiar las partes interiores del enfriador. No utilice limpiadores abrasivos en el exterior del cuerpo del enfriador para conservar su resistencia a los rayos UV.

7. Enjuague minuciosamente después de haber utilizado cualquier solución de limpieza en el interior o el exterior de la unidad.

#### **Bomba del sistema de agua:**

1. La bomba de agua es una unidad independiente que no requiere más mantenimiento que evitar que los residuos o la corrosión interfieran en el libre movimiento de las piezas.
2. Cerciórese de que la conexión de la manguera a la bomba esté en buenas condiciones.

#### **Flotador de agua:**

1. El nivel del flotador está ajustado de fábrica para un rendimiento óptimo; sin embargo, se pueden realizar leves ajustes doblando el brazo del flotador para un nivel de agua diferente.
2. El nivel de agua máximo recomendado es aproximadamente de dos pulgadas (la altura del orificio de desborde).

#### **Distribuidor de agua**

1. Revise la sección de distribución de agua para asegurarse de que todos los orificios están sin obstrucciones.
2. Verifique que las conexiones de la manguera estén en buen estado y no haya ningún pliegue o rotura.

#### **Desborde de drenaje de agua**

1. Desenrosque el tubo de desborde de drenaje y controle el estado de la junta en el fondo del accesorio. Cuando lo reinstale, asegúrese de que el accesorio del tubo montante esté bien sujeto y no haya fugas después de llenar el depósito.

**NOTA:** Si mientras utiliza el enfriador comienza a notar una baja saturación de las almohadillas y un enfriamiento insuficiente, o fugas desde el enfriador, revise la junta tórica en la base del tubo montante. Esta es la causa más probable de fuga en esta unidad.

#### **Opcional Bomba de purga de agua (si instalada)**

1. Si la bomba de purga es instalada verificar la bomba de purga y el filtro estén sin corrosión y que las piezas se muevan libremente.

## Acondicionamiento para el invierno

El enfriador MCP44 es lo suficientemente duradero como para dejarlo instalado durante el invierno, aunque hay que tomar algunas precauciones para garantizar que el agua no se congele en la unidad o las tuberías.

Si en su área las temperaturas descienden a varios grados bajo cero, es conveniente retirar la tubería de suministro de agua del grifo exterior.

### Drenaje

#### MCP44 (sin bomba de purga):

1. Cierre el suministro de agua al enfriador.
2. Apague y desconecte el enfriador.
3. Retire los cuatro tornillos que fijan la protección posterior del medio y el acceso al interior de la unidad.
4. Absorba todo resto de agua y asegúrese de drenar toda el agua tanto de la bomba de agua.
5. Desconecte y drene las mangueras de agua y el distribuidor de agua.
6. Vuelva a colocar la protección del medio.

#### MCP44 (con opcional propietario- instalada bomba de purga):

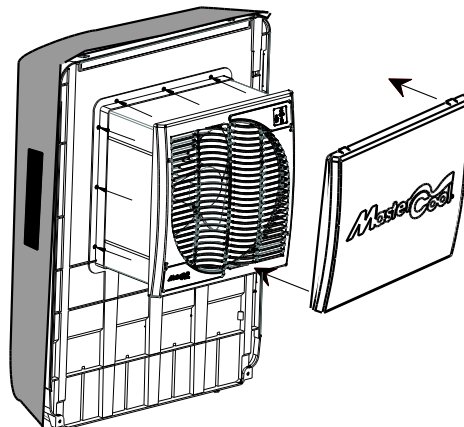
1. Cierre el suministro de agua al enfriador.
2. Apague y desconecte el enfriador. Retire los 4 tornillos que fijan la protección posterior del medio y el acceso al interior de la unidad.
3. Absorba todo resto de agua y asegúrese de drenar toda el agua tanto de la bomba de agua como de la bomba de purga.
4. Desconecte y drene las mangueras de agua y el distribuidor de agua.

### Cubrimiento

1. Cubra la parte externa del enfriador con una bolsa resistente y fíjela con tiras de una cinta gruesa.

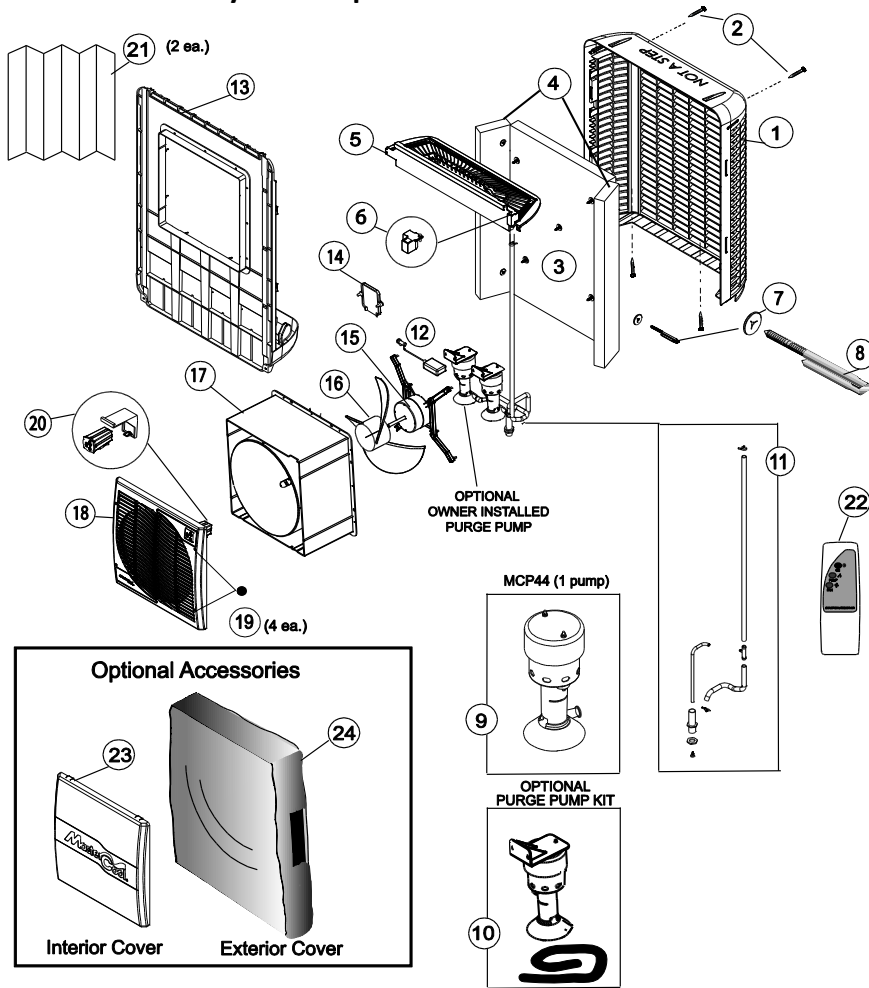
**NOTA:** Se encuentra disponible una cubierta para el enfriador MasterCool® MCP44 en [www.championcooler.com](http://www.championcooler.com) y en establecimientos minoristas.

2. También encontrará en [Championcooler.com](http://Championcooler.com) o en establecimientos minoristas una cubierta interior de rejilla para evitar que el aire entre a su hogar a través de la ventana.
  - a. Cierre a presión los ganchos dentro de la cubierta para fijarla a la rejilla.





## Diagrama del enfriador y lista de piezas



Artículo	Descripción	Pieza N <sup>o</sup>
1	Parte trasera del enfriador/Protección del medio	72243
2	Juego de 4 tornillos para la fijación de la sección posterior	72303
3	Almohadilla posterior del medio ; 2" X 24" X 35,5" CelDek	72244
4	Almohadilla lateral del medio; 2" X 5,88" X 35,5" CelDek (2 c/1)	72245
5	Bandeja del distribuidor de agua	72249
6	Tapón de la bandeja	72250
7	Gancho de sujeción del medio; enfriador de ventana; PP (4 c/1)	72246
8	Clavija del medio; enfriador de ventana; PP (4 c/1)	72247
9	Bomba – Sistema de agua principal	72402
10	Kit de la bomba de purga (accesorio opcional)	MCP44-PPK
11	Conjunto de manguera de distribución de agua de MCP44	72256
12	Válvula de flotador	72290
13	Frente del cuerpo del enfriador	72242
14	Receptáculo cubierta	72407
15	Motor del ventilador	72428
16	Aspa del ventilador	72253
17	Carcasa del ventilador	72251
18	Rejilla	72257
19	Tapas roscadas de la rejilla	72260
20	Módulo de control	72258
21	Panel de ventana de acordeón de vinilo (2 c/1)	72284
22	Control remoto	72302
23	Cubierta Interna – Disponible para Compra	MCP44-IC
24	Cubierta Externa - Disponible para Compra	MCP44-EC

**Tabla de solución de problemas**

<b>PROBLEMA</b>	<b>CAUSA PROBABLE</b>	<b>SOLUCIÓN</b>
No arranca la unidad	<ul style="list-style-type: none"> <li>a. No hay energía</li> <li>b. Disyuntor activado</li> <li>c. Fusible quemado (en casa)</li> <li>d. Falla eléctrica</li> </ul>	<ul style="list-style-type: none"> <li>a. Compruebe que la unidad esté conectada y que el tomacorriente esté operativo</li> <li>b. Restablezca el disyuntor</li> <li>c. Reemplace el fusible en casa</li> <li>d. Llame a la línea telefónica de ayuda de Champion</li> </ul>
Enfriamiento deficiente	<ul style="list-style-type: none"> <li>a. Distribución de agua inadecuada (almohadillas no saturadas)</li> <li>b. Almohadillas sucias o cubiertas de sedimentos minerales</li> </ul>	<ul style="list-style-type: none"> <li>a. Revise la bandeja de distribución de agua y la manguera por si existen obstrucciones.                             <ul style="list-style-type: none"> <li>- Compruebe que la bomba funciona correctamente</li> <li>- Revise que el suministro de agua tenga el caudal correcto</li> </ul> </li> <li>b. Lave las almohadillas para eliminar polvo y sedimentos o reemplácelas.</li> </ul>
Agua en la corriente de aire	<ul style="list-style-type: none"> <li>a. El sistema de agua tiene fugas o conexiones sueltas</li> <li>b. Las almohadillas del medio no absorben el agua, que entra directamente al flujo de aire</li> </ul>	<ul style="list-style-type: none"> <li>a. Revise todas las conexiones de agua, tuberías y bandeja de distribución para verificar que no haya conexiones sueltas, fugas o roturas.</li> <li>b. Controle el estado de las almohadillas. Limpie o reemplácelas si fuese necesario.</li> </ul>
Alta humedad interior	<ul style="list-style-type: none"> <li>a. Insuficiente flujo de aire</li> <li>b. Escape insatisfactorio</li> </ul>	<ul style="list-style-type: none"> <li>a. Aumente la velocidad del ventilador</li> <li>b. Abra más las puertas o ventanas</li> </ul>
Olor en el hogar	<ul style="list-style-type: none"> <li>a. Crecimiento bacteriano en el depósito</li> <li>b. La toma de aire está recogiendo el olor ambiental de los alrededores</li> </ul>	<ul style="list-style-type: none"> <li>a. Limpie la unidad con desinfectante de manera regular o agregue líquido bactericida dentro del tanque de agua</li> <li>b. Retire la fuente de olor o mueva el enfriador a otra ventana</li> </ul>
Rápida acumulación mineral en las almohadillas del medio	<ul style="list-style-type: none"> <li>a. Aguas duras</li> </ul>	<ul style="list-style-type: none"> <li>a. Incremente el ciclo de mantenimiento y retire el sarro con más frecuencia. Controle que los orificios estén sin obstrucción de acumulación mineral</li> </ul>

**PÓLIZA DE GARANTÍA LIMITADA DEL ENFRIADOR DE VENTANA PLÁSTICO  
MASTERCOOL  
VÁLIDA AL 1 DE NOVIEMBRE DE 2013:**

**PARA CUALQUIER RECLAMO RELACIONADO CON LA GARANTÍA ES NECESARIO PRESENTAR EL RECIBO COMO PRUEBA DE COMPRA.**

Este producto posee garantía por defectos en la fabricación y en los materiales según se detalla a continuación:

Un año desde la fecha de venta, excepto:

Dos años desde la fecha de venta para el motor y bomba(s).

Cinco (5) años limitada para las almohadillas del medio.

Esta garantía es aplicable solamente al comprador original del producto siempre que haya adquirido el producto en una tienda o un distribuidor de buena reputación.

Esta garantía no es aplicable a productos que se hayan dañado como consecuencia de accidentes, uso indebido, alteraciones, reparaciones no autorizadas, uso no autorizado, manipulación incorrecta, uso no razonable, abuso, incluida la falta de mantenimiento razonable, el desgaste normal o cuando la tensión de conexión supera en más de 5% aquella especificada en la placa del fabricante. Asimismo, esta garantía tampoco es aplicable al equipo o a los productos que fueran instalados, conectados o sometidos a mantenimiento de forma incorrecta sin seguir las especificaciones de este Manual del Usuario.

Las alteraciones incluyen la sustitución de componentes de marca, incluidas, entre otros, las almohadillas del medio.

Esta garantía no cubre daños causados por elementos relacionados a factores climáticos como viento, lluvia, rayos o inundaciones, así como tampoco aquellos relacionados a condiciones ambientales como aire salobre o daños causados por picos de tensión u otras fluctuaciones de energía.

No se aceptará ninguna responsabilidad por daños ocasionados por alimañas, plagas, mascotas o animales de granja.

No asumimos responsabilidad alguna por ningún daño o pérdida de contenidos, alfombras, paredes, cimientos o cielorrasos producidos como consecuencia directa o indirecta de una instalación o funcionamiento inadecuados.

ESTE PRODUCTO NO FUE DISEÑADO PARA USO COMERCIAL. LA PRESENTE ES LA ÚNICA GARANTÍA QUE OFRECE EL FABRICANTE CON RESPECTO A LOS PRODUCTOS Y, HASTA EL GRADO MÁXIMO PERMITIDO POR LA LEY, REEMPLAZA A CUALQUIER OTRA GARANTÍA, POR ESCRITO O TÁCITA, QUE OPERE DE PLENO DERECHO O DE OTRA FORMA. SE INCLUYE, SIN LIMITACIONES, LA COMERCIALIZACIÓN Y/O APTITUD PARA UN PROPÓSITO EN PARTICULAR.

Ningún empleado, agente, distribuidor u otra persona se encuentra autorizado a brindar garantías o condiciones en nombre del fabricante. El cliente será responsable por todos los costos relacionados con el retiro o la reinstalación y del producto para su reparación.

**Dentro de las limitaciones de esta garantía, el comprador que posea unidades que no funcionen correctamente debe contactarse con el servicio de atención al cliente al 800-643-8341.** Es necesario presentar una copia del recibo de compra y el número de serie para cualquier reclamo relacionado con la garantía.

Esta garantía se anulará si el comprador intenta reparar o reemplazar cualquier componente mecánico o eléctrico no suministrado por el fabricante.

Esta garantía le confiere al cliente derechos específicos. Además, el cliente puede gozar de otros derechos que varían según la provincia o el estado.



MasterCool de Champion Cooler  
5800 Murray St.  
Little Rock, AR 72209  
800.643.8341  
[www.championcooler.com](http://www.championcooler.com)

## IMPORTANT INFORMATION / MAINTNENANCE LOG

### INFORMACIÓN IMPORTANTE / MANTENIMIENTO DE LOS REGISTROS

We recommend keeping a maintenance log for each year. The following table is a suggested format supplied for your convenience. *Se recomienda mantener un registro de mantenimiento para cada año. La siguiente tabla es una propuesta de formato suministrado por su convnience.*

Model Number / Número de modelo \_\_\_\_\_

Date of Purchase / Fecha de compra \_\_\_\_\_

Location of Purchase/ localización de la compra \_\_\_\_\_

	Preseason check/ <i>Compruebe la pretemporada</i>	Mid season Check/ <i>Comprobar mitad de temporada</i>	End of Season Check
Media pads/ <i>Almohadilla del medio</i>			
Fan/ <i>Ventilador</i>			
Pump/ <i>Bomba</i>			
Operation/ <i>Operación</i>			
Bleed off; purge/ <i>Desborde de drenaje de agua;purga</i>			

**CALL 1-800-643-8341 IF YOU HAVE ANY QUESTIONS OR WANT TO ORDER PARTS.**

**THANK YOU FOR BUYING THIS PRODUCT.**

**PLEASE VISIT OUR WEBSITE FOR MORE FINE PRODUCTS MADE BY THE  
ESSICK / CHAMPION / MASTERCOOL FAMILY:**

**WWW.CHAMPIONCOOLER.COM**

**THIS PRODUCT DESIGNED, ASSEMBLED AND SERVICED IN THE USA**

