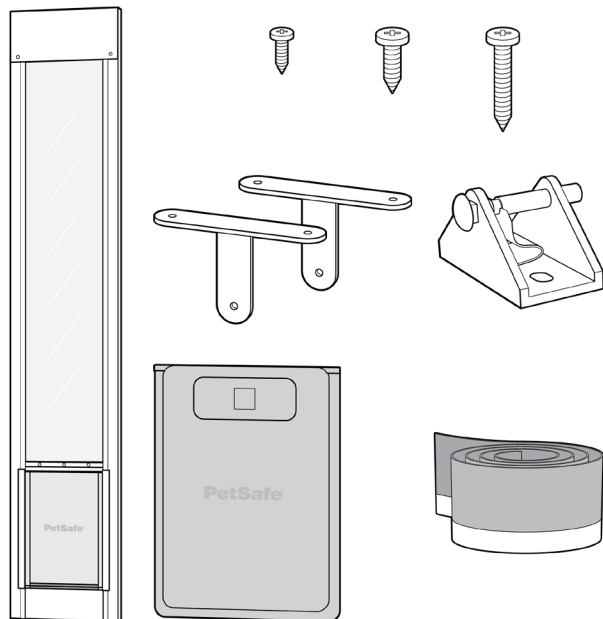


How to Temporarily Install the PetSafe® Sliding Glass Pet Door – 1 Piece

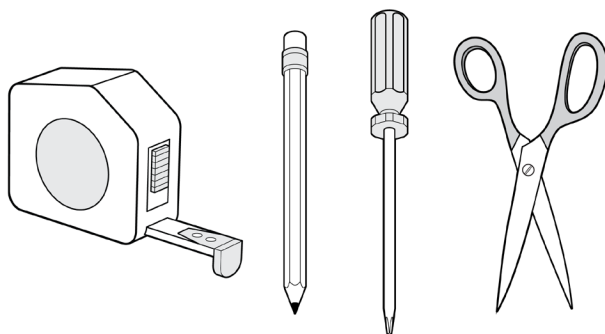
Important Information

For homes with security systems, contact your provider before installation. Sensors may need to be moved to avoid interference.

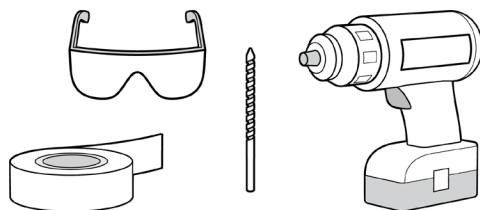
What is Included:



Tools You Will Need:

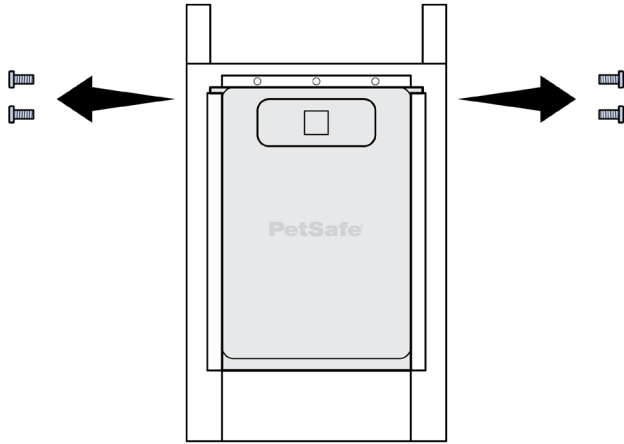


Optional

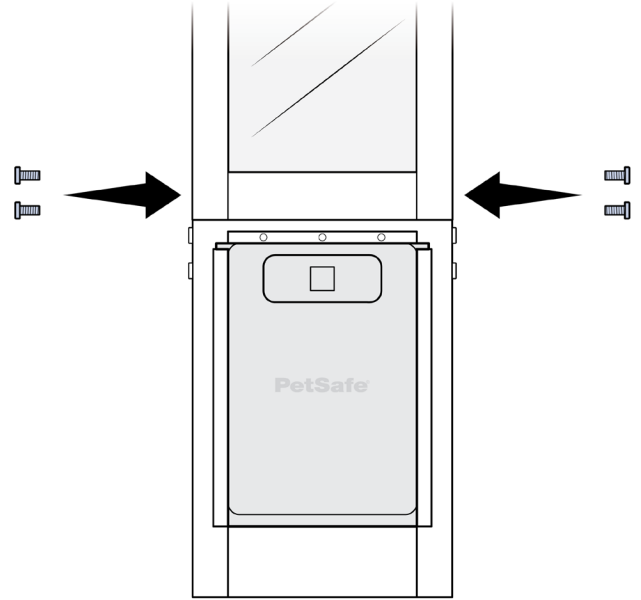


Assembly for the 96 inch Pet Door Panel

If you purchased a 96 inch Patio Panel, first assemble the bottom section to the top section before proceeding with the installation.



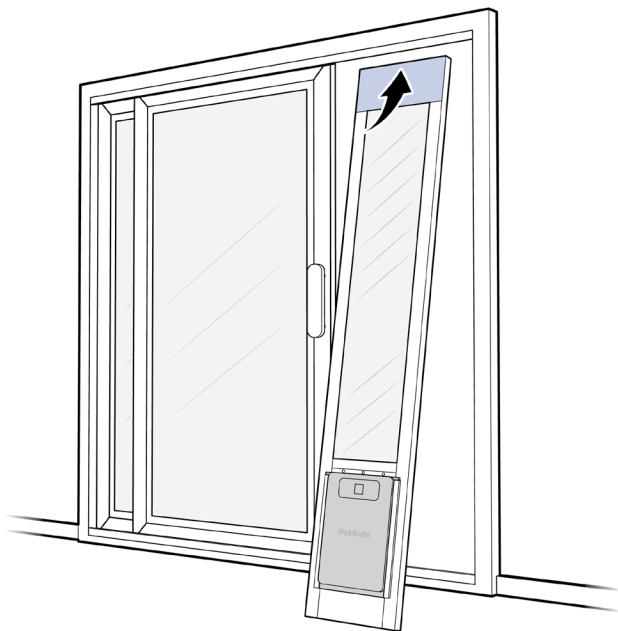
- 1 Remove the four factory-installed screws from sides of connection bars on bottom door section.



- 2 Slide the top panel onto the connecting bars. Using a manual flathead screwdriver, secure with two short flat screws on each side and tighten until resistance is felt.

Do not overtighten. Overtightening can warp the pet door frame.

Insert the Pet Door Panel

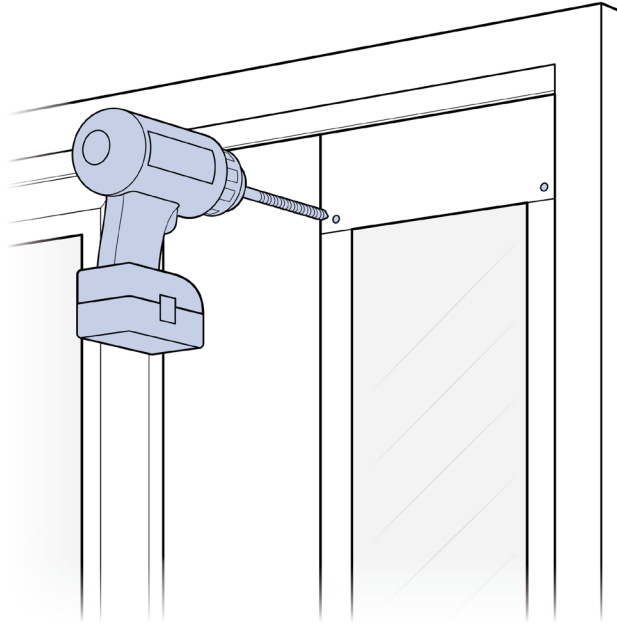


- 1 Remove the cardboard inserts from under the height adjuster. With the sliding door opened, insert the pet door panel into the interior side upper door track of the sliding glass door.



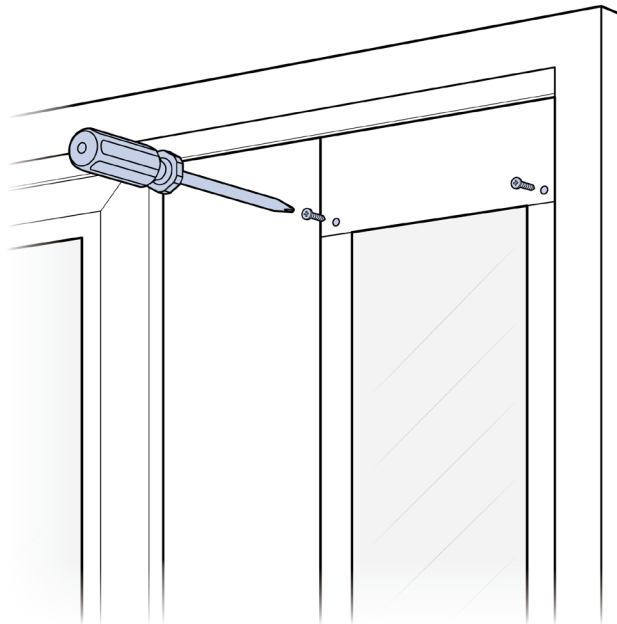
- 2 Ensure the side of the patio panel with the flap screw heads visible is facing to the interior. Press up to compress the spring-loaded height adjuster, then lift the bottom of the pet door panel into the lower door track.

Secure the Height Adjuster



- 1 Make sure the height adjuster is fully extended and not tilted to one side. Ensure both the top and bottom of the panel are properly seated in the track.

Drill through both pre-drilled holes on the height adjuster using the 7/64 inch drill bit.



- 2 Secure the height adjuster in place using two #6 1/2 inch screws with a Phillips screwdriver. Slide the pet door panel back against door jamb. Make sure it is flush without any gaps.

Additional Security

An optional security bar can be purchased and installed for additional security. If you would like to learn more or purchase the security bar, visit our website [here](#).

If you have already purchased the security bar, visit our article [How to Install and Use the PetSafe® Sliding Glass Pet Door Security Bar](#) for detailed instructions.