

RollerPRO

Roller Pumps

Roller Pumps & Accessories

Delavan Roller pumps offer flexibility in all your spraying applications, and robust enough to deliver 3-24 gallons from your PTO! Delavan roller pumps are the only roller pumps that offers in-field serviceability.

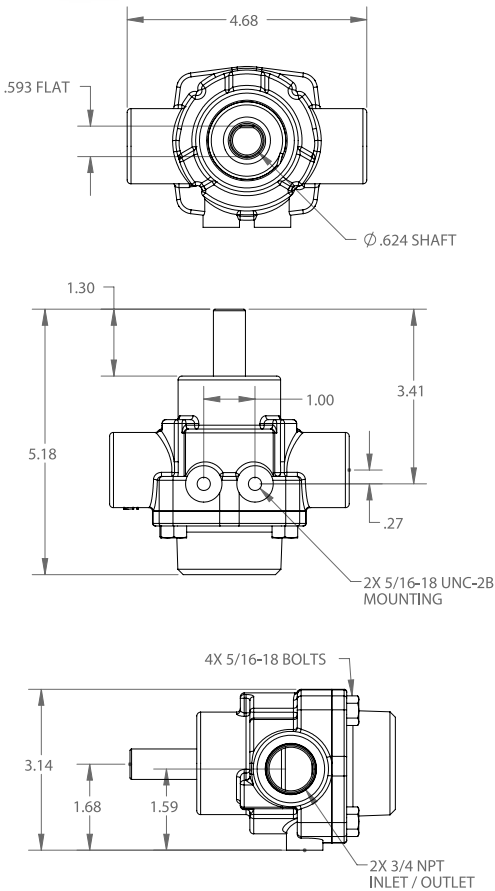


DELAVAN

Discover the Delavan Difference

RollerPRO

Roller Pumps



4900 Series

4900C – 9.2 GPM Pump / Cast Iron
5/8" Solid Shaft, Clockwise Rotation

4901C – 9.2 GPM Pump / Cast Iron 1/2" Hollow Shaft,
Clockwise Rotation

4900DSS – 9.2 GPM Pump / Diamond Stainless Steel
5/8" Solid Shaft, Clockwise Rotation Roundup® Ready

4901DSS – 9.2 GPM Pump / Diamond Stainless Steel
5/8" Solid Shaft, Clockwise Rotation Roundup® Ready

Pump:

Type: 4-roller design
Max Pressure: 150 PSI
Max Recommended Temperature: 140°F
Port Size: 3/4" FNPT
Mounting: Base Mounted: 5/16" – 18UNC-2B (2 holes)
Weight: 5 lbs

Materials of Construction:

Pump Housing: Cast Iron or Stainless Steel
Rollers: 1/2" Ultra Rollers
Shaft Seals: Viton cartridge type lip seals
Shaft & Rotor:
C: Extra-fine finish 404 SST
DSS: Extra-fine finish 416 SST
Bearings: Permanently-lubricated, heavy-duty sealed bearings

4900 Series Performance

PSI	1800 RPM	2200 RPM	2600 RPM
0	6.3	7.7	9.2
20	5.8	6.9	8.5
40	5	6.2	7.9
60	4.4	5.6	7.5
80	3.8	5.2	7.2
100	3.4	4.8	6.8



6900 Series

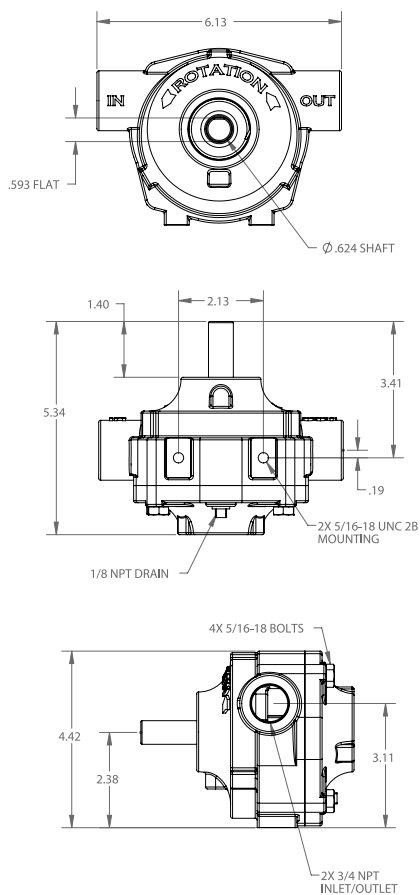
- 6900C – 19.6 GPM Pump/ Cast Iron
- 6900CR – 19.6 GPM Pump/ Cast Iron Reverse Rotation/Clockwise
- 6601C – 19.6 GPM Pump/ Cast Iron Rear Ports (Not Field Serviceable)
- DKP-6900C – 19.6 GPM Pump/ Cast Iron
- #90200 Coupler and Torque Arm Kit
- 6900DSS – 19.6 GPM Pump/ Diamond Stainless Steel
- 6900DSSR – 19.6 GPM Pump/ Diamond Stainless Steel Reverse Rotation / Clockwise
- DPK-6900DSS - 19.6 GPM Pump/ Diamond Stainless Steel
- #90200 Coupler and Torque Arm Kit

Pump:

- Type: 6-roller design
- Max Pressure: 300 PSI
- Max Recommended Temperature: 140°F
- Port Size: 3/4" FNPT
- 6900: side ports
- 6901: rear ports – Not field serviceable
- Mounting: Base Mounted: 5/16" – 18UNC-2B (2 holes)
- PTO: Use Torque Bar and Chain Weight: 9 lbs

Materials of Construction:

- Pump Housing: Cast Iron or Stainless Steel
- Rollers: 1/2" Ultra Rollers
- Shaft Seals: Viton cartridge type lip seals
- Shaft & Rotor: C Extra-fine finish 404 SST
- DSS: Extra-fine finish 416 SST
- Bearings: Permanently-lubricated, heavy-duty sealed bearings

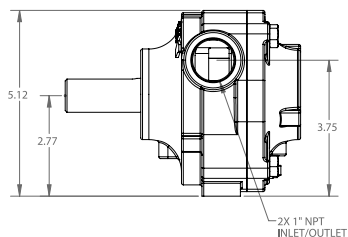
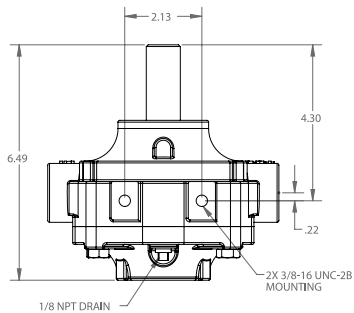
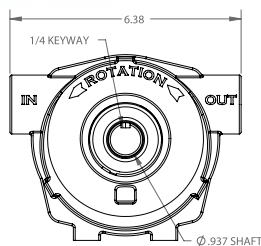


6900 Series Performance

PSI	540 RPM	1000 RPM	1200 RPM
0	10.5	19.6	22.8
20	9.7	19.0	22.0
40	8.6	18.4	21.3
60	6.9	16.3	19.7
80	4.8	13.9	17.9
100	3.0	11.5	15.8

RollerPRO

Roller Pumps



7900 Series

7900C – 22.5 GPM Pump/ Cast Iron

7900DSS – 22.5 GPM Pump/ Diamond Stainless Steel

Pump:

Type: 7-roller design

Max Pressure: 200 PSI

Max Recommended Temperature: 140°F

Port Size: 1" FNPT

Mounting:

Base Mounted: 3/8"– 18UNC-2B (2 holes)

PTO: Use Torque Bar and Chain

Weight: 14 lbs

Materials of Construction:

Pump Housing: Cast Iron or Stainless Steel

Rollers: 3/4" Ultra Rollers

Shaft Seals: Viton cartridge type lip seals

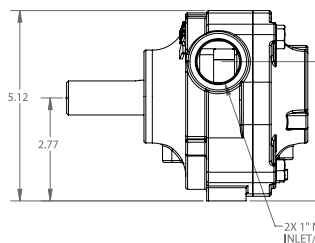
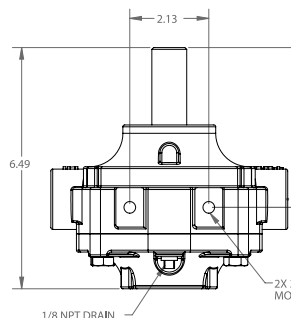
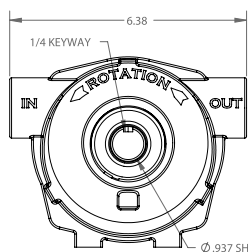
Shaft & Rotor: C Extra-fine finish 404 SST

DSS: Extra-fine finish 416 SST

Bearings: Permanently-lubricated, heavy-duty sealed bearings

7900 Series Performance

PSI	540 RPM	650 RPM	850 RPM
0	15.2	17.7	22.5
20	14.5	17.0	21.8
40	13.6	16.2	21.0
100	12.0	15.0	20.0
200	10.0	13.9	18.0



8900 Series

- 8900C – 24 GPM Pump/ Cast Iron
- 8900C R– 24 GPM Pump/ Cast Iron Reverse Rotation/Clockwise
- DKP-8900C – 24 GPM Pump/ Cast Iron #90300 Coupler and Torque Arm Kit
- 8900DSS – 24 GPM Pump/ Diamond Stainless Steel
- 8900DSSR – 24 GPM Pump/ Diamond Stainless Steel Reverse Rotation / Clockwise
- DPK-8900DSS - 24 GPM Pump/ Diamond Stainless Steel #90300 Coupler and Torque Arm Kit

Pump:

- Type: 8-roller design
- Max Pressure: 300 PSI
- Max Recommended Temperature: 140°F
- Port Size: 1" FNPT
- Mounting:
- Base Mounted: 3/8"– 18UNC-2B (2 holes)
- PTO: Use Torque Bar and Chain
- Shaft: 15/16" Solid Shaft
- Weight: 14 lbs

Materials of Construction:

- Pump Housing: Cast Iron or Stainless Steel
- Rollers: 3/4" Ultra Rollers
- Shaft Seals: Viton cartridge type lip seals
- Shaft & Rotor:
- C: Extra-fine finish 404 SST
- DSS: Extra-fine finish 416 SST
- Bearings: Permanently-lubricated, heavy-duty sealed bearings

8900 Series Performance

PSI	540 RPM	850 RPM	1000 RPM
0	13.0	20.2	24.0
20	12.4	19.8	23.2
40	11.6	19.1	22.4
100	10.6	18.6	21.8
200	8.9	15.7	18.0
300	7.0	14.0	17.1

RollerPRO

Roller Pumps



RollerPRO Accessories

Torque Bar and Chain

The Torque Bar and Chain is needed to anchor a PTO-mounted pump to keep it from turning with the PTO shaft. Fits all roller pumps
Part# 33680

RollerPRO Pump Kits

6-Roller Pump Kit
Roller pump with CCW rotations,
#90200 coupler, and torque arm kit
Part# DPK – 6900C (Cast Iron)
Part# DPK – 6900DSS (Diamond Stainless Steel)

8-Roller Pump Kit
Roller pump with CCW rotations,
#90300 coupler, and torque arm kit
Part# DPK – 8900C (Cast Iron)
Part# DPK – 8900DSS (Diamond Stainless Steel)

QUICK COUPLERS

Part#	PTO	Shaft	Tooth	Body	Max RPM	Multi-Speed
90000	1 3/8"	5/8"	9-Tooth	Forged Steel	540 - 1000RPM	•
90100	1 3/8"	15/16"	9-Tooth	Forged Steel	540 - 1000RPM	•
90200	1 3/8"	5/8"	9-Tooth	Die Cast Aluminum	540 - 1000RPM	•
90300	1 3/8"	15/16"	9-Tooth	Die Cast Aluminum	540 - 1000RPM	•
90400	1 3/8"	5/8"	21-Tooth	Forged Steel	1000 PRM	
90500	1 3/8"	15/16"	21-Tooth	Forged Steel	1000 PRM	
90600	1 3/8"	5/8"	6-Tooth	Forged Steel	540 RPM	
90700	1 3/8"	15/16"	6-Tooth	Forged Steel	540 RPM	
90800	1 3/4"	15/16"	20-Tooth	Forged Steel	1000 PRM	





RK-8900 Repair Kit



RK-4900 Repair Kit

RollerPRO Pump Repair Kits

RollerPRO Repair Kits

Kit contains 3/4" ultra rollers, shaft seals seal ring, shaft key and instructions.

- 4900 Pump – Part# RK-4900
- 6900 Pump – Part# RK-6900
- 7900 Pump – Part# RK-7900
- 8900 Pump – Part# RK-8900

Competitive Pump Repair Kits

Ace, Hypro, TSC, Century, and Teel Pumps.
Kit includes 11/16" diameter roller and Viton seals.

- 6 Roller Kit – Part# 18756
- 8 Roller Kit – Part# 18768

Old Style Delavan Roller Pump Repair Kits

Kit contains rollers, shaft seals, O-rings and instructions

- 66-3110 Pump – Part# 25227
- 77-3110 Pump – Part# 25228
- 77-4111 Pump – Part# 25228
- 77-311 Pump – Part# 25228
- 77-410 Pump – Part# 25228

Universal Roller Pump Repair Kits

Kit contains 11/16" ultra rollers, shaft seals, O-rings, and instructions.*Repairs Delavan and Hypro Roller Pumps

- 4400 Pump – Part# 44-4000RK
- 5500 Pump – Part# 55-1700RK
- 6600 Pump – Part# 66-6500RK
- 7000 Pump – Part# 77-7700RK
- 8800 Pump – Part# 88-7560RK

SET SCREW COUPLER (Mild Steel Body & Set Screws)

Part#	Compatible Pumps	Pump	Drive	Max RPM
50101	4400	5/8"	5/8"	2600

