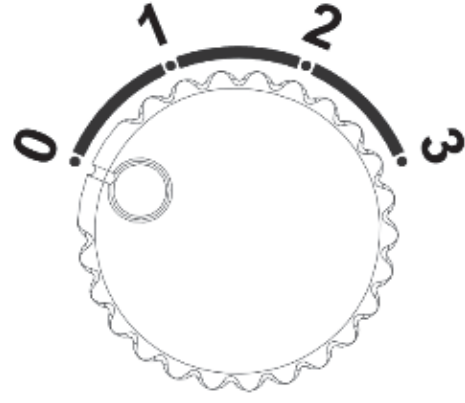


**OPERATING INSTRUCTIONS**

- ADJUST THE DESIRED SPEED BY ROTATING THE SWITCH KNOB:  
0 - STOP 1 - LOW 2 - MEDIUM 3 - HIGH
- TILT THE FAN HEAD FOR DESIRED ANGLE OF AIR FLOW.

NOTE: FOR LONGER PARTS LIFE, AFTER 10 HOURS OF CONTINUOUS OPERATION, TURN FAN OFF FOR 15 MINUTES TO ALLOW MOTOR TO COOL.



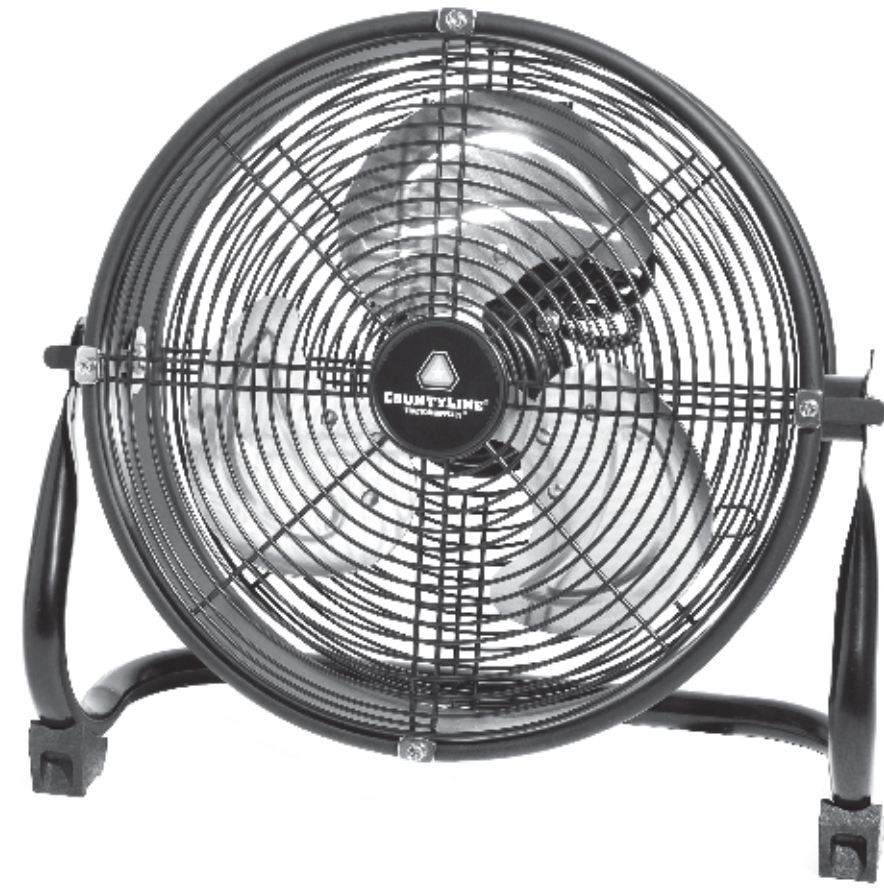
**TROUBLESHOOTING GUIDE**

PROBLEM	POSSIBLE CAUSE	CORRECTIVE ACTION
THE FAN FAILS TO OPERATE	1. FAN MAY NOT BE PLUGGED IN.	1. MAKE SURE THE FAN IS PLUGGED IN AND ELECTRICAL OUTLET IS WORKING PROPERLY.
	2. THERE MAY BE AN OBSTRUCTION IN THE FAN.	2. CHECK FOR ANY OBSTRUCTION. IF YOU FIND AN OBSTRUCTION, TURN THE FAN "OFF". UNPLUG THE FAN AND CAREFULLY REMOVE THE OBSTRUCTION. PLUG THE FAN IN AND TURN IT ON AGAIN, REFERRING TO THE OPERATION INSTRUCTIONS.

**TECHNICAL DATA**

MODEL NO.	BLADE DIA. SIZE	VOL./ Hz	SPEED	WATTAGE
SFD-300B	12 IN./300MM	AC 120V /60 Hz	HIGH	56W
			MEDIUM	46W
			LOW	40W

**USER MANUAL AND OPERATING INSTRUCTIONS**



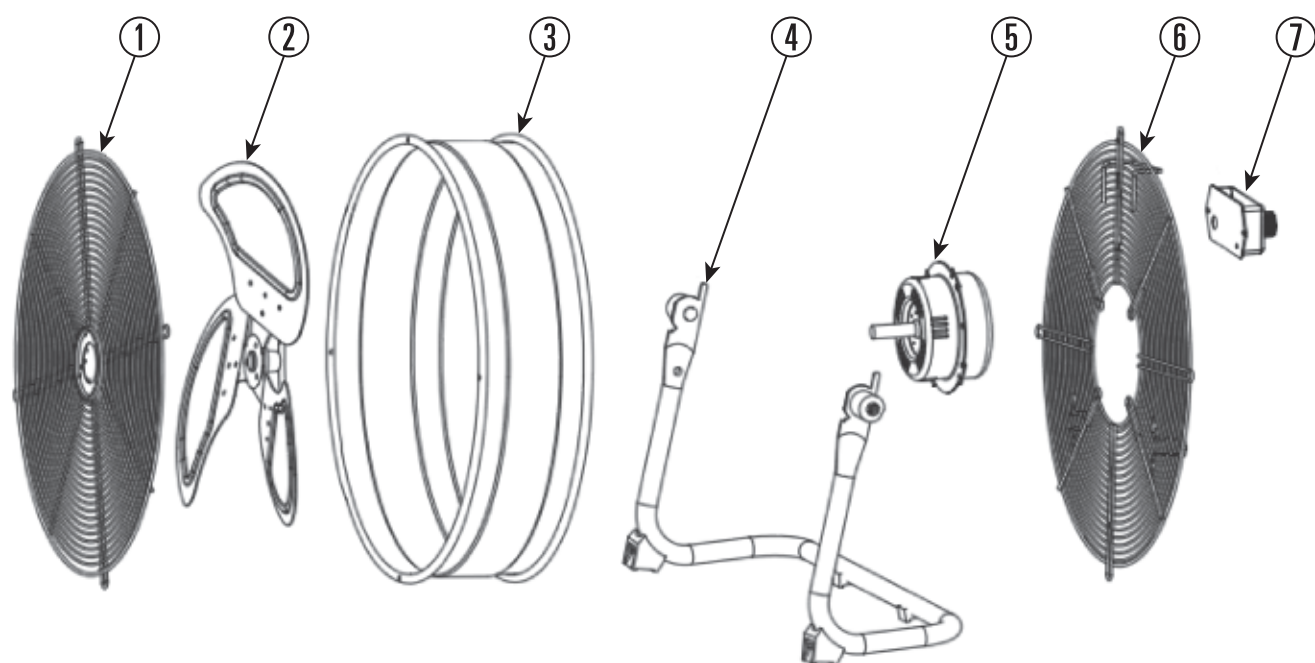
**12 IN. PORTABLE DRUM FAN**

SKU NO.: 1046850 MODEL NO.: SFD-300B

**READ AND SAVE THESE INSTRUCTIONS FOR FUTURE USE**

**IMPORTANT: READ ALL INSTRUCTIONS CAREFULLY BEFORE ASSEMBLY, SERVICE OR USE OF THIS FAN. FAILURE TO COMPLY WITH THESE INSTRUCTIONS COULD RESULT IN SERIOUS PERSONAL INJURY AND/OR PROPERTY DAMAGE.**

Distributed by:  
TRACTOR SUPPLY COMPANY  
200 POWELL PLACE  
BRENTWOOD, TN 37027  
For customer support, call:  
1-888-376-9601  
www.TractorSupply.com  
Made in China

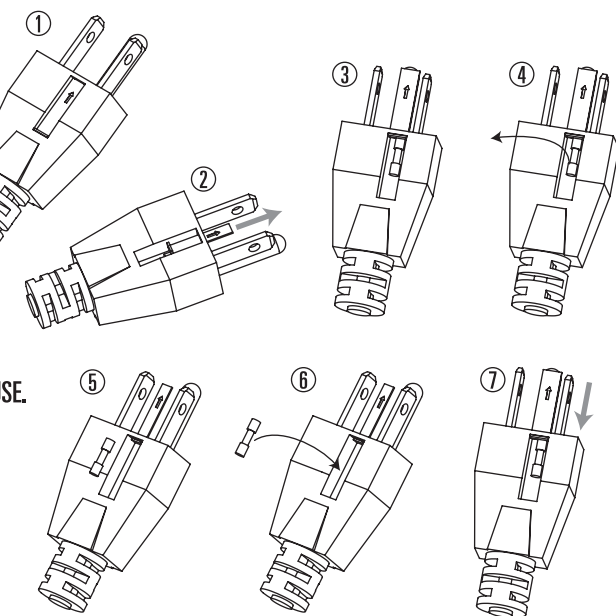


**PACKAGE CONTENTS**

PART	DESCRIPTION	QUANTITY
1	FRONT GUARD	1
2	BLADE	1
3	BARREL	1
4	BRACKET	1
5	MOTOR	1
6	REAR GUARD	1
7	SWITCH BOX	1

**SERVICING INSTRUCTIONS**

- UNPLUG THE FAN BY GRIPPING THE PLUG DIRECTLY.
- OPEN FUSE COVER.
- SELECT A SUITABLE TOOL (THE TOP OF THE TOOL SHOULD BE TAPERED AND FLAT. FOR EXAMPLE, TRAVEL SCISSORS OR A SMALL FLAT SCREWDRIVER ETC.) AND INSERT THE TIP OF THE TOOL INTO THE GAP IN THE PLUG FACE.
- PRESS THE TOOL DOWN, THEN PRY THE PROTECTION DOOR OF THE FUSE OUT UNTIL THE FUSE IS FULLY ACCESSIBLE.
- CAREFULLY REMOVE THE FUSE.
- TO AVOID THE RISK OF FIRE, MAKE SURE REPLACEMENT FUSE IS A 5 AMP, 125 VOLT FUSE.
- PLACE THE NEW FUSE IN THE SLOT AND CAREFULLY PRESS DOWN BY PUSHING GENTLY ON THE COPPER CAPS ON EITHER SIDE. BE CAREFUL NOT TO PUSH TOO HARD TO AVOID DAMAGE TO THE FUSE.
- CLOSE FUSE COVER. USE YOUR HAND OR A TOOL TO PUSH THE PROTECTION DOOR BACK INTO PLACE. IF THE DOOR WILL NOT GO BACK INTO ORIGINAL PLACE, ENSURE THAT THE FUSE IS PROPERLY SITUATED. BE CAREFUL NOT TO FORCE THE DOOR AS THIS COULD DAMAGE THE FUSE OR THE DOOR.



**SAFETY INFORMATION**

**WARNING:**

- THIS UNIT IS DESIGNED FOR INDOOR USE ONLY. DO NOT EXPOSE TO ELEMENTS OR ALLOW TO BECOME WET.
- TO GUARD AGAINST ELECTRIC SHOCK WHILE OPERATING, DO NOT ALLOW FAN TO COME IN CONTACT WITH OTHER GROUNDED OBJECTS SUCH AS PIPES, RADIATORS, ETC.
- TO REDUCE THE RISK OF ELECTRICAL SHOCK, DO NOT USE WITH AN SOLID STATE SPEED CONTROL DEVICE.
- DO NOT USE TO EXHAUST HAZARDOUS CHEMICALS OR USE NEAR ANY FLAMMABLE LIQUIDS OR GASES AS SPARKS FROM MOTOR MAY IGNITE FUMES.
- TURN OFF UNPLUG UNIT, AND WAIT FOR FAN TO STOP BEFORE MOVING, STORING, AND/OR CHANGING OPERATING LOCATIONS.
- DO NOT INSERT YOUR HAND OR OTHER OBJECTS INTO THE GUARD OR THE MOVABLE PARTS.
- BEFORE OPERATING ALWAYS CHECK FAN FOR LOOSE OR DAMAGED PARTS. INSPECT POWER CORD FOR ANY DAMAGE. NEVER USE FAN IF ANY PARTS ARE DAMAGED OR MISSING. NEVER USE FAN WITHOUT SAFETY GUARDS ATTACHED.
- WHEN USED WITH AN EXTENSION CORD, USE ONLY CORD OF PROPER SIZE (AMP RATING), UL LISTED, AND WITH RECEPTACLE TO ACCEPT THREE PRONG GROUNDED PLUG FURNISHED ON THE FAN'S POWER CORD. ALWAYS KEEP POWER CORD AND EXTENSION CORDS AWAY FROM HEAT, OIL, AND SHARP EDGES. INSPECT CORDS PERIODICALLY AND REPLACE IF DAMAGED.
- DISCONNECT FAN FROM POWER SOURCE WHEN NOT IN USE, BEFORE SERVICING AND WHEN CLEANING OR REPAIRING.
- REPAIR OF THIS APPLIANCE SHOULD BE DONE BY A QUALIFIED ELECTRICIAN.
- IN CASE OF POWER FAILURE, TURN FAN OFF AT POWER KNOB OR CHAIN TO PREVENT UNEXPECTED RESTARTING AND COMPONENT DAMAGE.
- KEEP CHILDREN AWAY FROM FAN AT ALL TIMES.
- DO NOT USE HIGH PRESSURE HOSE TO SPRAY THE FAN FOR CLEANING.
- DO NOT OPERATE ANY FAN WITH A DAMAGED CORD OR PLUG. DISCARD FAN OR RETURN TO AN AUTHORIZED SERVICE FACILITY FOR EXAMINATION AND/OR REPAIR.
- DO NOT RUN CORD UNDER CARPETING. DO NOT COVER CORD WITH THROW RUGS, RUNNERS, OR SIMILAR COVERINGS. DO NOT ROUTE CORD UNDER FURNITURE OR APPLIANCES. PLEASE ARRANGE CORD AWAY FROM TRAFFIC AREA AND WHERE IT WILL NOT BE TRIPPED OVER.

**CAUTION:**

- PRIOR TO CLEANING, UNPLUG THE FAN FROM THE SOCKET.
- DO NOT IMMEDIATELY IMMERSE THE FAN IN WATER.
- ENSURE GUARD IS SECURELY TIGHTENED ONTO FAN BEFORE USE.

**CARE AND MAINTENANCE**

UNPLUG THE APPLIANCE BEFORE CLEANING. SLIGHTLY MOISTEN A CLOTH AND THEN WIPE OFF THE SURFACES OF THE FAN. IN ORDER TO REMOVE THE DUST FROM THE PROTECTIVE GUARD, USE A VACUUM CLEANER OR REMOVE THE FRONT PROTECTIVE GUARD BY REMOVING THE SECURING SCREW ON THE EDGE OF THE GUARD WITH A SCREWDRIVER. AFTER CLEANING, REMOUNT THE SAFETY GUARD. AFTER DOING THIS, FASTEN THE SECURING SCREW ON THE EDGE OF THE PROTECTIVE GUARD.

"THIS PRODUCT EMPLOYS OVERLOAD PROTECTION (FUSE). A BLOWN FUSE INDICATES AN OVERLOAD OR SHORT-CIRCUIT SITUATION. IF THE FUSE BLOWS, UNPLUG THE PRODUCT FROM THE OUTLET. REPLACE THE FUSE AS PER THE USER SERVICING INSTRUCTIONS (FOLLOW PRODUCT MARKING FOR PROPER FUSE RATING) AND CHECK THE PRODUCT. IF THE REPLACEMENT FUSE BLOWS, A SHORT-CIRCUIT MAY BE PRESENT AND THE PRODUCT SHOULD BE DISCARDED OR RETURNED TO AN AUTHORIZED SERVICE FACILITY FOR EXAMINATION AND/OR REPAIR."

**SAVE THESE INSTRUCTIONS**

	ITEM NUMBER:	1046850
	DESCRIPTION:	12in Portable Drum Fan
	INSTRUCTION MANUAL SIZE:	420mm(W) x 297mm(H)
	COLOR:	1C + 1C
	MATERIAL:	80gsm Woodfree Paper (80磅書紙)
	FINISHING:	NIL
	DATE:	Dec 16, 2013
	VERSION:	1.7
	RELEASED DATE:	Dec 19, 2013
	<b>CMYK</b> <input type="checkbox"/> <input type="checkbox"/> <input type="checkbox"/> <input checked="" type="checkbox"/>	
<b>PANTONE</b> <input type="checkbox"/> --- <input type="checkbox"/> --- <input type="checkbox"/> --- <input type="checkbox"/> ---		