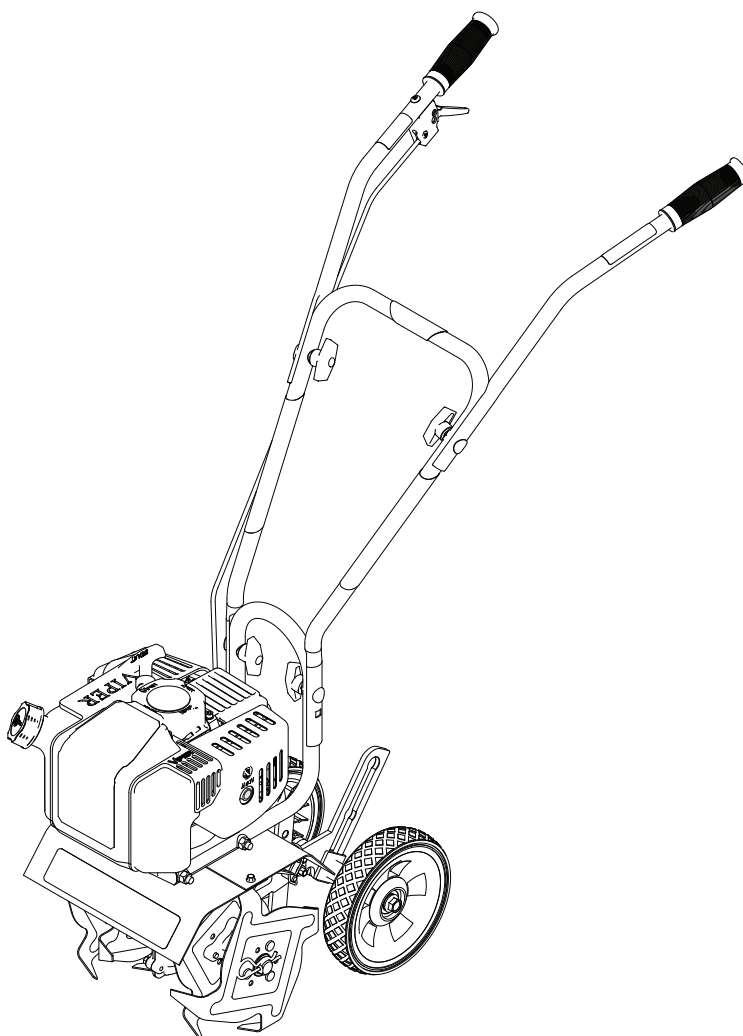




Operator's Manual
Original Operating Instructions
Manuel de l'utilisateur
Manual del operador

MC43
2-Cycle Cultivator
Motobineuse 2 temps
Cultivador de 2 ciclos



Includes Model:
Inclut le modèle, Incluye el modelo

MC43

Get parts online at
Pièces détachées en ligne à
Obtenga piezas en línea en
www.GetEarthquake.com



P/N: 26478
ECN: 11296
REV1: 10/01/16
© 2016 Ardisam, Inc.
All Rights Reserved
Tous droits réservés
Todos los derechos reservados

INTRODUCTION

Thank you for purchasing a cultivator from Earthquake®. We have worked to ensure that this cultivator meets the highest standards for usability and durability. With proper care, your cultivator will provide many years of service.

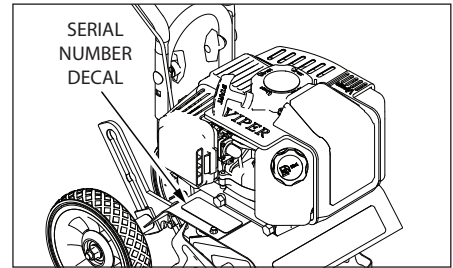
Please read this entire manual before installation and use. Earthquake® reserves the right to change, alter or improve the product and this document at any time without prior notice.

CONTENTS

Introduction/Content/Registration and Service	2
Warnings and Safety Precautions.....	3-6
Operation Precautions/Maintenance and Storage Precautions.....	6
Burns and Fires/Safety Decals.....	6-7
Features	8
Unpacking and Assembly	9
Operation	9-12
Maintenance and Storage.....	12-14
Troubleshooting and Repair.....	14-15
Illustrated Parts Breakdown.....	16-20
15073 Border-Edger Kit Installation (Optional Accessory)	21
DK43 Dethatcher Kit Installation (Optional Accessory).....	22
Warranty	23

REGISTRATION AND SERVICE

Record the product model number and serial number in the space provided for easy reference when ordering parts or requesting technical support. Excluding emissions-related warranty items, the warranty is valid only if the completed registration is received by Ardisam within 30 days of purchase. (SEE WARRANTY SECTION FOR MORE INFORMATION) You can register your warranty online by visiting www.earthquake.com, or by mailing it to: Ardisam Inc, 1160 8th Avenue, Cumberland, WI 54829. You may also call our Customer Service department at (800) 345-6007 Mondays through Fridays from 8 a.m. to 5 p.m. CST.



OWNERSHIP RECORDS		
Owner's Name:		
Owner's Address:		
City:	State/Province:	Zip Code/Postal Code:
Model Number:	Serial Number:	
Date of Purchase:		
Notes:		

Read and keep this manual for future reference. This manual contains important information on SAFETY, ASSEMBLY, OPERATION, AND MAINTENANCE. The owner must be certain that all the product information is included with the unit. This information includes the MANUAL, the REPLACEMENT PARTS and the WARRANTIES. This information must be included to make sure state laws and other laws are followed. All persons to whom rent/loan this unit must have access to and understand this information. This manual should remain with the product even if it is resold.

WARNINGS AND SAFETY PRECAUTIONS

Owner's Responsibility

Accurate assembly and safe and effective use of the machine is the owner's responsibility.

- Read and follow all safety instructions.
- Carefully follow all assembly instructions.
- Maintain the machine according to directions and schedule included in this *Earthquake* operator's manual.
- Ensure that anyone who uses the machine is familiar with all controls and safety precautions.

Special Messages

Your manual contains special messages to bring attention to potential safety concerns, machine damage as well as helpful operating and servicing information. Please read all the information carefully to avoid injury and machine damage.

NOTE: *General information is given throughout the manual that may help the operator in the operation or service of the machine.*

THIS SYMBOL POINTS OUT IMPORTANT SAFETY INSTRUCTIONS WHICH, IF NOT FOLLOWED, COULD ENDANGER YOUR PERSONAL SAFETY. READ AND FOLLOW ALL INSTRUCTIONS IN THIS MANUAL BEFORE ATTEMPTING TO OPERATE THIS EQUIPMENT.



Before Operating Engine:

Please read this section carefully. Read entire operating and maintenance instructions for this product. Failure to follow instructions could result in damage to personal property, serious injury or death. Operate the machine according to the safety instructions outlined here and inserted throughout the text. Anyone who uses this machine must read the instructions and be familiar with the controls.

Intended Use / Foreseeable Misuse

IMPORTANT: This is a motorized rotary cultivator that works the soil by means of rotating tines. It is pedestrian-controlled, but not self-propelled, with a gasoline-fueled internal combustion engine to power the tines. It shall not be used for any other purpose.



NOTICE

NOTICE INDICATES YOUR EQUIPMENT CAN BE DAMAGED IF THE SAFETY INSTRUCTIONS THAT FOLLOW THIS SIGNAL WORD ARE NOT OBEYED.

CAUTION

CAUTION INDICATES A HAZARD WHICH, IF NOT AVOIDED, COULD RESULT IN PERSONAL INJURY AND/OR PROPERTY DAMAGE.

WARNING

WARNING INDICATES A HAZARD WHICH, IF NOT AVOIDED, COULD RESULT IN DEATH OR SERIOUS INJURY AND/OR PROPERTY DAMAGE.

DANGER

DANGER INDICATES A HAZARD WHICH, IF NOT AVOIDED, WILL CERTAINLY RESULT IN DEATH OR SERIOUS INJURY AND/OR PROPERTY DAMAGE.

IMPORTANT

IMPORTANT INDICATES HELPFUL INFORMATION FOR PROPER ASSEMBLY, OPERATION, OR MAINTENANCE OF YOUR EQUIPMENT.

WARNING

CALIFORNIA PROPOSITION 65 WARNING

ENGINE EXHAUST FROM THIS PRODUCT CONTAINS CHEMICALS KNOWN TO THE STATE OF CALIFORNIA TO CAUSE CANCER, BIRTH DEFECTS, OR OTHER REPRODUCTIVE HARM.

WARNING

YOU MUST READ, UNDERSTAND AND COMPLY WITH ALL SAFETY AND OPERATING INSTRUCTIONS IN THIS MANUAL BEFORE ATTEMPTING TO SETUP AND OPERATE YOUR MACHINE.

FAILURE TO COMPLY WITH ALL SAFETY AND OPERATING INSTRUCTIONS CAN RESULT IN LOSS OF MACHINE CONTROL, SERIOUS PERSONAL INJURY TO YOU AND/OR BYSTANDERS, AND RISK OF EQUIPMENT AND PROPERTY DAMAGE. THE TRIANGLE IN THE TEXT SIGNIFIES IMPORTANT CAUTIONS OR WARNINGS WHICH MUST BE FOLLOWED.

General Safety Rules

- Read, understand, and follow all instructions on the machine and in the manual(s). Be thoroughly familiar with the controls and the proper use of the machine before starting.
- Use this equipment for its intended purpose only.
- Familiarize yourself with all of the safety and operating decals on this equipment and on any of its attachments or accessories.
- Do not put hands or feet near or under rotating parts.
- Only allow responsible individuals who are familiar with the instructions to operate the machine. Do not allow children to operate this machine. Do not allow adults to operate the machine without proper instruction.
- Thoroughly inspect the area where the machine is to be used and remove all foreign objects. Your equipment can propel small objects at high speed causing personal injury or property damage. Stay away from breakable objects, such as house windows, automobile, greenhouses, etc.
- Wear appropriate clothing such as a long-sleeved shirt or jacket. Also wear long trousers or slacks. Do not wear shorts. Never wear sandals, sneakers, or open shoes, and never operate the machine with bare feet.
- Do not wear loose clothing or jewelry. They can get caught in moving parts. Always keep hands, feet, hair and loose clothing away from any moving parts on engine and machine.
- Always wear safety goggles or safety glasses with side shields when operating the machine to protect your eyes from foreign objects which can be thrown from the unit. Always wear a protective hearing device.
- Always wear work gloves and sturdy footwear. Wear footwear that will improve footing on slippery surfaces. Leather work shoes or short boots work well for most people. These will protect the operator's ankles and shins from small sticks, splinters, and other debris.
- It is advisable to wear protective headgear to prevent the possibility of being struck by small flying particles, or being struck by low hanging branches, twigs, or other objects which may be unnoticed by the operator.
- Do not operate the machine without proper guards or other safety protective devices in place.
- See manufacturer's instructions for proper operation and installation of accessories. Only use accessories approved by the manufacturer.
- Operate only in daylight or good artificial light.
- Do not operate product when fatigued or under the influence of alcohol, drugs or other medication which can cause drowsiness or affect your ability to operate this machine safely.
- Never operate machine in wet grass. Always be sure of your footing; keep a firm hold on the handle and walk; never run.
- Watch for traffic when operating near, or when crossing roads.
- If the equipment should start to vibrate abnormally, stop the engine (motor), disconnect the spark plug wire and prevent it from touching the spark plug. Check immediately for cause. Vibration is generally a warning of trouble. If the noise or vibrations of the machine increase, stop immediately and perform an inspection.
- Never leave the machine unattended when the engine is running. Remove the wire from the spark plug.
- Regularly inspect the machine. Make sure parts are not bent, damaged or loose.
- Temperature of muffler and nearby areas may exceed 150° F (65° C). Allow muffler and engine areas to cool before touching. Never pick up or carry the machine while the engine is running.
- Prolonged exposure to noise and vibration from gasoline engine-powered equipment should be avoided. Take intermittent breaks and/or wear ear protection from engine noise as well as heavy work gloves to reduce vibration in the hands.
- Keep all screws, nuts and bolts tight.
- Do not transport the machine from one place to another with the engine running.
- When moving the packaged machine, always do so with a partner.
- Check local regulations for age restrictions on use of this machine.

Product-Specific Safety Rules

- Do not cultivate above underground utilities, including water lines, gas lines, electric cables, or pipes. Do not operate the machine on terrain/soil with large rocks and foreign objects which can damage the equipment.
- After striking a foreign object, stop the engine. Remove the wire from the spark plug. Inspect the machine for damage. If damaged, repair before starting and operating the machine.
- The tines of the cultivator should not rotate when the engine is idling. If it does rotate when engine is idling, contact *Earthquake* for instructions.
- If an object becomes lodged in the tines, turn engine off, remove the wire from the spark plug and secure, allow to cool before attempting to remove the foreign object.
- The clutch will transfer maximum power after about two hours of normal operation. During this break-in period clutch slippage may occur. The clutch should be kept free of oil or other moisture for efficient operation.

⚠ DANGER

ENGINES GIVE OFF CARBON MONOXIDE, AN ODORLESS, COLORLESS, POISONOUS GAS. CARBON MONOXIDE MAY BE PRESENT EVEN IF YOU DO NOT SMELL OR SEE ANY ENGINE EXHAUST. BREATHING CARBON MONOXIDE CAN CAUSE NAUSEA, FAINTING OR DEATH, IN ADDITION TO DROWSINESS, DIZZINESS AND CONFUSION.

IF YOU EXPERIENCE ANY OF THESE SYMPTOMS, SEEK FRESH AIR AND MEDICAL ATTENTION IMMEDIATELY.

⚠ CAUTION

HOT GASES ARE A NORMAL BY-PRODUCT OF A FUNCTIONING INTERNAL COMBUSTION ENGINE. FOLLOW ALL SAFETY INSTRUCTIONS TO PREVENT BURNS AND FIRES.

⚠ WARNING

NEVER ALTER OR MODIFY THE ENGINE FROM THE FACTORY. SERIOUS INJURY OR DEATH MAY OCCUR IF ENGINE IS MODIFIED OR ALTERED.

WHEN WORKING ON OR REPLACING PARTS FOR THE ENGINE OR PRODUCT, YOU MUST ALWAYS FLIP THE ON/OFF SWITCH TO THE OFF POSITION.

Engine Safety Precautions

If your product comes with a separate engine manual, be sure to read and follow all safety and warning precautions outlined there, in addition to any in this manual.

Preventing Carbon Monoxide Poisoning

- Always start and run engine outdoors. Do not start or run engine in an enclosed area, even if doors or windows are open.
- Never try to ventilate engine exhaust indoors. Carbon monoxide can reach dangerous levels very quickly.
- Never run engine outdoors where exhaust fumes may be pulled into a building.
- Never run engine outdoors in a poorly ventilated area where the exhaust fumes may be trapped and not easily taken away. (Examples include: in a large hole or areas where hills surround your working area.)
- Never run engine in an enclosed or partially enclosed area. (Examples include: buildings that are enclosed on one or more sides, under tents, car ports or basements.)
- Always run the engine with the exhaust and muffler pointed in the direction away from the operator.
- Never point the exhaust muffler towards anyone. People should always be many feet away from the operation of the engine and its attachments.
- Do not change the engine governor settings or over-speed the engine.

Gasoline Fires and Handling Fuel Safely

Use extra care in handling gasoline and other fuels. They are flammable and vapors are explosive.

- When storing extra fuel be sure that it is in an appropriate container and away from any fire hazards.
- Prevent fire and explosion caused by static electric discharge. Use only nonmetal, portable fuel containers approved by the Underwriter's Laboratory (U.L.) or the American Society for Testing & Materials (ASTM).
- Never remove the fuel cap or add fuel with the engine running. Stop engine and allow to cool before filling.
- Never drain fuel from engine in an enclosed area.

- Always fill fuel tank outside in a well ventilated area. Never fill your fuel tank with fuel indoors. (Examples include: basement, garage, barn, shed, house, porch, etc.) Never fill tank near appliances with pilot lights, heaters, or other ignition sources. If the fuel has to be drained, this should be done outdoors. The drained fuel should be stored in a container specifically designed for fuel storage or it should be disposed of carefully.
- Always wipe up excess (spilled) fuel from engine before starting. Clean up spilled fuel immediately. If fuel is spilled, do not start the engine but move product and fuel container from area. Clean up spilled fuel and allow to evaporate and dry after wiping and before starting.
- Allow fuel fumes/vapors to escape from the area before starting engine.
- Test the fuel cap for proper installation before starting and using engine.
- Always run the engine with fuel cap properly installed on the engine.
- Never smoke while refilling engine fuel tank.
- Do not store engine with fuel in fuel tank indoors. Fuel and fuel vapors are highly explosive.

Preparation

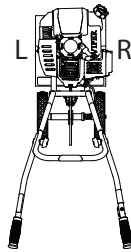
- Dress appropriately when operating the cultivator. Always wear sturdy footwear. Never wear sandals, sneakers or open shoes, and never operate the cultivator with bare feet. Do not wear loose clothing that might get caught in moving parts.
- Carefully inspect the area to be cultivated and remove all foreign objects. Do not cultivate above underground water lines, gas lines, electric cables, or pipes. Do not operate the cultivator in soil with large rocks and foreign objects which can damage the equipment.

- Handle fuel with care; it is highly flammable.
 - a. Use an approved fuel container.
 - b. Never add fuel to a running engine or hot engine.
 - c. Fill fuel tank outdoors with extreme care. Never fill fuel tank indoors.
 - d. Replace gasoline cap securely and clean up spilled fuel before restarting.

- Take all possible precautions when leaving the machine unattended. Disengage throttle control, stop the engine, wait for all moving parts to stop, and make certain guards and shields are in place.
- When leaving the operating position for any reason:
 - shut off the engine.
 - wait for all moving parts to stop.

NOTICE

THE RIGHT AND LEFT SIDES OF YOUR CULTIVATOR ARE DETERMINED FROM THE OPERATING POSITION AS YOU FACE THE DIRECTION OF FORWARD TRAVEL.



THE 2-CYCLE ENGINE USES A 50:1 RATIO OF GAS:OIL. DO NOT USE STRAIGHT, UNMIXED GASOLINE OR ENGINE DAMAGE WILL OCCUR.

MAINTENANCE AND STORAGE PRECAUTIONS

- Keep machine, attachments and accessories in safe working condition.
- Check shear bolts, engine mounting bolts and other bolts at frequent intervals for proper tightness to be sure the equipment is in safe working condition.
- To prevent accidental starting, always disconnect and secure the spark plug wire from the spark plug before performing cultivator maintenance.
- Never run the engine indoors. Exhaust fumes are deadly.
- Always allow muffler to cool before filling the fuel tank.
- Never store equipment with gasoline in the tank inside a closed building where fumes may reach an open flame or spark. Allow the engine to cool before storing in any building.
- Always refer to the operator's guide instructions for important details if the cultivator is to be stored for an extended period.

OPERATION PRECAUTIONS

- Do not operate cultivator under the influence of alcohol or drugs.
- Never operate cultivator without guards, covers, and hoods in place.
- Keep hands, feet, and clothing away from rotating parts. Keep clear of cultivator tines at all times.
- Tines rotate when cultivator is engaged; tines rotate when the drive safety control lever is pulled up. Releasing the drive safety control lever to neutral stops the tines.
- Use extreme caution when operating on or crossing gravel drives, walks, or roads. Stay alert for hidden hazards or traffic.
- After striking a foreign object, stop the engine, remove the wire from the spark plug, thoroughly inspect the cultivator for any damage, and repair the damage before restarting and operating the cultivator.
- If vegetation clogs the tines, stop the engine and disconnect the spark plug wire before removing vegetation by hand.
- If the unit should start to vibrate abnormally, stop the engine and check immediately for the cause. Vibration is generally a warning of trouble.
- Do not run engine indoors; exhaust fumes are deadly.
- Do not overload the machine capacity by attempting to till too deep at too fast of a rate.
- Never operate the cultivator without good visibility or light.

BURNS AND FIRES

The muffler, muffler guard and other parts of the engine become extremely hot during the operation of the engine. These parts remain extremely hot after the engine has stopped.

Prevention of Burns and Fires

- Never remove the muffler guard from the engine.
- Never touch the muffler guard because it is extremely hot and will cause severe burns.
- Never touch parts of the engine that become hot after operation.
- Always keep materials and debris away from muffler guard and other hot parts of the engine to avoid fires.

Children and bystanders

Tragic accidents can occur if the operator is not alert to the presence of children and/or bystanders. Never assume that others will remain where you last saw them.

- Keep the area of operation clear of all persons, especially small children and pets. Keep children under the watchful care of a responsible adult.
- Be alert and turn machine off if children enter the area.
- Before and while moving backwards, look behind and down for small children.
- Never allow children to operate the machine.
- Use extra care when approaching blind corners, shrubs, trees, or other objects that may obscure vision.

Service

- Always stop the engine whenever you leave the equipment, before cleaning, repairing or inspecting the unit. Engine should be turned off and cool. Never make adjustments or repairs with the engine (motor) running. Flip the ON/OFF switch to the **OFF** position to prevent accidental starting.
- Always wear eye protection when you make adjustments or repairs.
- Keep all nuts and bolts tight and keep equipment in good condition.
- Never tamper with safety devices. Check their proper operation regularly.
- When servicing or repairing the machine, do not tip the machine over or up unless specifically instructed to do so in this manual. Service and repair procedures can be done with the machine in an upright position. Some procedures will be easier if the machine is lifted on a raised platform or working surface.
- To reduce fire hazard, keep machine free of grass, leaves or other debris build-up. Clean up oil or fuel spillage. Allow machine to cool before storing.
- Stop and inspect the equipment if you strike an object. Repair, if necessary, before restarting.
- Clean and replace safety and instruction decals as necessary.
- Inspect machine before storage. When not in use, flip the ON/OFF switch to the **OFF** position and store indoors in a dry place locked or otherwise inaccessible to children.
- Use only original equipment parts from *Earthquake*, including all nuts and bolts.

SAFETY DECALS

This cultivator has been designed and manufactured to provide you with the safety and reliability you would expect from an industry leader in outdoor power equipment manufacturing.

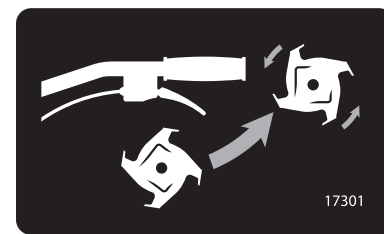
Reading this manual and the safety instructions it contains will provide you with the necessary basic knowledge to operate this equipment safely and effectively. We have placed a safety decal on the cultivator to remind you of some of this important information while you are operating the unit.

These important safety decals are shown here to help familiarize you with the location and content of the safety messages you will see as you perform normal cultivating operations. Please review these decals now, and if you have any questions regarding its meaning or how to comply with these instructions, reread the complete safety instruction text in this manual.



Part No. 17048

Cultivator Warning Decal - Tine Shield



Part No. 17301

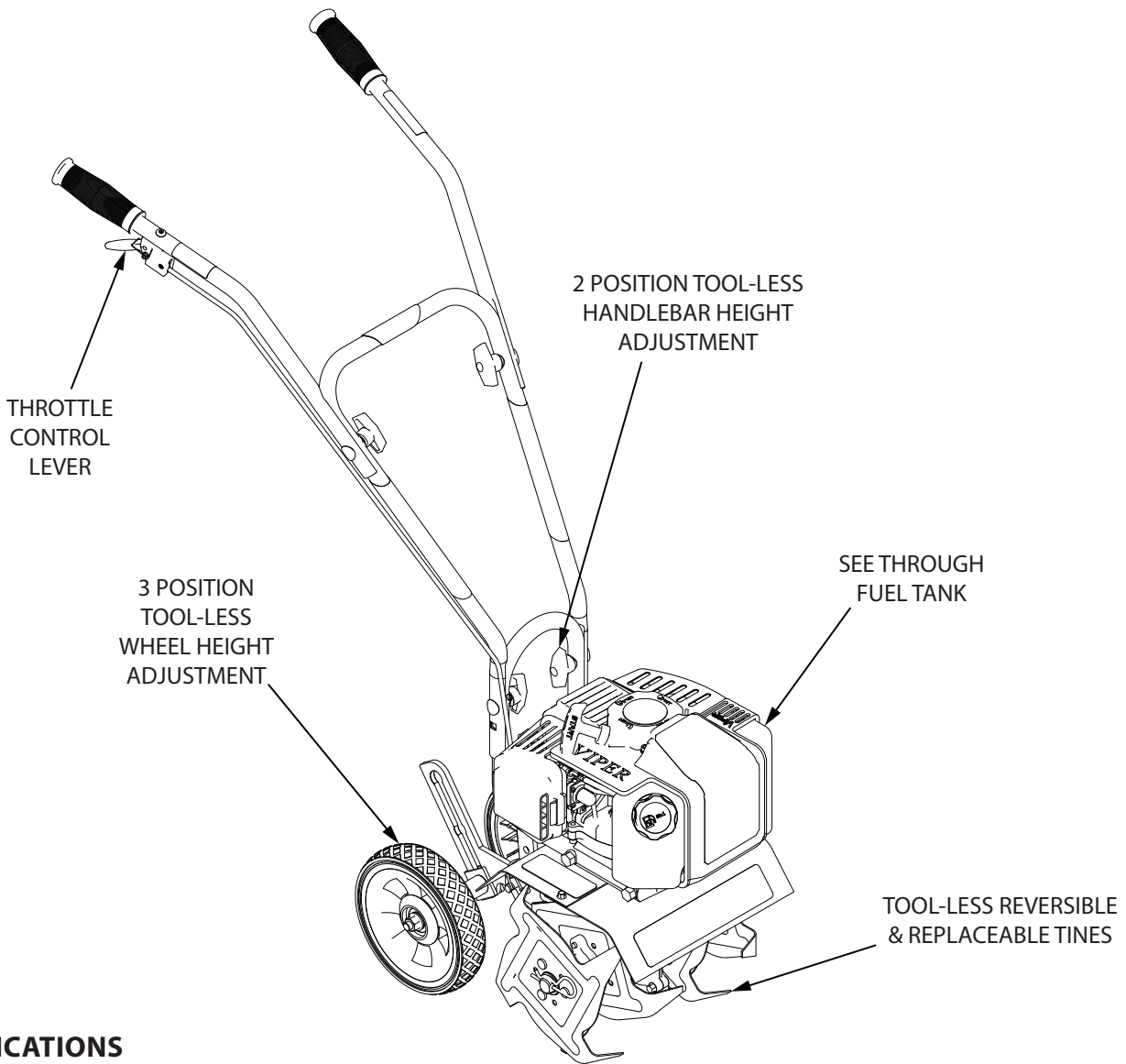
Throttle Control Decal - Right Handlebar



Part No. 17918

Free Hand Safe Starting Location Decal - Left Handlebar

FEATURES



SPECIFICATIONS

ENGINE DISPLACEMENT	43cc
FUEL TANK CAPACITY	36 fl-oz
OIL/GAS RATIO	50:1 - 2.6 fl-oz per gallon
OIL TYPE	Viper 2-cycle engine oil (Part number: 16890)
FUEL TYPE	Minimum 87 octane gasoline. NOTE: If using an ethanol blended fuel, a fuel stabilizer, mixed to manufacturer specifications, is recommended.

SPARK PLUG	L7RTC
SPARK PLUG GAP	0.027 inch
TRANSMISSION	Bronze gear drive
GEAR RATIO	32:1
TILLING WIDTH	6 inch min. - 10 inch max.
TILLING DEPTH	8 inch max.
TINE SPEED	250 rpm max.
WHEEL SIZE	7.0 inch dia. x 1.375 inch wide
WEIGHT OF UNIT	33 lb
ASSEMBLED SIZE	35 x 18 x 38 inch (L x W x H)

UNPACKING AND ASSEMBLY

Unpack Cultivator

- Carefully lift the cultivator out of the box, remove any packing material and cut any ties holding the handlebar pieces to the cultivator assembly.
- Find parts packet. Parts packet contains:
 - 4 - T-Handle Nuts (4640)
 - 4 - Curved Washers (4641)
 - 4 - Saddle Bolts (4642)

Assembly

- Stand the cultivator assembly upright with tines and wheels on a level surface. Wheels should be set in the lowest position. **DO NOT** place the cultivator on a high surface where it can fall and cause property damage or personal injury.
- Using two T-handle nuts, two saddle bolts, and two curved washers, attach the middle handlebar to the lower handlebar that is already connected to the cultivator assembly. The middle handlebar can be installed in one of two positions, one high and one low. **DO NOT** overtighten the T-handle nuts. **SEE FIGURE 1**
- Attach the upper right and left handlebars to the middle handlebar using the two remaining T-handle nuts, saddle bolts, and curved washers. **SEE FIGURE 1. DO NOT overtighten the T-handle nuts.**
- The drag stake is shipped with point facing upwards. Before using, remove lock pin and turn the drag stake around so the point is directed in the downward position facing towards the tines. Re-insert lock pin. **SEE FIGURE 2**

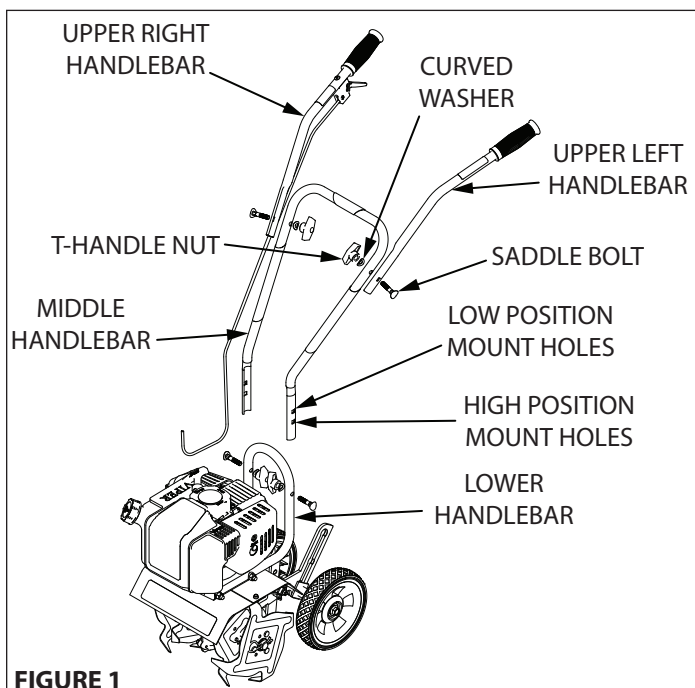


FIGURE 1

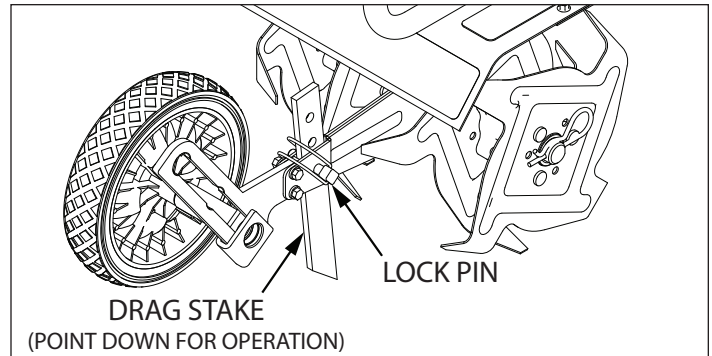


FIGURE 2

OPERATION

Operation Tips

- The clutch will transfer maximum power after about two hours of normal operation. During this break-in period clutch slippage may occur. The clutch should be kept free of oil and other moisture for efficient operation.
- Cultivate without placing excessive body weight on the unit. The cultivator operates most efficiently with the weight of the unit itself.

IMPORTANT

TO OPERATE THE ENGINE, WE RECOMMEND USING "VIPER" BRAND 2-CYCLE OIL (PN 16890), OR EQUIVALENT HIGH QUALITY 2-CYCLE OIL DESIGNED FOR AIR-COOLED 2-CYCLE ENGINES, TO ENSURE THAT THE ENGINE OPERATES CORRECTLY THROUGHOUT THE LIFE OF THE ENGINE. USE PREMIUM GASOLINE, LOW/NO ETHANOL BLENDS RECOMMENDED.

Preparing Engine for Starting

Mixing Fuel and Filling the Fuel Tank

GAS	OIL	RATIO
1 gallon	2.6 fluid-ounces	50:1
2 gallons	5.1 fluid-ounces	50:1
5 gallons	13 fluid-ounces	50:1

NOTE: Engine must be run with a 50:1 Fuel:Oil ratio.

- Fuel must be mixed in a container outside in a well ventilated area.
- Fill certified fuel container 1/4 full of recommended fuel.
- Add recommended amount of 2-cycle oil.
- Screw container gas cap on straight and tight.
- Shake the container to mix fuel and oil.
- Unscrew gas cap slowly to vent, add the remainder of fuel requirements.
- Wipe away any spilled fuel or oil and allow to evaporate before moving or transporting.

! WARNING

DO NOT STORE ENGINE INDOORS WITH FUEL IN THE TANK. FUEL AND FUEL VAPORS ARE HIGHLY FLAMMABLE.

NEVER MIX FUEL AND OIL DIRECTLY IN ENGINE FUEL TANK. USE ONLY NONMETAL, PORTABLE FUEL CONTAINERS APPROVED BY THE UNDERWRITER'S LABORATORY (U.L.) OR THE AMERICAN SOCIETY FOR TESTING & MATERIALS (ASTM).

AN ADULT MUST ALWAYS HANDLE AND FILL THE ENGINE WITH FUEL.

ALWAYS HANDLE GAS IN A WELL VENTILATED AREA, OUTDOORS, AWAY FROM FLAMES OR SPARKS.

DO NOT START ENGINE IF FUEL IS SPILLED. WIPE OFF EXCESS FUEL AND ALLOW TO DRY. REMOVE ENGINE FROM AREA TO AVOID SPARKS.

NEVER RUN ENGINE INDOORS. EXHAUST FUMES ARE DEADLY.

FAILURE TO FOLLOW THESE WARNINGS CAN CAUSE DAMAGE TO EQUIPMENT AND INJURY TO PERSONNEL.

NOTICE

THIS ENGINE USES A FUEL/OIL MIXTURE. DO NOT RUN ON STRAIGHT GASOLINE ONLY, ENGINE DAMAGE WILL OCCUR.

Filling Fuel Tank

1. Shut-off engine and allow engine to completely cool before refilling the fuel tank.
2. Move to a well ventilated area, outdoors, away from flames and sparks.
3. Clean debris from area around the fuel cap.
4. Loosen fuel cap slowly. Place the cap on a clean, dry surface.
5. Carefully add fuel without spilling.
6. Do not fill gas tank completely full, allow space for fuel to expand.
7. Immediately replace fuel cap and tighten. Wipe off spilled fuel and allow to dry before starting engine.

Tine Removal and Installation

To Remove Tines, do as follows: **SEE FIGURE 3**

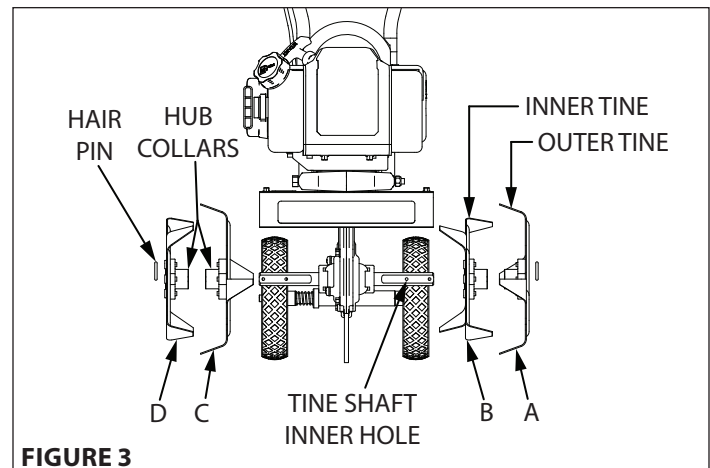
1. Remove the hairpins from each end of the tine shaft.
2. Slide the four tines off the shaft.

To Install Tines

1. First slide the inside tines onto each end of the tine shaft. One inside tine is stamped with a **B** and the other is stamped with a **C**.
2. Slide the outside tine **A** and tine **D** onto each end of the shaft next. The tines should be installed in the correct order so that they are positioned left to right **A, B, C, D**, as viewed from the user's position on the cultivator. Make sure that the hub collars on both the right and left pairs of tines face each other so that there is adequate spacing between the tine blades.
3. Insert the hairpins into the holes at each end of the tine shaft to lock the tines into place.

NOTE: *Tines can be reversed so the pointed tip of the tines are directed forward - for more aggressive digging. In this arrangement, tines are positioned left to right D, C, B, A as viewed from the user's position.*

To reduce cultivating width from 10" to 6", remove both outer tines and reinsert hairpins through the two inner holes on the tine shaft to secure both inner tines in place.



Starting and Stopping the Engine

- Move engine to a well ventilated area, outdoors, to prevent carbon monoxide poisoning.
- Move to an area away from flames or sparks, to avoid ignition of vapors if present.
- Remove all debris from air cleaner holes and gas cap to ensure proper air flow.

Cold Engine Start (SEE FIGURE 4):

Starting engine for first time or after engine has cooled off or after running out of fuel.

1. Prime unit until primer hose is filled with gas.

NOTE: *When using the primer bulb, allow the bulb to return completely to its original position between pushes.*

⚠️ WARNING

MAKE SURE THE UNIT IS IN A STABLE POSITION BEFORE PULLING THE STARTER HANDLE.

WHEN THE UNIT STARTS TO FIRE OR RUN, RETURN BOTH HANDS TO THE HANDLE BAR POSITION TO MAINTAIN CONTROL AND STABILITY OF THE UNIT.

STARTER ROPE CAN CAUSE AN UNANTICIPATED JERK TOWARDS ENGINE. PLEASE FOLLOW INSTRUCTIONS TO AVOID INJURY.

NEVER LEAVE ENGINE RUNNING WHILE UNATTENDED. TURN OFF AFTER EVERY USE.

NEVER CARRY CULTIVATOR FROM ONE LOCATION TO ANOTHER WHILE ENGINE IS RUNNING.

ALWAYS WEAR A PROTECTIVE HEARING DEVICE.

DO NOT START ENGINE IF FUEL IS SPILLED. WIPE OFF EXCESS FUEL AND ALLOW TO DRY.

2. Move choke lever to **CHOKE** position.

NOTE: CHOKE position is defined by moving the choke lever as far to the CHOKE position as possible.

3. Push ON/OFF switch to the **ON** position.
4. Hold handle bar firmly. Grasp starter handle with other hand and pull out slowly, until it pulls slightly harder. Without letting starter handle retract, pull rope with a rapid full arm stroke. Let it return to its original position very slowly. Repeat this step every time the starter rope is pulled until unit fires or runs.

NOTE: If engine fails to start after 5-6 pulls, push primer 1 time and pull starter rope again.

5. After engine starts running, move choke lever to **HALF CHOKE** position until unit runs smoothly.

NOTE: Half choke is defined when the choke lever is positioned between CHOKE and RUN.

6. Move choke lever to **RUN** position and squeeze throttle to desired speed.

NOTE: Run at full throttle when possible. Do not let unit idle for extended periods of time.

7. To stop engine, push ON/OFF switch to **OFF** position.

Hot/Warm Engine Start:

1. Begin with Step 3 of Cold Engine Starting.
2. If engine does not fire, refer to Step 1 of Cold Engine Starting.

Note: If engine fails to start after trying starting procedures, please contact our customer service department at 800-345-6007 or e-mail info@getearthquake.com

⚠️ WARNING

DO NOT ATTEMPT TO START ENGINE IN THE FOLLOWING WAYS:

- **DO NOT USE STARTING FLUID**
- **DO NOT SPRAY FLAMMABLE LIQUIDS OR VAPORS INTO AIR CLEANER, CARBURETOR, OR SPARK PLUG CHAMBER.**
- **DO NOT REMOVE SPARK PLUG AND ATTEMPT TO START ENGINE. FLAMMABLE FUEL CAN SPRAY OUT AND IGNITE FROM A SPARK FROM SPARK PLUG.**

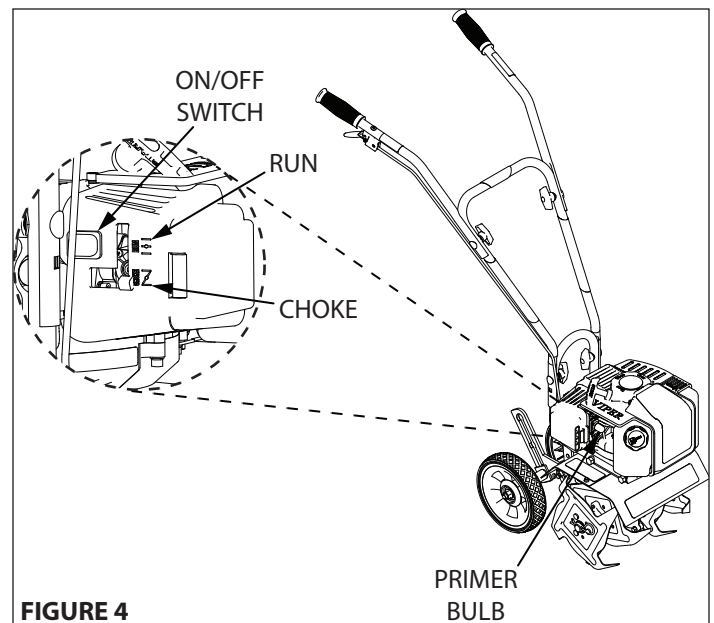


FIGURE 4

Adjusting Wheels and Drag Stake

The wheels on the cultivator can be adjusted to one of three positions. The **LOW** wheel position is used for transporting the cultivator across a smooth level surface while the engine is not running. The **HIGH** and **HIGHEST** wheel positions are used when cultivating in soil and help stabilize the unit when cultivating at different depths. **SEE FIGURE 5**

To Adjust Wheels Up Or Down do as follows: SEE FIGURES 5 & 6:

1. Pull the locking metal sleeve against the spring, away from the vertical guide until it releases from one of the three notched positions in the vertical guide.
2. Slide the wheel set up or down to the desired position, and release the locking metal sleeve until it locks into desired notch in the vertical guide.

To Adjust the Drag Stake do as follows: SEE FIGURE 7

The drag stake is used to help regulate cultivating depth and control the cultivator from leaping forward during operation. Resistance to forward motion is greatest when the drag stake is set in its lowest position allowing for deeper cultivation.

1. Pull the lock pin out of the drag stake mount hole.
2. Position drag stake so the pointed tip is directed downward.
3. Insert lock pin into the hole that achieves desired depth.

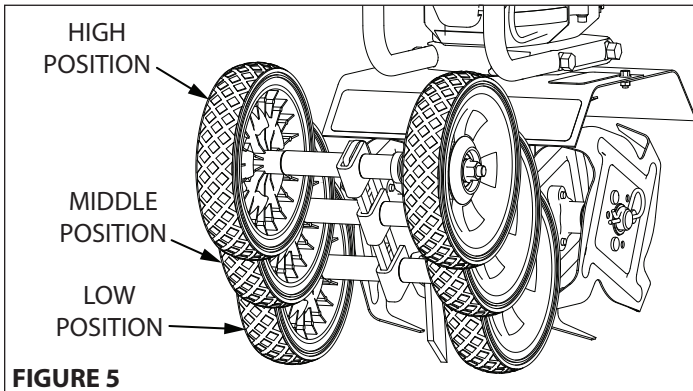


FIGURE 5

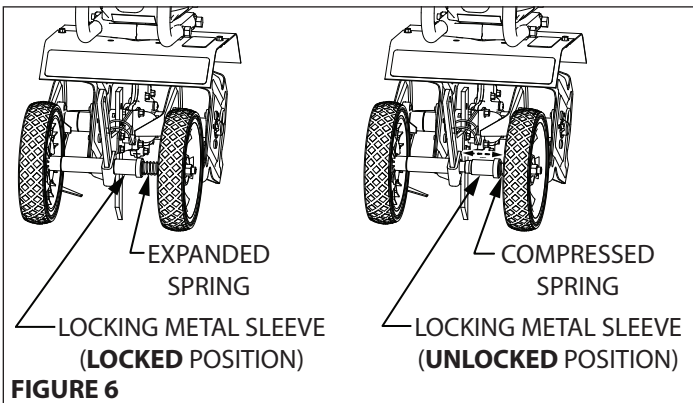


FIGURE 6

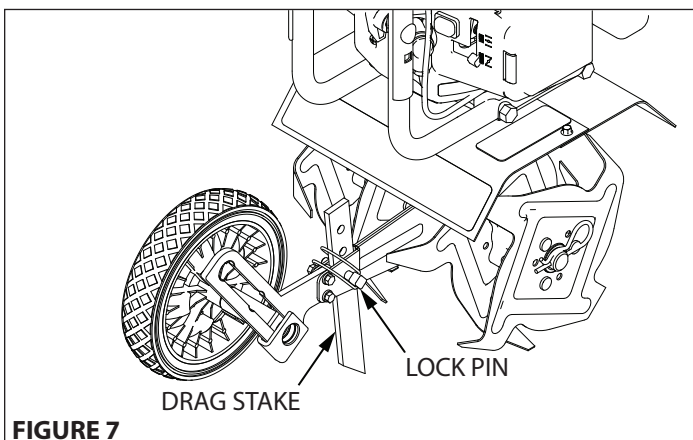


FIGURE 7

WARNING

PRACTICE SAFETY AT ALL TIMES. ENGINE MUST BE TURNED OFF AND ALLOWED TO COOL, AND SPARK PLUG WIRE MUST BE DISCONNECTED BEFORE ATTEMPTING ANY MAINTENANCE OR REPAIR.

TO PREVENT ACCIDENTAL STARTING:

ENGINE MUST BE TURNED OFF AND COOL, AND SPARK PLUG WIRE MUST BE REMOVED FROM SPARK PLUG BEFORE CHECKING AND ADJUSTING ENGINE OR EQUIPMENT.

TEMPERATURE OF MUFFLER AND NEARBY AREAS MAY EXCEED 150° F (65° C). AVOID THESE AREAS.

CHECK CULTIVATOR OFTEN FOR LOOSE NUTS AND BOLTS. KEEP THESE ITEMS TIGHTENED.

NEVER STORE ENGINE WITH FUEL IN THE TANK INSIDE A BUILDING. POTENTIAL SPARKS MAY BE PRESENT FOR IGNITION OF FUEL AND FUEL VAPORS.

AN ADULT MUST ALWAYS DO MAINTENANCE AND REPAIR ON ENGINE AND CULTIVATOR.

ENGINE MUST BE SHUT-OFF, COOL, AND SPARK PLUG WIRE REMOVED BEFORE ANY REPAIR OR MAINTENANCE CAN BE DONE.

MAINTENANCE AND STORAGE

Steps For Working On Equipment (SEE FIGURE 8):

1. Turn engine switch to the **OFF** position.
2. Disconnect the spark plug wire from the spark plug.
3. Securely place the disconnected spark plug wire away from the spark plug and any metal parts. This must always be done or arcing may occur between spark plug wire and metal parts.
4. Replace or repair the part on the cultivator.
5. Check all parts that were repaired, or removed during repair, that they are secure and fit correctly.

NOTE: All repair parts must come from the factory. Never replace parts that are not specifically designed for the cultivator.

6. Reconnect the spark plug wire.

Cultivator Maintenance

1. Keep all screws, nuts, and bolts tight.
2. For cold weather operation, store the unit in a cool environment. Transferring the unit from a cold to a warm place can cause the build up of harmful condensation.

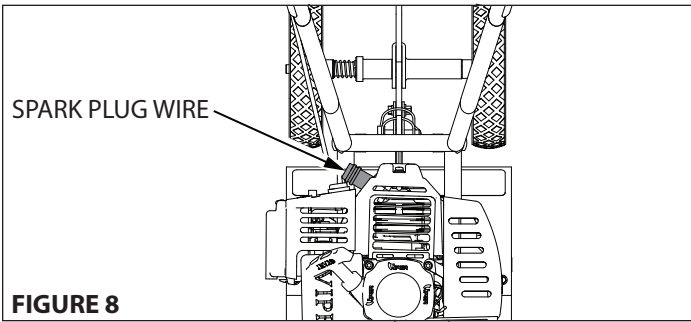


FIGURE 8

Engine Maintenance

Please read the maintenance schedule and observe these recommendations to extend the life of your engine.

Good maintenance is essential for safe, economical, and trouble-free operation. It will also help reduce air pollution. To help you properly care for your engine, the following pages include a maintenance schedule, routine inspection procedures, and simple maintenance procedures using basic hand tools. Other service tasks that are more difficult, or require special tools, are best handled by professionals and are normally performed by a technician or other qualified mechanic.

Maintenance, replacement or repair of the emissions control devices and systems may be performed by any non-road engine repair establishment or individuals. However, items must be serviced by an authorized dealer to obtain "no charge" emissions control service.

The maintenance schedule applies to normal operating conditions. If you operate your engine under unusual conditions, such as sustained high-load or high-temperature operation, or use in unusually wet or dusty conditions, consult your servicing dealer for recommendations applicable to your individual needs and use.

Maintenance Schedule

MAINTENANCE ITEM		Every 8 hours (daily)	Every 20 hours or seasonally	Each Year
Clean Engine and Check Bolts & Nuts		X		
Air Filter (See Air Filter section)	Check	X		
	Clean *		X	
	Replace		X	X
Spark Plug (Gap 0.028") (See Spark Plug section)	Check/Adjust		X	
	Replace			X

* Service more frequently under dusty conditions

Spark Plug

The recommended spark plug is a Torch L7RTC which cross references to a Champion RCJ6Y.

1. Check spark plug at the beginning of each season.
2. Disconnect the spark plug cap, and clean any debris from around the spark plug area.
3. Remove spark plug and replace if any of the following occur; pitted electrodes, burned electrodes, cracked porcelain, or deposits around electrodes.
4. After analysis, seat spark plug and tighten with spark plug wrench. Reconnect the spark plug wire.
 - Reinstall original spark plug, tighten additional 1/2 turn.
 - Installing new spark plug, adjust spark plug gap to 0.027 inch and tighten additional 1/8 – 1/4 turn .

NOTE: A loose spark plug may overheat and damage engine. An over tightened spark plug may damage threads in the cylinder head.

Cooling Fins

Cooling fins, air inlets and linkages must be free from any debris before each use.

Carburetor

Never tamper with factory setting of the carburetor.

Air Filter

Never run engine without air cleaner properly installed. Added wear and engine failure may occur if air cleaner is not installed on engine.

Service air cleaner every 3 months or after 20 hours of operation. Clean filter daily in extremely dusty conditions.

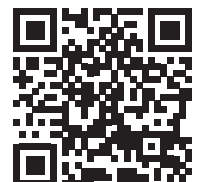
To Replace or Clean Air filter, do as follows:

1. Before removing the air filter cover, move the choke lever to the **CHOKE** position.
2. To remove air filter cover, squeeze the latch tabs on both sides of the cover. **SEE FIGURE 9**
3. Once the latch tabs are released, remove the air filter cover by rotating the cover away from the engine.
4. Remove the foam filter element. Replace with a new oiled foam filter or clean the original foam filter with warm water and mild soap.

***Scan this QR code with your smartphone for helpful hints and tips for using your cultivator. www.getearthquake.com**



You may need to get a QR Code® reader from your smartphone app store. Data rates may apply.



NOTICE

DO NOT TWIST AIR FILTER WHEN CLEANING, ALWAYS PRESS. TWISTING OR TOO MUCH FORCE CAN DAMAGE THE FILTER ELEMENT.

- After cleaning, thoroughly oil the foam filter with 30 or 40 weight motor oil and squeeze out any excess oil before reinstalling it. Make sure to press the foam filter evenly into place over the filter reinforcement plate to ensure that the foam is fully seated into its sealed position.
- Replace the air filter cover so that it fully snaps into place and is secured by the latch tabs. Check that the cover is securely attached by pulling slightly on the cover. If the cover doesn't move when pulled, it is secure.

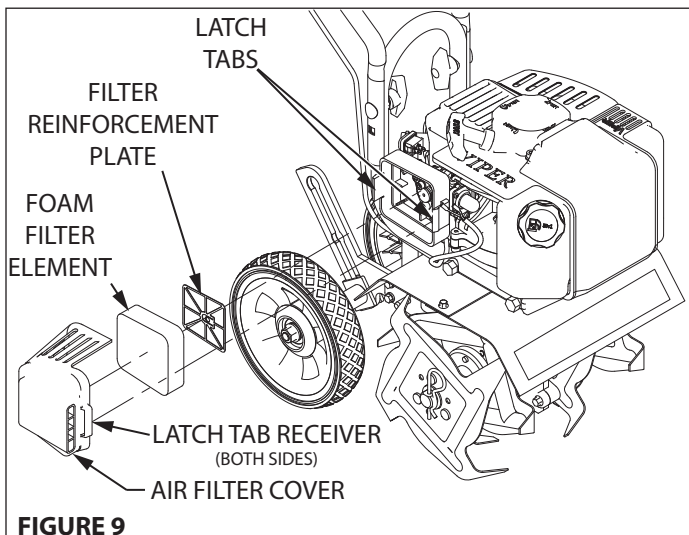


FIGURE 9

⚠ DANGER

DO NOT SIPHON FUEL BY MOUTH. GASOLINE IS TOXIC AND CAN CAUSE SERIOUS PERSONAL INJURY.

NEVER STORE CULTIVATOR WITH FUEL IN THE FUEL TANK INSIDE AN ENCLOSED AREA OR BUILDING. FUEL VAPORS CAN COLLECT AND CAUSE A FIRE.

Transporting Your Cultivator

- After using the cultivator and before transporting it, screw the gas cap on (clockwise) tightly. The gas cap will not leak during transporting if gas cap is tight. Never transport engine inside an enclosed space within a vehicle. Fuel or fuel vapors may ignite causing serious injury or death.
- If fuel is present in the fuel tank, transport in an open vehicle in an upright position.

- If an enclosed vehicle must be used, remove gas into an approved red fuel container. DO NOT siphon by mouth.
- Run engine to use up the fuel in the carburetor and fuel tank. Always run engine in a well ventilated area.
- Wipe away any spilled fuel from engine and cultivator. Allow to dry.
- Ensure gas cap is shut tightly before transporting cultivator in a vehicle.

Long-Term Storage

If your cultivator will not be used for more than one month, prepare it for long term storage.

Steps for Long-Term Storage

- Mix an appropriate amount of fuel stabilizer to fresh gasoline in the ratio recommended on the stabilizer packaging. Run the engine for five minutes to distribute the stabilizer mixture throughout the fuel system. This will prevent gum, varnish and corrosion build up in your fuel system during long-term storage for up to 12 months.
- Store cultivator in an upright position.
- Remove all debris from cultivator tines and engine.

TROUBLESHOOTING AND REPAIR

At *Earthquake*, we build quality and durability into the design of our products; but no amount of careful design by us, and careful maintenance by you, can guarantee a repair-free life for your Earthquake Cultivator. Most repairs will be minor, and easily fixed by following the suggestions in the troubleshooting guide in this section.

The guide will help you pinpoint the causes of common problems and identify remedies.

For more complicated repairs, you may want to rely on an authorized service center or Earthquake. Earthquake will make the necessary repairs if a service center is not available. A parts breakdown is located toward the end of this manual.

We will always be glad to answer any questions you have, or help you find suitable assistance.

Ordering Replacement Parts

Parts can be obtained from an authorized service dealer or direct from the factory. To order parts visit; www.getearthquake.com or call 1-800-345-6007.

For other general questions, you can e-mail us at: info@getearthquake.com.

Please include the following information with your order:

- 1) Part numbers
- 2) Part description
- 3) Quantity
- 4) Model number and serial number

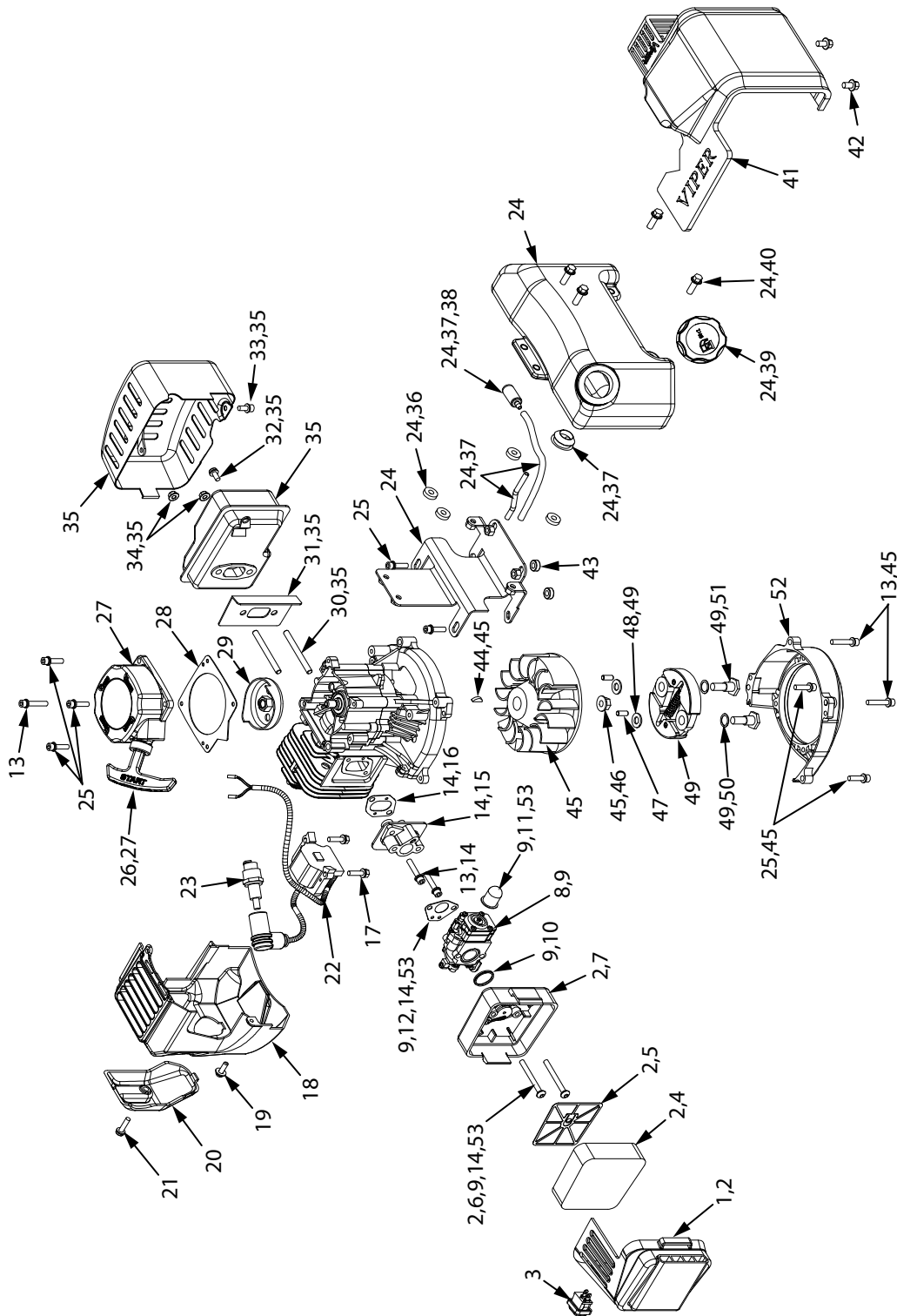
Spare Parts

Only use approved *Earthquake* service parts.

TROUBLESHOOTING GUIDE

PROBLEM	POSSIBLE CAUSE	REMEDY/ACTION
Engine will not start	1. Ignition switch off	1. Flip switch to ON position
	2. Spark plug wire disconnected	2. Connect spark plug wire to spark plug
	3. Out of fuel	3. Refuel
	4. Spark plug wet, faulty or improperly gapped	4. Clean, replace or gap spark plug
	5. Fuel line hose not positioned in bottom of gas tank	5. Push fuel line down into fuel in gas tank
Engine runs rough, floods during operation	1. Dirty air filter	1. Clean or replace air filter
	2. Choke partially engaged	2. Move choke lever to run position
	3. Carburetor out of adjustment	3. Call customer service
Engine is hard to start	1. Stale fuel	1. Drain old fuel and replace with fresh fuel. Use fuel stabilizer at end of season or during long term storage
	2. Spark plug wire loose	2. Make sure spark wire is securely attached to spark plug
	3. Dirty carburetor	3. Clean carburetor, use fuel stabilizer, new gas can
	4. Fuel not primed sufficiently	4. Prime unit 3 more times, then pull recoil handle
Engine misses or lacks power	1. Clogged fuel filter	1. Clean fuel tank, replace fuel filter
	2. Clogged air filter	2. Clean or replace air filter
	3. Carburetor out of adjustment or bad	3. Call customer service
	4. Spark plug wet, faulty or improperly gapped	4. Clean, replace or gap spark plug
Engine runs, then quits	1. Gas cap not venting	1. Clean or replace gas cap, check vent
	2. Plugged fuel filter	2. Clean or replace fuel filter
	3. Carburetor out of adjustment or bad	3. Call customer service
Engine revs too high	1. Carburetor out of adjustment	1. Call customer service
Tines turn at idle	1. Idle speed too high	1. Adjust idle speed lower
	2. Broken clutch spring	2. Replace clutch

ILLUSTRATED PARTS BREAKDOWN - Engine Assembly

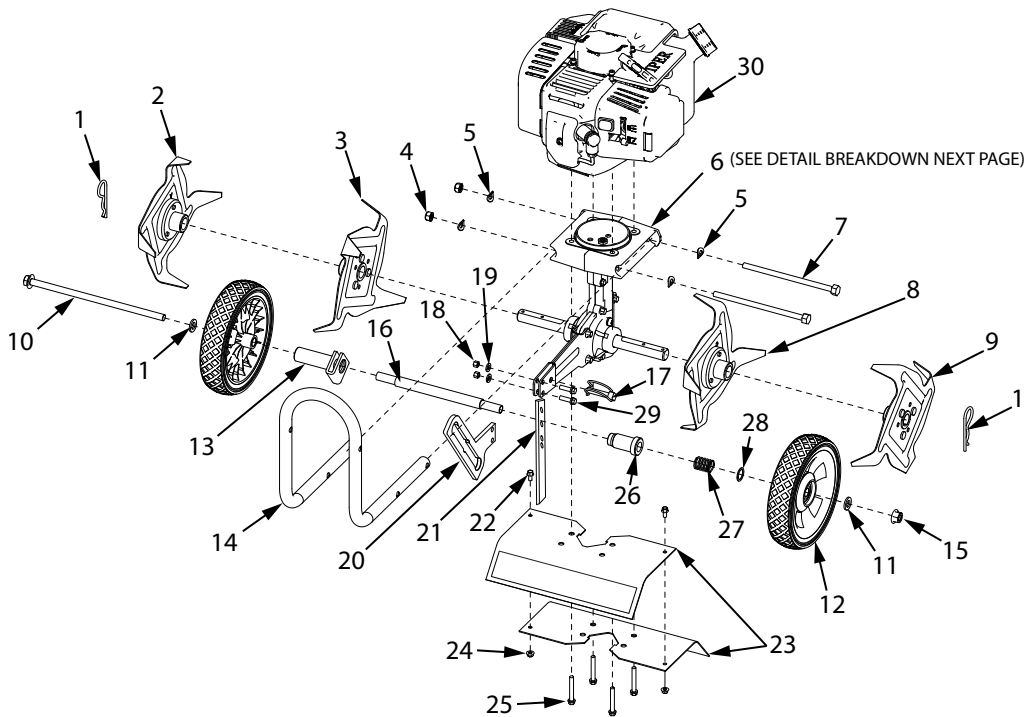


ILLUSTRATED PARTS BREAKDOWN - Engine Assembly

ITEM NO.	PART NO.	DESCRIPTION	QTY.
1	3004158	AIR FILTER COVER	1
2	15230	KIT AIR FILTER ASSEMBLY	1
3	1021	ROCKER SWITCH	1
4	3004156	FOAM ELEMENT AIR FILTER BLOCK	1
5	3004157	AIR FILTER REINFORCEMENT FRAME	1
6	15209	BOLT M5 X 52 WITH WASHER	2
7	3004150	AIR FILTER BASE ASSEMBLY	1
8	15261	CARBURETOR 43CC NO TAMP	1
9	11334	KIT CARBURETOR REPLACEMENT	1
10	300481	CARBURETOR O-RING	1
11	3004109	CARBURETOR PRIMER BULB	1
12	300479	CARBURETOR GASKET	1
13	17952	BOLT M5 X 28 WITH WASHER	5
14	11205	KIT INTAKE MANIFOLD	1
15	300478	WINDPIPE INTAKE	1
16	300476	GASKET INTAKE	1
17	300335	BOLT M5 X 20 HEX HEAD WITH WASHER	2
18	300482	ENGINE SHROUD RED	1
19	10887	BOLT M5 X 16 BUTTON HEAD WITH WASHER	1
20	300483	ENGINE SHROUD CAP END BLACK	1
21	300439	BOLT M5 X 20 BUTTON HEAD WITH WASHER	1
22	26579	IGNITION COIL	1
23	35906	SPARK PLUG L7RTC TORCH	1
24	10683	KIT GAS TANK	1
25	17946	BOLT M5 X 20 WITH WASHER	7
26	3004121	RECOIL HANDLE	1

ITEM NO.	PART NO.	DESCRIPTION	QTY.
27	300430	RECOIL ASSEMBLY	1
28	300429	RECOIL SPACER PLATE	1
29	300491	RECOIL CLUTCH CUP	1
30	300493	STUD M6 X 62	2
31	300475	GASKET MUFFLER HEAT SHIELD	1
32	300471	BOLT M5 X 12 WITH WASHER	1
33	17888	BOLT M5 X 12 SOCKET HEAD WITH WASHER	1
34	300492	NUT M6 X 1 HEX FLANGE	2
35	25977	KIT MUFFLER STRAIGHT EJECTION DPS30	1
36	11190	SPACER M5 X 4 NYLON	4
37	3004105	KIT FUEL LINE TWO HOLE GROMMET	1
38	3004103	FUEL FILTER	1
39	11936	GAS CAP TWO WAY SELF VENTING	1
40	4647	BOLT M6 X 18 HEX FLANGE	4
41	300332	GAS TANK SHROUD BLACK	1
42	300336	BOLT M6 X 10 HEX FLANGE	2
43	11189	SPACER M5 X 5	2
44	300338	KEY WOODRUFF 3 X 5 X 12	1
45	11209	KIT FLYWHEEL	1
46	300337	NUT M8 X 1.25 HEX FLANGE	1
47	300467	DOWEL PIN 5 X 12	2
48	300462	WASHER 15.8 X 8.4 X 1.6	2
49	11235	KIT CLUTCH	1
50	300449	WAVE WASHER 10 X 15 X 0.25	2
51	300450	BOLT M8 X 25 SHOULDER 10	2
52	300487	FLYWHEEL SHROUD	1
53	3004114	KIT CARBURETOR REPAIR	1

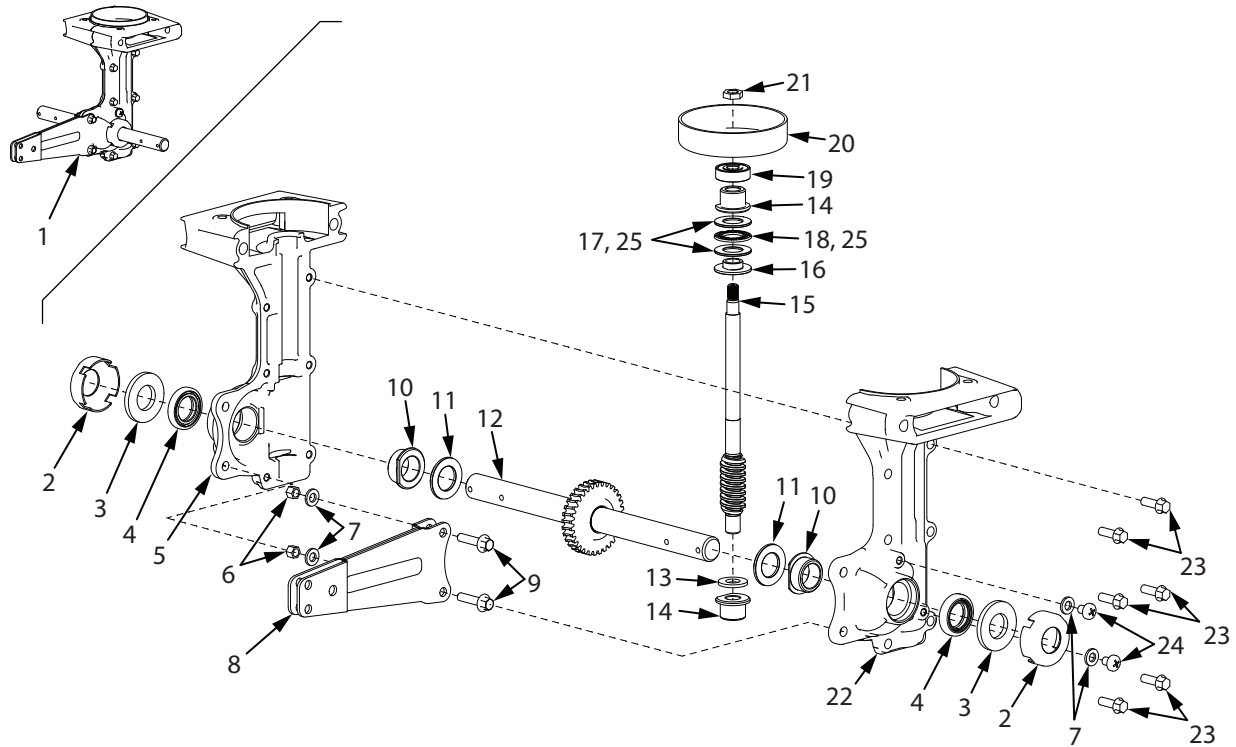
ILLUSTRATED PARTS BREAKDOWN - Hood & Tines Parts Explosion



ITEM NO.	PART NO.	DESCRIPTION	QTY.
1	4652	HAIR PIN, 5/8-3/4 INCH COTTER	2
2	4601	TINE "A" RIGHT OUTSIDE	1
3	4603	TINE "B" RIGHT INSIDE	1
4	400023	NUT M8 NYLOCK	2
5	4641	WASHER M8 CURVED	4
6	26013	TRANSMISSION ASSEMBLY	1
7	46141	BOLT M8 X 1.25 X 155 HEX FLANGE	2
8	4602	TINE "C" LEFT INSIDE	1
9	4604	TINE "D" LEFT OUTSIDE	1
10	4687	BOLT M10 X 1.5 X 231 HEX FLANGE	1
11	2431	WASHER M10 NARROW FLAT	2
12	13189	WHEEL 180 X 38 MM DIAMOND TREAD GREY HUB	2
13	4678	GUIDE WHEEL TUBE	1
14	15104	HANDLEBAR LOWER	1

ITEM NO.	PART NO.	DESCRIPTION	QTY.
15	4629	NUT M10 X 1.5 CENTER LOCK HEX	1
16	4674	WHEEL TUBE	1
17	18039	PIN LOCK 8MM X 40MM	1
18	4650	NUT M6 NYLOCK	2
19	W1200117	WASHER M6 X 13 X 1.75 FLAT	2
20	4673	WHEEL HOLDER	1
21	4600	DRAG STAKE	1
22	176	BOLT M5 X 0.8 X 10 HEX FLANGE	2
23	23441	TINE SHIELD	2
24	400020	NUT M5 X 0.8 NYLOCK FLANGE	2
25	4625	BOLT M6 X 1.0 X 42 HEX FLANGE	4
26	4684	TUBE WHEEL LOCK	1
27	4685	SPRING WHEEL LOCK	1
28	13230	WASHER 21 X 16 X 1 MM	1
29	46142	BOLT M6 X 1.0 X 15 HEX FLANGE	2
30	23433	ENGINE MC43 VIPER	1

ILLUSTRATED PARTS BREAKDOWN - Transmission Parts Explosion

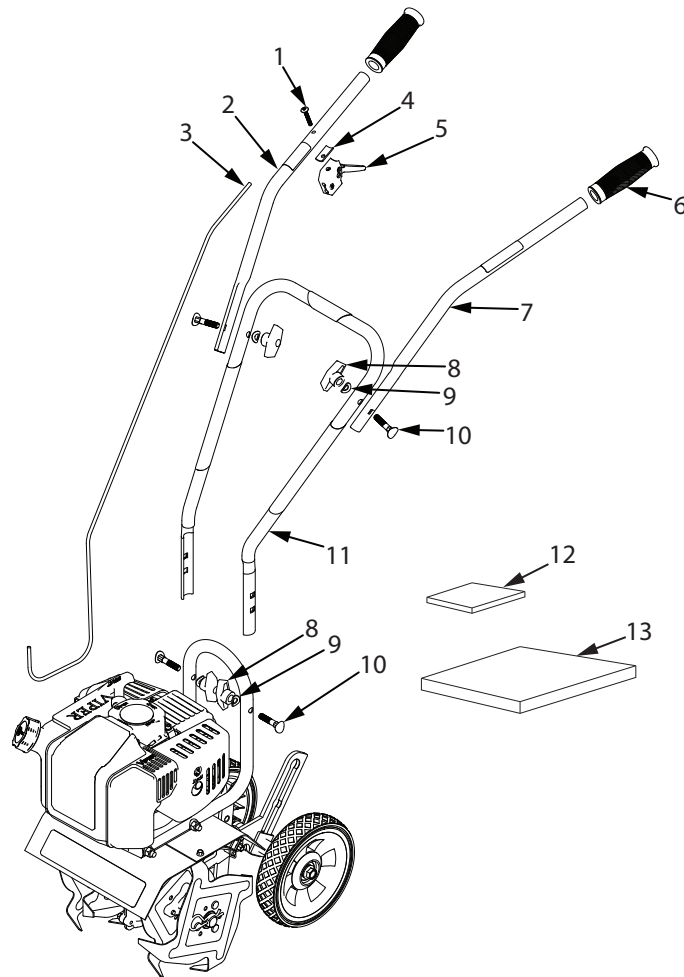


ITEM NO.	PART NO.	DESCRIPTION	QTY.
1	26013	TRANSMISSION ASSEMBLY	1
2	46144	DUST CAP	2
3	4606	FIBER WASHER	2
4	4646	TINE SHAFT SEAL	2
5*	---	TRANSMISSION CASTING LEFT	1
6	4650	NUT M6 NYLOCK	2
7	W1200117	WASHER M6 X 12 X 1 MM	4
8	4633	WHEEL & DRAG STAKE MOUNT	1
9	13600	BOLT M6 X 1.0 X 25 HEX FLANGE	2
10	25159	TINE SHAFT BUSHING STEEL	2
11	4610	TINE SHAFT SHIM	2
12	4651	GEAR AND TINE SHAFT ASSY	1
13	4616	BUSHING SPACER	1

ITEM NO.	PART NO.	DESCRIPTION	QTY.
14	4614	DRIVE SHAFT BUSHING BRONZE	2
15	21953	DRIVE SHAFT	1
16	4617	THRUST BEARING REDUCER	1
17	4618	THRUST WASHER	2
18	4619	THRUST BEARING CAGE	1
19	4623	BALL BEARING 9 X 26 X 8 MM	1
20	300414	CLUTCH DRUM	1
21	4620	JAM NUT M8	1
22*	---	TRANSMISSION CASTING RIGHT	1
23	4647	BOLT M6 X 1.0 X 18 HEX FLANGE	6
24	13447	BOLT M6 X 1.0 X 8 PHILLIPS	2
25	4615	KIT THRUST BEARING SET	1

* PURCHASE TRANSMISSION ASSEMBLY 26013

ILLUSTRATED PARTS BREAKDOWN - Handlebar Parts Explosion



ITEM NO.	PART NO.	DESCRIPTION	QTY.
1	4814	BOLT 10-24 X 1-1/4 PHILLIPS	1
2	23442	HANDLEBAR UPPER RIGHT	1
3	14645	THROTTLE CABLE	1
4	12633	RUBBER PAD	1
5	4809	TRIGGER ASSEMBLY SHORT THROW	1
6	4639	HANDLEBAR GRIP	2
7	23443	HANDLEBAR UPPER LEFT	1
8	4640	T-HANDLE NUT	4
9	4641	CURVED WASHER	4
10	4642	SADDLE BOLT	4
11	4693	HANDLEBAR MIDDLE	1
12	12621	HANDLEBAR PARTS PACKET	1
13	23434	MANUAL PARTS BAG	1

15073 BORDER-EDGER KIT INSTALLATION (OPTIONAL ACCESSORY)

The Border-Edger Kit is a useful tool for making clean cuts in the lawn along the borders of gardens, flower beds, walkways, and driveways for a well manicured look. To install the Border-Edger Kit, do the following:

INSTALLATION

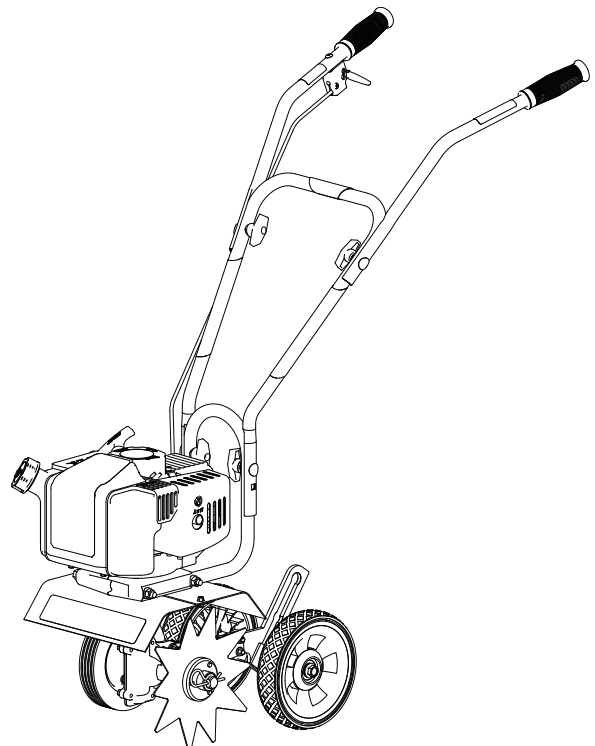
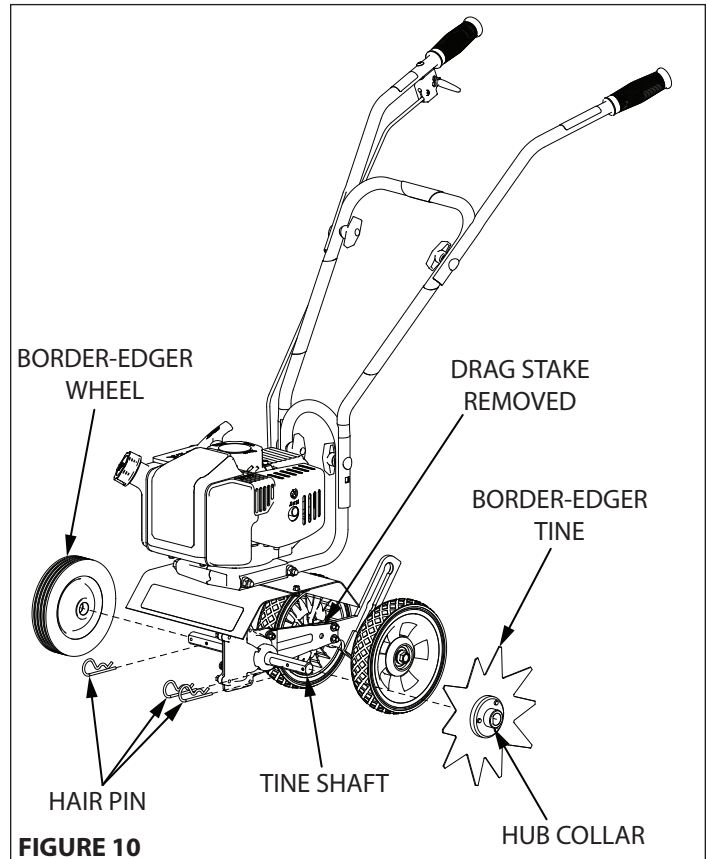
1. Make sure the cultivator is not running by turning the ON/OFF switch to the **OFF** position.
2. Remove the hairpins from both sides of the tine shaft.
3. Remove the cultivating tines from the shaft.
4. Remove the drag stake and lock pin from the unit.
5. Store the tines and save the (2) hairpins; they will be used on the Border-Edger Kit.
6. Slide the border-edger tine onto either side of the tine shaft. Make sure that the hub collar of the border-edger tine faces outward, away from the transmission of the cultivator. **SEE FIGURE 10**
7. Take the (2) hairpins saved in *Step 4* and insert them through the inner and outer holes in the tine shaft on each side of the border-edger tine to secure the tine blade in place on the shaft. **SEE FIGURE 10**
8. Slide the border-edger wheel onto the opposite side of the tine shaft as far as it will go.
9. Insert the remaining (1) hairpin, that came with the kit, through the inner hole to secure the wheel. **SEE FIGURE 10**
10. Set the cultivator wheels to the **HIGHEST** (top) position. **SEE FIGURE 5 (PAGE 12)**

PARTS BREAKDOWN

ITEM NO.	PART NO.	DESCRIPTION	QTY.
1	15009	BORDER-EDGER TINE	1
2	46131	BORDER-EDGER WHEEL	1
3	46134	HAIRPIN	1

CAUTION

BE AWARE THAT THE CULTIVATOR COULD UNEXPECTEDLY BOUNCE UPWARD, OR JUMP FORWARD IF THE TINE STRIKES CONCRETE, PAVEMENT, OR OTHER HARD SURFACES OR HARD OBSTACLES BURIED UNDER GROUND.



DK43 DETHATCHER KIT INSTALLATION (OPTIONAL ACCESSORY)

The Dethatcher Kit is very effective for lifting away the excessive matted layers of thatch that can prevent moisture, oxygen and nutrients from penetrating the soil and can harbor disease and insects. Use in Spring, Summer, and Fall to bring life and color back to your lawn.

1. Turn the ON/OFF switch to the **OFF** position. Remove the cultivating tines or other working tools and the drag stake.
2. Unscrew mount bolts/nuts that connect the wheel bracket to the drag stake mount and set wheel bracket aside. **SEE FIGURE 11**
3. Slide dethatcher shield over the unit's tine shield from the rear of the unit and secure using bolts and nuts. **SEE FIGURES 11 & 12**
4. Secure the lower part of the dethatcher shield to the drag stake mount using the lock pin. **SEE FIGURE 11 & 12**
5. Install wheel extension plate (4676) using additional bolts (46142) and nuts (4650). Make sure wheel extension is facing the correct direction. (The side, with the two holes flush to the edge, connects to the drag stake mount) **SEE FIGURE 11**
 - a. Attach the wheel extension to the drag stake mount with mount bolts and nuts from unit.
 - b. Attach the wheel bracket to the wheel extension with bolts and nuts included with the Dethatcher Kit.
6. Slide the Left and Right Dethatcher Assemblies onto the tine shaft making sure the Right Assembly is installed on the right side and Left Assembly is installed on the left side as defined from the user's position. **SEE FIGURE 13**
7. Secure dethatcher assemblies using the two hairpins (46134) from the Dethatcher Kit through the inner holes of the tine shaft. **SEE FIGURE 13**

NOTE: The drag stake must NOT be used when using the dethatcher kit.

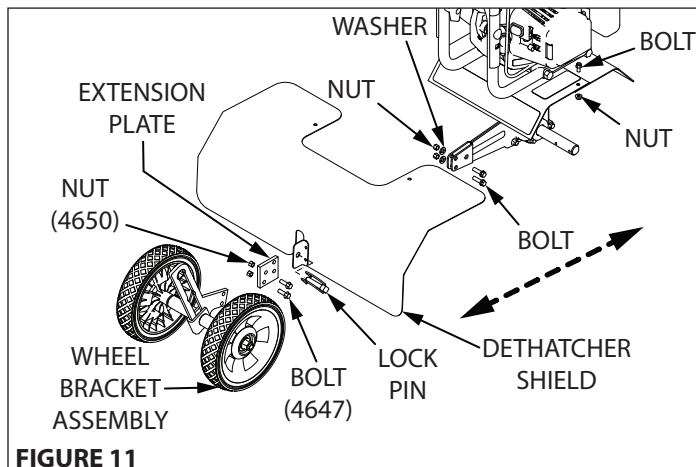


FIGURE 11

ITEM NO.	PART NO.	DESCRIPTION	QTY.
1	46134	HAIR PIN	2
2	4647	BOLT M6 X 1.0 X18 HEX FLANGE	2
3	4650	NUT M6 NYLOCK	2
4	4676	EXTENSION PLATE DETHATCHER	1
5	4707	DETHATCHER ASSEMBLY LEFT	1
6	4708	DETHATCHER ASSEMBLY RIGHT	1
7	4710	DETHATCHER SHIELD	1

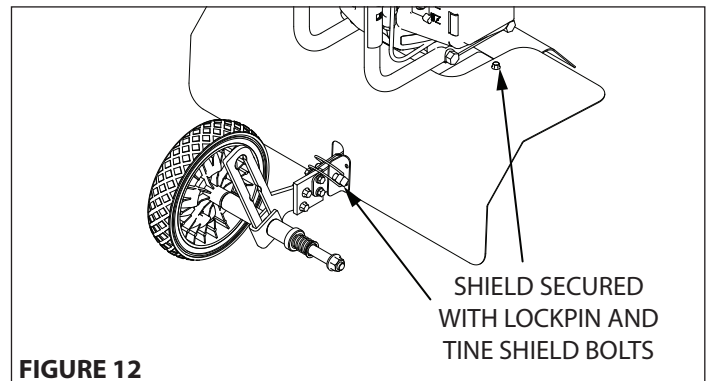


FIGURE 12

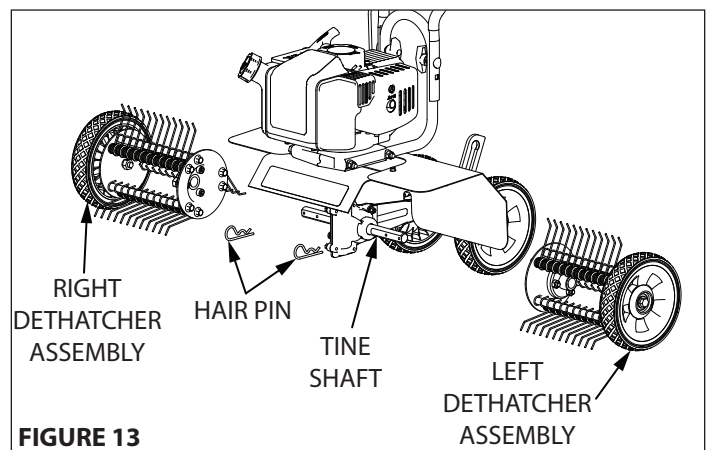
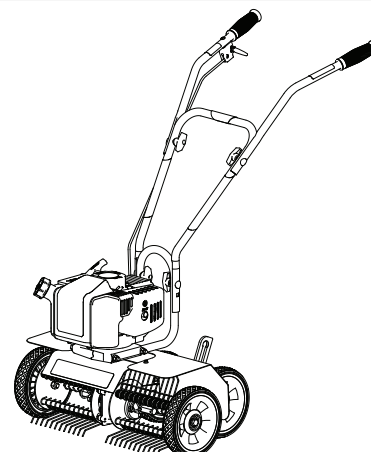


FIGURE 13





WARRANTY TERMS AND CONDITIONS

Ardisam, Inc. (Ardisam) warrants this cultivator under a five-year limited warranty to be free from defects in the material or workmanship or both for a period not exceeding sixty consecutive months from the date of original purchase by the first retail consumer or first commercial end user. This warranty does not apply to the engine mounted on the product. "Consumer use," means personal recreational use by a retail consumer. "Commercial use," or "commercial application" means all other uses, including use for commercial, income producing or rental purposes. Once a product has experienced commercial use, it shall thereafter be considered as a commercial use product for the purpose of this warranty. This warranty applies to the original owner that provides a proof of purchase. This warranty is not transferable. The warranty period begins on the date of purchase by the first retail consumer or commercial end user, and continues for the sixty month consecutive period thereafter. Any unit used in a commercial application is covered for a period of 90 days after purchase by the first commercial end user. For the warranty to be valid, the product must be registered online within 30 days of purchase, or the warranty card must be filled out and received by Ardisam within 30 days of purchase. Ardisam shall not be obligated for transportation charges that result from repair or replacement under the terms of this warranty. Transportation charges are the sole responsibility of the purchaser.

This warranty excludes tines due to normal wear, wear items such as wheels, grips and cables, routine maintenance items such as filter elements, o-rings, seals, lubricants, and tune-ups, rotating parts, accessory parts such as tillage furrowers, edger kits, and dethatcher kits, running the cultivator on straight gasoline or with a fuel:oil ratio other than 50:1. Negligent use such as using the cultivator for a purpose other than for which it was designed and manufactured, continued use of cultivator after sudden change in vibration, using the cultivator in violation of local codes, ordinances and good trade practices voids this warranty. *These warranties apply only to products which have not been subjected to negligent use, abuse, misuse, overload, improper installation, alteration, accident, acts of God (or other events beyond Ardisam's control) lightning, vandalism, unauthorized parts, or if repairs have been performed at a non-authorized service facility. These warranties shall not cover damage from normal wear and tear, normal maintenance parts and services, or improper installation, operation, storage, or maintenance; nor operating the equipment above recommended maximums as stated in this manual and the accompanying engine manual.

This limited warranty applies to defects in the material or workmanship of the product only. There is no other express warranty. Implied warranties, including those of merchantability and fitness for a particular purpose, are limited to one year from purchase, or to the extent permitted by law. All other implied warranties are excluded. Liability for incidental or consequential damages are excluded to the extent exclusion is permitted by law. Ardisam does not assume, and does not authorize any other person to assume for Ardisam, any liability in connection with the sale of Ardisam products. **To be at "No Charge," warranty work must be sent directly to and performed by Ardisam or an Ardisam Authorized Warranty Service Facility.** To obtain warranty service and/or replacement instructions, contact the Ardisam Customer Service Department at 800-345-6007. If you choose to ship your product to Ardisam for warranty repair, you must first have prior approval from Ardisam by calling the Ardisam Customer Service Department for a return material authorization number (RMA#). Under these circumstances, all items must be shipped prepaid. Ardisam will, in its discretion, at no charge, repair or replace any defective part to which this warranty applies. Ardisam retains the right to change models, specifications and price without notice. Ardisam shall not be obligated to ship any repair or replacement product to any location outside of the United States of America or Canada. Some states and countries do not allow the limitations on how long an implied warranty lasts, or the exclusion or limitation of incidental or consequential damages, so the above limitation may not apply to you. This warranty gives you specific legal rights, and you may also have other rights which vary from state to state and country to country.

INTRODUCTION

Merci d'avoir acheté une motobineuse Earthquake®. Nous nous sommes attachés à ce que cette motobineuse réponde aux plus hautes normes d'utilisation et de durabilité. Moyennant des soins corrects, elle offrira de nombreuses années de service fiable.

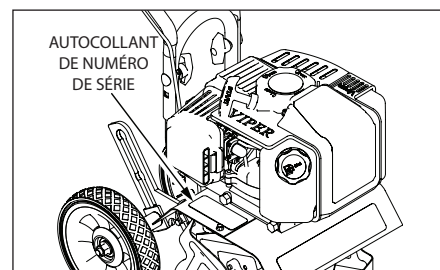
Lire ce manuel en entier avant installation et utilisation. Earthquake® se réserve le droit de changer, modifier ou améliorer ce produit et cette documentation à tout moment sans préavis.

SOMMAIRE

Introduction / Sommaire / Enregistrement et service après-vente	24
Avertissements et mesures de précaution.....	25-28
Précautions d'utilisation / Précautions d'entretien et d'entreposage	28
Brûlures et feux / Autocollants de sécurité	28-29
Caractéristiques	30
Déballage et assemblage	31
Utilisation	31-34
Entretien et entreposage.....	34-36
Dépannage et réparation.....	36-37
Illustration des pièces détachées	38-42
Installation du nécessaire coupe-bordure 15073 (accessoire en option).....	43
Installation du nécessaire scarificateur DK43 (accessoire en option).....	44
Garantie	45

ENREGISTREMENT ET SERVICE APRÈS-VENTE

Consigner le numéro de modèle et le numéro de série du produit dans l'espace prévu pour y accéder facilement lors des commandes de pièces détachées ou des demandes d'assistance technique. À l'exception des articles couverts par la garantie sur le contrôle des émissions, la garantie est valable uniquement si l'enregistrement dûment rempli est reçu par Ardisam dans les 30 jours après l'achat (POUR PLUS DE RENSEIGNEMENTS, VOIR LA SECTION SUR LA GARANTIE). L'enregistrement de la garantie peut se faire en ligne à www.earthquake.com ou par courrier à : Ardisam Inc, 1160 8th Avenue, Cumberland, WI 54829. Il est aussi possible d'appeler notre Service après-vente au (800) 345-6007 du lundi au vendredi de 8h00 à 17h00 HNC.



RENSEIGNEMENTS SUR LE PROPRIÉTAIRE		
Nom du propriétaire :		
Adresse du propriétaire :		
Ville :	État/Province :	Code postal :
Numéro de modèle :	Numéro de série :	
Date d'achat :		
Notes :		

Lire ce manuel et le conserver pour toute consultation ultérieure. Ce manuel contient des renseignements importants sur la SÉCURITÉ, l'ASSEMBLAGE, l'UTILISATION et l'ENTRETIEN. Le client doit s'assurer que toute la documentation sur le produit est fournie avec l'appareil. Cette documentation comprend le MANUEL, la liste des PIÈCES DE RECHANGE et les GARANTIES. Cette documentation doit être fournie en vertu de la réglementation en vigueur. Toutes les personnes à qui cette machine est louée/prêtée doivent avoir accès à ces informations et les comprendre. Le présent manuel doit rester avec le produit, notamment s'il est revendu.

AVERTISSEMENTS ET MESURES DE PRÉCAUTION

Responsabilité du propriétaire

L'assemblage correct et l'utilisation sûre et efficace de la machine relèvent de la responsabilité de l'utilisateur.

- Lire et respecter toutes les instructions de sécurité.
- Suivre avec attention toutes les instructions d'assemblage.
- Entretien de la machine conformément aux instructions et au calendrier figurant dans le manuel de l'utilisateur *Earthquake*.
- S'assurer que quiconque utilise la machine est bien familiarisé avec toutes les commandes et mesures de précaution.

Messages spéciaux

Ce manuel contient des messages spéciaux attirant l'attention sur des problèmes de sécurité et dommages potentiels à la machine, ainsi que des informations utiles sur l'utilisation et l'entretien. Veiller à lire toutes ces informations avec attention pour éviter les blessures et les dommages à la machine.

REMARQUE : Des informations générales sont fournies à travers ce manuel pouvant aider l'opérateur dans l'utilisation ou l'entretien de la machine.

CE SYMBOLE SIGNE DES INSTRUCTIONS DE SÉCURITÉ IMPORTANTES QUI DOIVENT ÊTRE RESPECTÉES POUR NE PAS METTRE EN DANGER LA SÉCURITÉ DES PERSONNES. LIRE ET RESPECTER TOUTES LES INSTRUCTIONS DU MANUEL AVANT DE TENTER DE FAIRE FONCTIONNER CET APPAREIL.



Avant de faire fonctionner le moteur :

Veiller à lire cette section avec attention. Lire l'ensemble des instructions d'utilisation et d'entretien de ce produit. Tout manquement à respecter ces instructions peut entraîner des dégâts matériels, des blessures graves ou la mort. Utiliser la machine conformément aux instructions de sécurité fournies ici et tout au long du manuel. Quiconque utilise cette machine doit lire les instructions et être familiarisé avec les commandes.

Emploi prévu / Emploi détourné prévisible

IMPORTANT : Ceci est une motobineuse rotative motorisée qui travaille le sol au moyen de fraises en rotation. Elle est conçue pour un utilisateur à pied, mais non autotractée, avec un moteur à combustion interne à essence pour entraîner les fraises. Elle ne doit être utilisée à aucune autre fin.



AVIS

AVIS INDIQUE QUE LE MATÉRIEL PEUT ÊTRE ENDOMMAGÉ SI LES INSTRUCTIONS DE SÉCURITÉ QUI SUIVENT CE MOT-INDICATEUR NE SONT PAS RESPECTÉES.

ATTENTION

ATTENTION INDIQUE UN DANGER QUI, S'IL N'EST PAS ÉVITÉ, PEUT PROVOQUER DES BLESSURES CORPORELLES ET/OU DES DÉGÂTS MATÉRIELS.

AVERTISSEMENT

AVERTISSEMENT INDIQUE UN DANGER QUI, S'IL N'EST PAS ÉVITÉ, PEUT PROVOQUER LA MORT OU DES BLESSURES CORPORELLES ET/OU DÉGÂTS MATÉRIELS GRAVES.

DANGER

DANGER INDIQUE UN DANGER QUI, S'IL N'EST PAS ÉVITÉ, PROVOQUERA IMMANQUABLEMENT LA MORT OU DES BLESSURES CORPORELLES ET/OU DÉGÂTS MATÉRIELS GRAVES.

IMPORTANT

IMPORTANT SIGNE DES INFORMATIONS UTILES CONCERNANT L'ASSEMBLAGE, L'UTILISATION OU L'ENTRETIEN DU MATÉRIEL.

AVERTISSEMENT

AVERTISSEMENT PROPOSITION 65 DE CALIFORNIE

L'ÉCHAPPEMENT DU MOTEUR DE CE PRODUIT CONTIENT DES SUBSTANCES CHIMIQUES DÉCLARÉES RESPONSABLES DE CANCER, MALFORMATIONS CONGÉNITALES OU AUTRES ANOMALIES DE LA REPRODUCTION PAR L'ÉTAT DE CALIFORNIE.

AVERTISSEMENT

VEILLER À LIRE, À COMPRENDRE ET À RESPECTER TOUTES LES INSTRUCTIONS DE SÉCURITÉ ET D'UTILISATION FIGURANT DANS CE MANUEL AVANT DE TENTER D'INSTALLER ET DE FAIRE FONCTIONNER VOTRE MACHINE.

TOUT MANQUEMENT À OBSERVER LES INSTRUCTIONS DE SÉCURITÉ ET D'UTILISATION PEUT PROVOQUER DES BLESSURES CORPORELLES GRAVES POUR L'UTILISATEUR ET D'AUTRES PERSONNES PRÉSENTES ET DES DÉGÂTS MATÉRIELS. LE TRIANGLE DANS LE TEXTE SIGNIFIE QUE DES MISES EN GARDES ET AVERTISSEMENTS IMPORTANTS DOIVENT ÊTRE SUIVIS.

Consignes générales de sécurité

- Lire, comprendre et respecter toutes les instructions figurant sur la machine et dans le(s) manuel(s). Veiller à bien se familiariser avec les commandes et la bonne utilisation de la machine avant de la démarrer.
- Utiliser ce matériel exclusivement aux fins prévues.
- Veiller à se familiariser avec tous les autocollants de sécurité et d'exploitation apposés sur ce matériel et sur tous ses outils ou accessoires.
- Ne pas placer les mains ni les pieds sous ou à proximité d'une pièce en rotation.
- Permettre l'utilisation de la machine uniquement à des personnes responsables familiarisées avec les instructions. Ne pas laisser d'enfant utiliser cette machine. Ne pas laisser d'adulte utiliser cette machine sans instruction appropriée.
- Examiner avec soin la zone où la machine doit être utilisée et éliminer tous les objets étrangers. Ce matériel peut projeter violemment de petits objets et provoquer des dégâts matériels ou des blessures graves. Rester à l'écart des objets fragiles, tels que les fenêtres de maison, les automobiles, les serres, etc.
- Porter une tenue adaptée, notamment un blouson ou une chemise à manches longues. Porter également un pantalon long. Ne pas porter de pantalon court. Ne jamais porter de sandales, chaussures de sport ni chaussures ouvertes et ne jamais utiliser la machine pieds nus.
- Ne pas porter de vêtements amples ni de bijoux. Ils peuvent être happés par les pièces en mouvement. Toujours tenir les mains, les pieds, les cheveux et les vêtements amples à l'écart de toute pièce en mouvement du moteur et de la machine.
- Toujours porter des lunettes à coques ou des lunettes de sécurité à écrans latéraux durant l'utilisation de la machine pour protéger les yeux des objets étrangers susceptibles d'être projetés par la machine. Toujours porter une protection auditive.
- Toujours porter des gants de travail et des chaussures robustes. Porter des chaussures offrant une bonne adhérence sur les surfaces glissantes. Les chaussures de chantier ou bottines en cuir conviennent généralement bien. Elles protègent les chevilles et les tibias de l'utilisateur contre les petits bouts de bois, écharde et autres débris.
- Il est conseillé de porter une protection de la tête contre les projections de terre et petits cailloux et pour éviter de heurter les branches basses et autres objets auxquels l'utilisateur n'aurait pas prêté attention.
- Ne pas utiliser la machine si tous les carters de protection et autres dispositifs de sécurité ne sont pas en place.
- Voir les instructions du fabricant concernant l'utilisation et la pose d'accessoires. Utiliser exclusivement des accessoires homologués par le fabricant.
- Travailler uniquement durant la journée ou sous une bonne lumière artificielle.
- Ne pas utiliser ce produit alors qu'on est fatigué ou sous l'emprise de l'alcool, de drogues ou de médicaments susceptibles de provoquer une somnolence ou d'altérer la capacité à utiliser la machine en toute sécurité.
- Ne jamais utiliser la machine dans de l'herbe mouillée. Veiller à toujours avoir le pied ferme; tenir fermement la poignée et marcher avec la machine; ne jamais courir.
- Prendre garde à la circulation lors de travaux à proximité d'une chaussée ou en traversant une rue.
- Si la machine commence à vibrer anormalement, arrêter le moteur, débrancher le câble de bougie et l'empêcher de toucher la bougie. Rechercher immédiatement la cause. Les vibrations signalent généralement un problème. Si le bruit ou les vibrations de la machine augmentent, arrêter immédiatement et contrôler la machine.
- Ne jamais laisser la machine sans surveillance avec le moteur en marche. Débrancher le câble de la bougie.
- Inspecter régulièrement la machine. Vérifier qu'aucune pièce n'est déformée, endommagée ni desserrée.
- La température du silencieux et des zones avoisinantes peut dépasser 65 °C (150 °F). Laisser le silencieux et les surfaces du moteur refroidir avant de les toucher. Ne jamais soulever ni porter la machine avec le moteur en marche.
- L'exposition prolongée au bruit et aux vibrations produits par du matériel à moteur à essence doit être évitée. Faire des pauses intermittentes et/ou porter une protection auditive contre le bruit du moteur, ainsi que des gants de travail épais pour réduire les vibrations dans les mains.
- Maintenir tous les boulons, vis et écrous bien serrés.
- Ne pas transporter la machine d'un endroit à l'autre avec le moteur en marche.
- Toujours déplacer une machine emballée avec l'aide d'une autre personne.
- Consulter la réglementation en vigueur concernant les restrictions d'âge pour l'utilisation de cette machine.

Consignes de sécurité propres au produit

- Ne pas travailler le sol au-dessus de canalisations souterraines, notamment conduites d'eaux, conduites de gaz, câbles électriques ou autres tuyaux. Ne pas utiliser la machine dans un sol contenant de grosses roches et autres objets étrangers susceptibles d'endommager le matériel.
- Après avoir heurté un objet étranger, arrêter le moteur. Débrancher le câble de la bougie. Contrôler l'état de la machine. En cas de dommages, réparer avant de démarrer et d'utiliser la machine.
- Les fraises de la motobineuse ne doivent pas tourner lorsque le moteur est au ralenti. Si elle tourne avec le moteur au ralenti, communiquer avec *Earthquake* pour obtenir des instructions.
- Si un objet s'est logé dans les fraises, couper le moteur, débrancher et attacher le câble de la bougie et laisser refroidir avant de tenter de déloger l'objet étranger.
- L'embrayage transfère un couple maximal au bout d'environ deux heures d'utilisation normale. Durant cette période de rodage, il peut arriver à l'embrayage de patiner. L'embrayage doit être exempt d'huile ou autre humidité pour fonctionner efficacement.

 **DANGER**

LES MOTEURS DÉGAGENT DU MONOXYDE DE CARBONE, UN GAZ TOXIQUE INODORE ET INCOLORE. DU MONOXYDE DE CARBONE PEUT ÊTRE PRÉSENT MÊME SI ON NE PEUT NI SENTIR NI VOIR DE GAZ D'ÉCHAPPEMENT DU MOTEUR. L'INHALATION DE MONOXYDE DE CARBONE PEUT PROVOQUER LA NAUSÉE, LA PERTE DE CONSCIENCE, VOIRE LA MORT, EN PLUS D'UN ÉTAT DE SOMNOLENCE, D'ÉTOURDISSEMENT ET DE CONFUSION.

EN PRÉSENCE DE L'UN DE CES SYMPTÔMES, SORTIR À L'AIR FRAIS ET OBTENIR IMMÉDIATEMENT DES SOINS MÉDICAUX.

 **ATTENTION**

LES GAZ CHAUDS SONT UN SOUS-PRODUIT NORMAL DE LA MARCHE D'UN MOTEUR À COMBUSTION INTERNE. SUIVRE TOUTES LES INSTRUCTIONS DE SÉCURITÉ POUR ÉVITER LES BRÛLURES ET LES INCENDIES.

 **AVERTISSEMENT**

NE JAMAIS ALTÉRER NI MODIFIER LE MOTEUR TEL QU'IL EST LIVRÉ DE L'USINE. LA MODIFICATION OU L'ALTÉRATION DU MOTEUR PEUT ENTRAÎNER DES BLESSURES GRAVES OU LA MORT.

AVANT DE TRAVAILLER SUR LE MOTEUR OU LA MACHINE OU DE CHANGER DES PIÈCES, VEILLER À TOUJOURS METTRE L'INTERRUPTEUR MARCHÉ/ARRÊT EN POSITION ARRÊT.

Mesures de précautions concernant le moteur

Si le produit est fourni avec manuel séparé pour le moteur, veiller à bien le lire et à suivre toutes les mises en garde et mesures de précaution qu'il contient, en plus de celles de ce manuel.

Pour éviter l'intoxication au monoxyde de carbone

- Toujours démarrer et faire tourner le moteur à l'extérieur. Ne pas démarrer ni faire tourner le moteur dans un espace fermé, même avec des portes ou des fenêtres ouvertes.
- Ne jamais essayer de ventiler l'échappement du moteur à l'intérieur. Le monoxyde de carbone peut atteindre des niveaux dangereux très rapidement.
- Ne jamais faire fonctionner le moteur à l'extérieur à un endroit où les gaz d'échappement peuvent être aspirés dans un bâtiment.
- Ne jamais faire fonctionner le moteur à l'extérieur dans un endroit mal aéré où les gaz d'échappement peuvent être piégés et difficiles à dissiper (exemples : fond de fouille ou aires de travail entourées de collines).
- Ne jamais faire tourner le moteur dans un endroit fermé ou partiellement fermé (exemples : bâtiments fermés sur un ou plusieurs côtés, sous une tente, abri à voiture ou sous-sol).
- Toujours faire fonctionner le moteur avec l'échappement et le silencieux pointés dans la direction opposée à l'utilisateur.
- Ne jamais diriger le silencieux d'échappement vers quiconque. Les personnes présentes doivent toujours se tenir à plusieurs mètres de distance du moteur en marche et de ses accessoires.
- Ne pas modifier les réglages du régulateur de moteur ni faire tourner le moteur en sursrégime.

Feux d'essence et manipulation sécuritaire du carburant

Faire preuve d'extrême prudence lors de la manipulation de l'essence et de tout autre carburant. Ils sont inflammables et les vapeurs sont explosives.

- Veiller à bien entreposer la réserve de carburant dans un bidon approprié et à l'écart de tout risque d'incendie.
- Empêcher tout incendie ou explosion sous l'effet d'une décharge d'électricité statique. Utiliser exclusivement des bidons à carburant portables non métalliques homologués par Underwriter's Laboratory (U.L.) ou par l'American Society for Testing & Materials (ASTM).
- Ne jamais ouvrir le bouchon du réservoir ni ajouter du carburant avec le moteur en marche. Arrêter le moteur et le laisser refroidir avant de refaire le plein.
- Ne jamais vidanger le carburant du moteur dans un endroit fermé.

- Toujours faire le plein du réservoir d'essence à l'extérieur, dans un endroit bien aéré. Ne jamais remplir le réservoir à l'intérieur (exemples : sous-sol, garage, grange, remise, maison, galerie, etc.). Ne jamais remplir le réservoir près d'appareils à veilleuse, réchauffeurs et autres sources d'inflammation. Si le réservoir doit être vidangé, le faire à l'extérieur. Le carburant vidangé doit être conservé dans un bidon spécifiquement conçu pour le carburant ou il doit être éliminé avec précaution.
- Toujours essuyer l'excédent (débordement) de carburant de la surface du moteur avant de démarrer. Nettoyer immédiatement tout carburant déversé par accident. En cas de déversement accidentel, ne pas démarrer le moteur mais éloigner le produit et le bidon de carburant de la zone. Nettoyer le carburant déversé et le laisser s'évaporer et sécher après avoir essuyé et avant de démarrer.
- Laisser les fumées/vapeurs de carburant s'échapper de la zone avant de démarrer le moteur.
- Vérifier que le bouchon du réservoir est correctement en place avant de démarrer le moteur.
- Toujours faire fonctionner le moteur avec le bouchon de réservoir correctement fermé.
- Ne jamais fumer en remplissant le réservoir de carburant du moteur.
- Ne pas entreposer le moteur à l'intérieur avec du carburant dans le réservoir. Le carburant et ses vapeurs sont très explosifs.

Préparation

- Porter une tenue adaptée à l'utilisation de la motobineuse. Toujours porter des chaussures robustes. Ne jamais porter de sandales, de chaussures de sport ni de chaussures ouvertes et ne jamais utiliser la motobineuse pieds nus. Ne pas porter de vêtements amples susceptibles d'être happés dans les pièces en mouvement.
- Contrôler avec soin la surface à biner et éliminer tous les objets étrangers. Ne pas travailler le sol au-dessus de conduites d'eau, conduites de gaz, câbles électriques ou autres tuyauteries souterraines. Ne pas utiliser la motobineuse dans un sol contenant de grosses roches et autres objets étrangers susceptibles d'endommager le matériel.

- Manipuler le carburant avec précaution, il est très inflammable.
- a. Utiliser un bidon à carburant homologué.
- b. Ne jamais refaire le plein de carburant avec le moteur en marche ou encore chaud.
- c. Faire le plein du réservoir de carburant à l'extérieur avec beaucoup de précaution. Ne jamais refaire le plein de carburant à l'intérieur.
- d. Bien remettre le bouchon d'essence en place et nettoyer tout déversement accidentel de carburant avant de redémarrer.

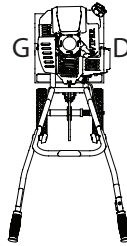
- Prendre toutes les mesures de précaution possibles si la machine est laissée sans surveillance. Relâcher la commande des gaz, arrêter le moteur, attendre l'arrêt complet de toutes les pièces en mouvement et s'assurer que les écrans et carters de protection sont en place.
- Avant de quitter le poste de travail pour une quelconque raison :
 - arrêter le moteur.
 - attendre l'arrêt complet de toutes les pièces en mouvement.

AVIS

LES CÔTÉS DROIT ET GAUCHE DE LA MOTOBINEUSE SONT DÉFINIS À PARTIR DE LA POSITION DE CONDUITE ALORS QU'ON FAIT FACE À LA DIRECTION DE DÉPLACEMENT VERS L'AVANT.

LE MOTEUR 2 TEMPS UTILISE UN MÉLANGE ESSENCE-HUILE DANS LA PROPORTION 50:1.

NE PAS UTILISER D'ESSENCE PURE NON MÉLANGÉE SOUS PEINE D'ENDOMMAGER LE MOTEUR.



PRÉCAUTIONS D'ENTRETIEN ET D'ENTREPOSAGE

- Maintenir la machine, les outils et les accessoires en bon état de marche.
- Contrôler fréquemment le bon serrage des boulons de cisaillement, des boulons de fixation du moteur et des autres boutons pour s'assurer que le matériel est en bon état de marche.
- Pour éviter les démarrages accidentels, toujours débrancher le câble de bougie et l'attacher à l'écart de la bougie avant d'effectuer l'entretien de la motobineuse.
- Ne jamais faire fonctionner le moteur à l'intérieur. Les gaz d'échappement sont mortels.
- Toujours laisser le silencieux refroidir avant de refaire le plein de carburant.
- Ne jamais entreposer la machine avec de l'essence dans le réservoir à l'intérieur d'un bâtiment fermé où les vapeurs peuvent atteindre une flamme nue ou une étincelle. Laisser le moteur refroidir avant de l'entreposer dans un quelconque bâtiment.
- Toujours se reporter aux instructions détaillées du manuel de l'utilisateur si la motobineuse doit être entreposée pendant une durée prolongée.

PRÉCAUTIONS D'UTILISATION

- Ne pas utiliser la motobineuse alors qu'on est sous l'emprise d'alcool ou de drogue.
- Ne jamais utiliser la motobineuse sans tous ses capots, carters et protections en place.
- Tenir les mains, les pieds et les vêtements à l'écart des pièces en rotation. Se tenir en permanence à l'écart des fraises de la motobineuse.
- Les fraises tournent lorsque la motobineuse est embrayée; les fraises tournent lorsque le levier de commande de traction est tiré vers le haut. Les fraises s'arrêtent si le levier de commande de traction est relâché et revient en position neutre.
- Faire preuve de beaucoup de précaution lors de l'utilisation sur ou à travers des allées, chemins ou routes en gravier. Prendre garde aux dangers cachés et à la circulation.
- Après avoir heurté un objet étranger, arrêter le moteur, débrancher le câble de la bougie, contrôler avec soin l'état de la motobineuse et réparer tout dommage avant de redémarrer et d'utiliser la motobineuse.
- Si de la végétation se prend dans les fraises, arrêter le moteur et débrancher le câble de la bougie avant d'enlever la végétation à la main.
- Si la machine commence à vibrer anormalement, arrêter le moteur et rechercher immédiatement la cause. Les vibrations signalent généralement un problème.
- Ne pas faire fonctionner le moteur à l'intérieur; les gaz d'échappement sont mortels.
- Ne pas forcer la machine au-delà de sa capacité en tentant de biner trop profondément à une vitesse d'avance trop rapide.
- Ne jamais utiliser la motobineuse si l'éclairage ou la visibilité sont insuffisants.

BRÛLURES ET FEUX

Le silencieux, le protège-silencieux et d'autres pièces du moteur deviennent extrêmement chauds durant la marche du moteur. Ces pièces restent très chaudes après l'arrêt du moteur.

Prévention des brûlures et des incendies

- Ne jamais démonter le protège-silencieux du moteur.
- Ne jamais toucher le protège-silencieux parce qu'il est extrêmement chaud et provoquerait des blessures graves.
- Ne jamais toucher les pièces du moteur qui deviennent chaudes après la marche.
- Toujours tenir tous matériaux et débris à l'écart du protège-silencieux et autres pièces chaudes du moteur pour écarter les risques de feu.

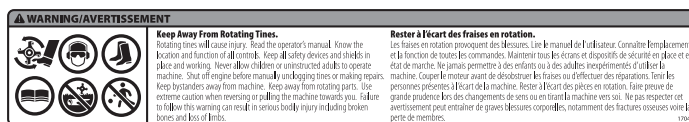
Enfants et personnes présentes

Il peut se produire des accidents tragiques si l'utilisateur n'est pas conscient de la présence d'enfants et/ou autres personnes. Ne jamais supposer que les autres personnes resteront toujours au même endroit.

- Éloigner tout le monde de la zone de travail, en particulier les jeunes enfants et les animaux. Confier la surveillance des enfants à un adulte responsable.
- Rester alerte et arrêter la machine si des enfants entrent dans la zone de travail.
- Avant et durant les déplacements à reculons, regarder derrière soi et vers le bas pour vérifier qu'il n'y a pas de petits enfants.
- Ne jamais laisser d'enfant utiliser la machine.
- Faire preuve de beaucoup de prudence lors de l'approche de virages sans visibilité, d'arbustes, d'arbres ou autres objets susceptibles de bloquer la vue.

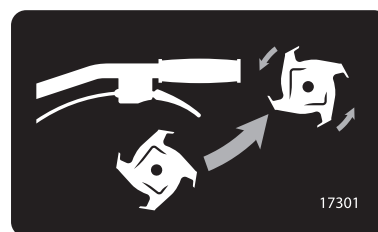
Entretien

- Toujours arrêter le moteur avant de s'éloigner de la machine et avant de la nettoyer, la réparer ou la contrôler. Le moteur doit être à l'arrêt et froid. Ne jamais effectuer des réglages ou des réparations avec le moteur en marche. Mettre l'interrupteur MARCHE/ARRÊT en position **ARRÊT** pour éviter les démarrages accidentels.
- Toujours porter une protection oculaire pour effectuer des réglages ou des réparations.
- Maintenir tous les écrous et boulons bien serrés et le matériel en bon état.
- Ne jamais altérer les dispositifs de sécurité. Vérifier régulièrement leur bon fonctionnement.
- Lors de l'entretien ou des réparations, ne pas basculer ni retourner la machine sauf sur instruction spécifique dans ce manuel. Les procédures d'entretien et de réparation peuvent se faire avec la machine en position verticale. Certaines procédures sont plus faciles à effectuer si la machine est sur une plateforme surélevée ou un plan de travail.
- Pour réduire le risque d'incendie, éviter toute accumulation d'herbes, de feuilles et autres débris sur la machine. Nettoyer les déversements d'huile ou de carburant. Laisser la machine refroidir avant de la ranger.
- Arrêter et contrôler le matériel après avoir heurté un objet. Réparer, le cas échéant, avant de redémarrer.
- Nettoyer et remplacer les autocollants de sécurité et d'instruction comme il se doit.
- Contrôler la machine avant de la remiser. Lorsqu'elle n'est pas utilisée, mettre l'interrupteur MARCHE/ARRÊT en position **ARRÊT** et entreposer la machine à l'intérieur dans un endroit sec verrouillé ou normalement inaccessible aux enfants.
- Utiliser exclusivement des pièces *Earthquake* d'origine, y compris tous les écrous et boulons.



N° réf. 17048

Autocollant d'avertissement de motobineuse - Garde-boue



N° réf. 17301

Autocollant de commande des gaz - Guidon droit

**When starting engine,
place free hand here.
Pour démarrer le moteur,
placer le main libre ici.**

17918

N° réf. 17918

Autocollant de placement de la main libre au démarrage -
Guidon gauche

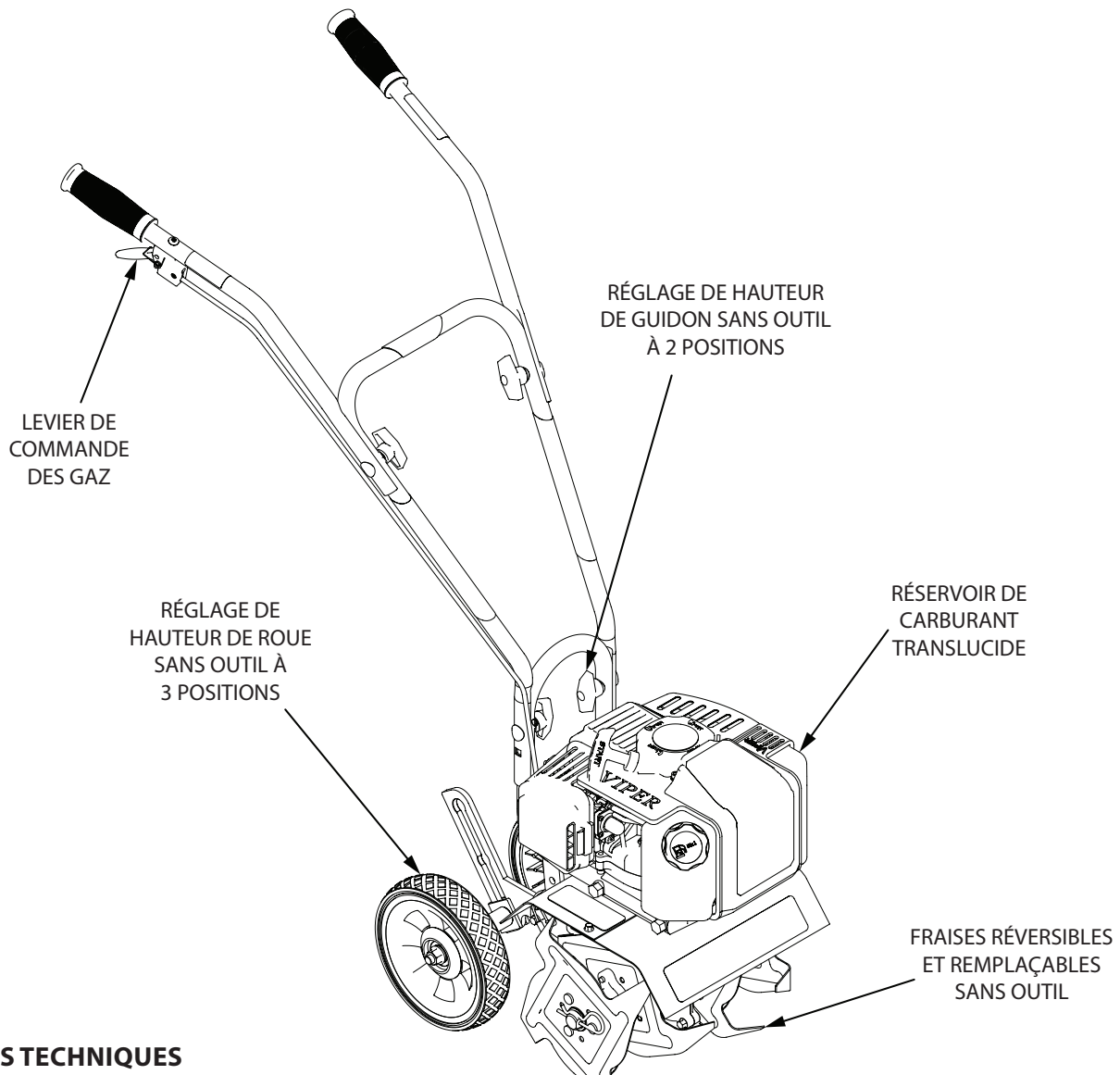
AUTOCOLLANTS DE SÉCURITÉ

Cette motobineuse est conçue et fabriquée pour offrir toute la sécurité et la fiabilité qu'on est en droit d'attendre d'un leader du marché de l'outillage motorisé pour travaux extérieurs.

Le présent manuel et les instructions de sécurité qu'il contient fournissent les connaissances de base nécessaires pour utiliser ce matériel efficacement et en toute sécurité. Nous avons apposé un autocollant de sécurité sur la motobineuse pour rappeler certaines de ces informations importantes à l'opérateur durant l'utilisation de la machine.

Ces illustrations ont pour objet de familiariser l'opérateur avec l'emplacement et le contenu de ces importants autocollants de sécurité, visibles durant les opérations normales de travail de sol. Veiller à les passer en revue maintenant et, en cas de doute concernant leur signification ou le respect de ces instructions, relire complètement les instructions de sécurité du manuel.

CARACTÉRISTIQUES



DONNÉES TECHNIQUES

CYLINDRÉE DU MOTEUR	43 cc
CAPACITÉ RÉSERVOIR DE CARBURANT	1,06 l
RATIO HUILE/ESSENCE	50:1 - 2 cl par litre
TYPE D'HUILE	Huile moteur 2 temps Viper (N° réf. : 16890)
TYPE DE CARBURANT	Essence d'indice d'octane de 87 minimum. REMARQUE : Si une essence contenant de l'éthanol est utilisée, il est conseillé d'ajouter un stabilisateur de carburant dans les proportions spécifiées par le fabricant.

BOUGIE	L7RTC
ÉCARTEMENT BOUGIE	0,69 mm (0,027 po)
TRANSMISSION	Réducteur à engrenages en bronze
RAPPORT D'ENGRENAGE	32:1
LARGEUR DE TRAVAIL	15 cm min. à 25 cm max. (6 à 10 po)
PROFONDEUR DE TRAVAIL	20 cm max. (8 po)
VITESSE DES FRAISES	250 tr/min max.
DIMENSION DES ROUES	17,8 cm de dia. x 3,5 cm de largeur (7,0 po x 1,375 po)
POIDS DE LA MACHINE	15 kg (33 lb)
TAILLE ASSEMBLÉE	(L x l x h) 89 cm x 46 cm x 97 cm (35 x 18 x 38)

DÉBALLAGE ET ASSEMBLAGE

Déballage de la motobineuse

1. Soulever la motobineuse avec précaution hors de la caisse, enlever tous les matériaux d'emballage et couper toutes les attaches qui maintiennent les pièces du guidon sur la motobineuse.
2. Trouver le paquet de pièces. Le paquet de pièces contient :
 - 4 - Écrous à bouton en té (4640)
 - 4 - Rondelles incurvées (4641)
 - 4 - Vis à tête incurvée (4642)

Assemblage

1. Poser la motobineuse en position verticale avec les fraises et les roues sur une surface de niveau. Les roues doivent être réglées à la position la plus basse. **NE PAS** placer la motobineuse sur une surface élevée d'où elle peut chuter et provoquer des dégâts matériels ou des blessures corporelles.
2. Avec deux écrous à bouton en té, deux vis à tête incurvée et deux rondelles incurvées, attacher l'arceau de guidon intermédiaire à l'arceau de guidon inférieur, qui est déjà raccordé à la motobineuse. L'arceau de guidon intermédiaire peut être monté en position haute ou basse. **NE PAS** serrer excessivement les écrous à bouton en té. **VOIR FIGURE 1**
3. Attacher les branches droite et gauche du guidon à l'arceau de guidon intermédiaire avec les deux écrous à bouton en té, vis à tête incurvée et rondelles incurvées restants. **VOIR FIGURE 1. NE PAS serrer excessivement les écrous à bouton en té.**
4. La barre de trainée est expédiée avec la pointe vers le haut. Avant utilisation, retirer la goupille d'arrêt et retourner la barre de trainée afin de placer la pointe en position basse vers les fraises. Remettre la goupille d'arrêt en place.

VOIR FIGURE 2

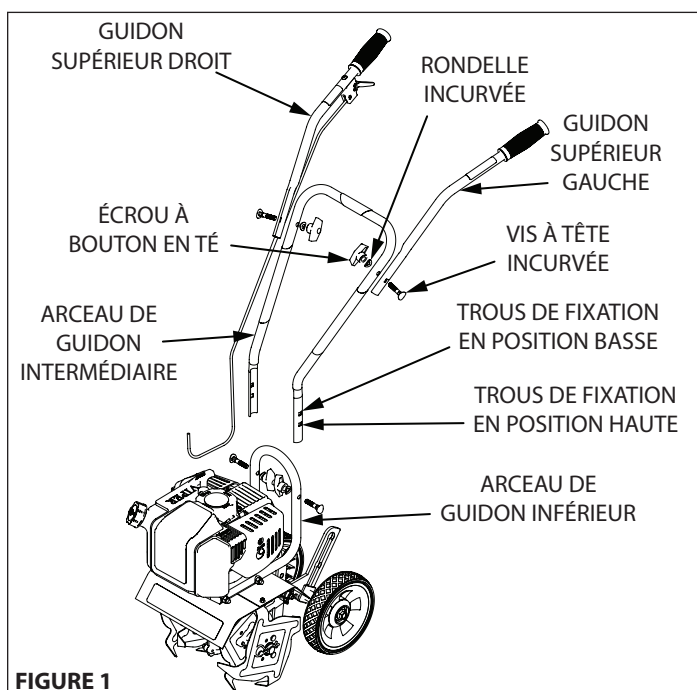


FIGURE 1

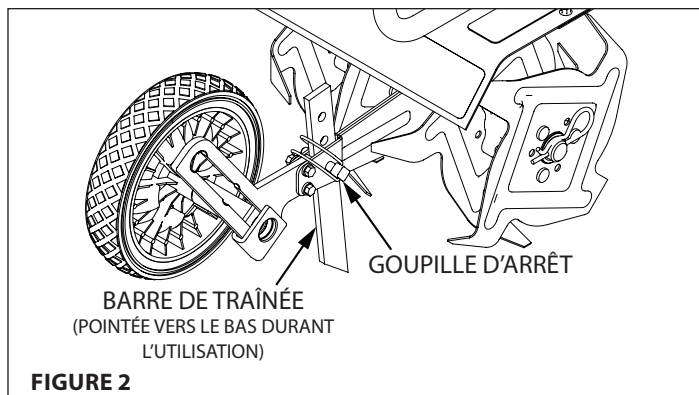


FIGURE 2

UTILISATION

Conseils d'utilisation

1. L'embrayage transfère un couple maximal au bout d'environ deux heures d'utilisation normale. Durant cette période de rodage, il peut arriver à l'embrayage de patiner. L'embrayage doit être exempt d'huile et autre humidité pour fonctionner efficacement.
2. Travailler la terre sans exercer de poids excessif sur la machine. La motobineuse fonctionne plus efficacement sous son propre poids seulement.

IMPORTANT

NOUS CONSEILLONS D'UTILISER L'HUILE 2 TEMPS DE MARQUE « VIPER » (RÉF. 16890) OU UNE HUILE 2 TEMPS DE HAUTE QUALITÉ ÉQUIVALENTE CONÇUE POUR LES MOTEURS 2 TEMPS REFROIDIS PAR AIR, AFIN D'ASSURER UN FONCTIONNEMENT CORRECT DU MOTEUR TOUT AU LONG DE SA DURÉE DE SERVICE. UTILISER UNE ESSENCE DE QUALITÉ, DE PRÉFÉRENCE CONTENANT PEU OU PAS D'ÉTHANOL.

Préparer le moteur pour le démarrage

Préparer le mélange et remplir le réservoir

ESSENCE	HUILE	PROPORTION
4 litres	80 ml	50:1
8 litres	160 ml	50:1
20 litres	400 ml	50:1

REMARQUE : Faire fonctionner le moteur avec une proportion essence-huile de 50:1.

1. Le mélange de carburant doit être préparé dans un bidon à l'extérieur dans un endroit bien aéré.
2. Remplir un bidon à carburant homologué au quart plein avec l'essence recommandée.
3. Ajouter la quantité recommandée d'huile 2 temps.
4. Visser le capuchon du bidon de carburant bien droit et serré.
5. Agiter le bidon pour mélanger l'huile et l'essence.
6. Dévisser le capuchon lentement pour laisser s'échapper la pression, puis ajouter le reste de la quantité d'essence requise.
7. Essuyer toute huile ou essence déversée et laisser évaporer avant de déplacer ou de transporter la machine.

AVERTISSEMENT

NE PAS ENTREPOSER LE MOTEUR À L'INTÉRIEUR AVEC DU CARBURANT DANS LE RÉSERVOIR. LE CARBURANT ET SES VAPEURS SONT TRÈS INFLAMMABLES.

NE JAMAIS MÉLANGER LE CARBURANT ET L'HUILE DIRECTEMENT DANS LE RÉSERVOIR DE CARBURANT DU MOTEUR. UTILISER EXCLUSIVEMENT DES BIDONS À CARBURANT PORTABLES NON MÉTALLIQUES HOMOLOGUÉS PAR UNDERWRITER'S LABORATORY (U.L.) OU PAR L'AMERICAN SOCIETY FOR TESTING & MATERIALS (ASTM).

LA MANIPULATION ET LE REMPLISSAGE DE CARBURANT DOIVENT TOUJOURS ÊTRE EFFECTUÉS PAR UN ADULTE.

TOUJOURS MANIPULER LE CARBURANT DANS UN ENDROIT BIEN AÉRÉ, À L'EXTÉRIEUR, À L'ÉCART DE FLAMMES OU D'ÉTINCELLES.

NE PAS DÉMARRER LE MOTEUR EN CAS DE DÉVERSEMENT ACCIDENTEL DE CARBURANT. ESSUYER LE CARBURANT DÉVERSÉ ET LAISSER SÉCHER. ÉLOIGNER LE MOTEUR DE LA ZONE POUR ÉVITER LES ÉTINCELLES.

NE JAMAIS FAIRE FONCTIONNER LE MOTEUR À L'INTÉRIEUR. LES GAZ D'ÉCHAPPEMENT SONT MORTELS.

VEILLER À RESPECTER CES MISES EN GARDE POUR ÉVITER LES RISQUES DE DOMMAGES MATÉRIELS ET DE BLESSURES CORPORELLES.

AVIS

CE MOTEUR UTILISE UN MÉLANGE D'ESSENCE-HUILE. NE PAS FAIRE FONCTIONNER AVEC DE L'ESSENCE PURE, CELA ENDOMMAGE LE MOTEUR.

Remplir le réservoir de carburant

1. Couper le moteur et le laisser refroidir complètement avant de refaire le plein du réservoir.
2. Se placer dans un endroit bien aéré, à l'extérieur, à l'écart de flammes et d'étincelles.
3. Nettoyer les saletés autour du bouchon du réservoir.
4. Desserrer lentement le bouchon du réservoir. Poser le bouchon sur une surface propre et sèche.
5. Ajouter le carburant avec précaution sans en renverser.
6. Ne pas remplir complètement le réservoir, prévoir de l'espace pour la dilatation du carburant.
7. Remettre immédiatement le bouchon de réservoir en place et le serrer. Essuyer tout carburant déversé et laisser sécher avant de démarrer le moteur.

Dépose et pose des fraises

Pour déposer les fraises : **VOIR FIGURE 3**

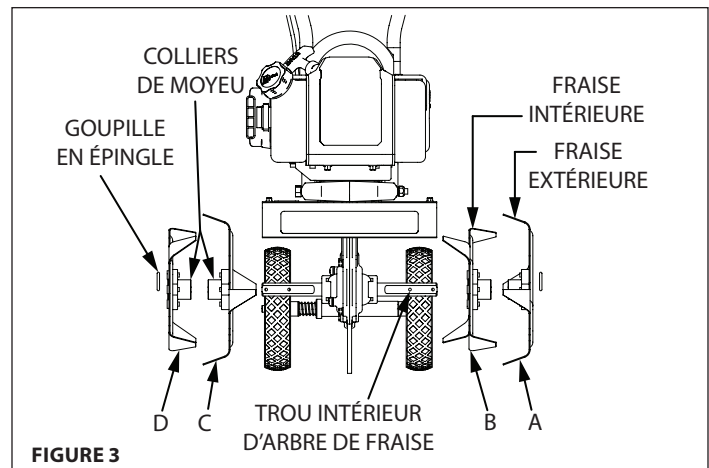
1. Retirer les goupilles en épingle de chaque extrémité de l'arbre de fraises.
2. Glisser les quatre fraises hors de l'arbre.

Poser les fraises

1. Enfiler d'abord les fraises intérieures de chaque côté de l'arbre de fraises. L'une des fraises intérieures est estampée d'un **B** et l'autre d'un **C**.
2. Enfiler ensuite les fraises extérieures **A** et **D** sur les deux côtés de l'arbre de fraises. Les fraises doivent être posées dans l'ordre **A, B, C, D** de gauche à droite lorsqu'elles sont vues depuis la position de conduite de la motobineuse. S'assurer que les colliers de moyeu sur les paires droite et gauche de fraises sont face à face de telle manière qu'il y ait un espace suffisant entre les lames de fraises.
3. Enfiler les goupilles en épingle dans les trous à chaque extrémité de l'arbre pour bloquer les fraises en place.

REMARQUE : *Les fraises peuvent être inversées de façon à tourner les pointes de fraises vers l'avant, pour produire un binage plus vigoureux. Dans cette configuration, les fraises sont placées dans l'ordre D, C, B, A de gauche à droites vues depuis la position de conduite.*

Pour réduire la largeur de binage de 25 cm à 15 cm (10 po à 6 po), retirer les deux fraises extérieures et placer les goupilles en épingle dans les deux trous intérieurs de l'arbre de fraises de façon à bloquer les deux fraises intérieures.



Démarrer et arrêter le moteur

- Placer le moteur dans un endroit bien aéré, à l'extérieur, pour éviter toute intoxication au monoxyde de carbone.
- Se mettre à l'écart des flammes ou étincelles pour éviter d'enflammer les vapeurs éventuellement présentes.
- Éliminer tous les débris des orifices de l'épurateur d'air et du bouchon d'essence pour permettre une bonne circulation d'air.

Démarrage à froid (VOIR FIGURE 4) :

Démarrage du moteur pour la première fois, après que le moteur a refroidi ou après une panne de carburant.

1. Amorcer la machine jusqu'à ce que le tuyau d'amorçage soit rempli d'essence.

REMARQUE : *Lors de l'utilisation de la poire d'amorçage, laisser la poire revenir complètement dans sa position initiale entre deux pressions.*

⚠️ AVERTISSEMENT

S'ASSURER QUE LA MACHINE EST EN POSITION STABLE AVANT DE TIRER SUR LA POIGNÉE DU LANCEUR.

EN CAS D'ALLUMAGE OU DE DÉMARRAGE DU MOTEUR, RAMENER LES DEUX MAINS SUR LE GUIDON POUR MAINTENIR LE CONTRÔLE ET LA STABILITÉ DE LA MACHINE.

LE CORDON DU LANCEUR PEUT PROVOQUER UNE BRUSQUE TRACTION INATTENDUE EN DIRECTION DU MOTEUR. VEILLER À SUIVRE LES INSTRUCTIONS POUR ÉVITER LES BLESSURES.

NE JAMAIS LAISSER LE MOTEUR EN MARCHÉ SANS SURVEILLANCE. L'ARRÊTER APRÈS CHAQUE UTILISATION.

NE JAMAIS PORTER LA MOTOBINEUSE D'UN ENDROIT À UN AUTRE AVEC LE MOTEUR EN MARCHÉ.

TOUJOURS PORTER UNE PROTECTION AUDITIVE.

NE PAS DÉMARRER LE MOTEUR EN CAS DE DÉVERSEMENT ACCIDENTEL DE CARBURANT. ESSUYER LE CARBURANT DÉVERSÉ ET LAISSER SÉCHER.

- Placer le levier du volet de départ en position **CHOKE** (Étranglé).

REMARQUE : La position **CHOKE** correspond l'engagement à fond du levier de départ.

- Placer l'interrupteur MARCHÉ/ARRÊT en position **MARCHÉ**.
- Tenir fermement le guidon. Saisir la poignée du lanceur de l'autre main et tirer lentement jusqu'à sentir une légère résistance. Sans laisser la poignée du lanceur se rétracter, tirer le cordon à fond d'un mouvement rapide. Le laisser revenir très lentement à sa position de repos. Répéter cette étape chaque fois que le cordon du lanceur est tiré jusqu'à ce que le moteur produise un allumage ou démarre.

REMARQUE : Si le moteur ne démarre pas au bout de 5 à 6 tractions, appuyer 1 fois sur la poire d'amorçage et tirer une nouvelle fois sur le cordon.

- Une fois que le moteur est en marche, ramener le levier de départ en position **HALF CHOKE** (Semi-étranglé) jusqu'à ce que le moteur tourne à un régime stable.

REMARQUE : La position **HALF CHOKE** correspond à l'engagement du levier entre **CHOKE** et **RUN** (Marche).

- Placer le levier de départ en position **RUN** et serrer la commande des gaz jusqu'à la position souhaitée.

REMARQUE : Faire fonctionner à pleins gaz autant que possible. Ne pas laisser le moteur tourner au ralenti pendant des durées prolongées.

- Pour arrêter le moteur, enfoncer l'interrupteur MARCHÉ/ARRÊT jusqu'en position **ARRÊT**.

Démarrage du moteur chaud/tiède :

- Commencer à l'étape 3 du démarrage à froid.
- Si le moteur ne démarre pas, se reporter à l'étape 1 du démarrage à froid.

REMARQUE : Si le moteur ne démarre pas après avoir suivi la procédure de démarrage, communiquer avec notre service après-vente au 800-345-6007 ou par courriel à info@getearthquake.com.

⚠️ AVERTISSEMENT

NE PAS TENTER DE DÉMARRER LE MOTEUR DES FAÇONS SUIVANTES :

- NE PAS UTILISER DE LIQUIDE DE DÉMARRAGE.
- NE PAS PULVÉRISER DE LIQUIDES OU VAPEURS INFLAMMABLES DANS L'ÉPURATEUR D'AIR, LE CARBURATEUR OU LE LOGEMENT DE BOUGIE.
- NE PAS ENLEVER LA BOUGIE ET TENTER DE DÉMARRER LE MOTEUR. DU CARBURANT INFLAMMABLE PEUT GICLER ET ÊTRE ENFLAMMÉ PAR UNE ÉTINCELLE DE LA BOUGIE.

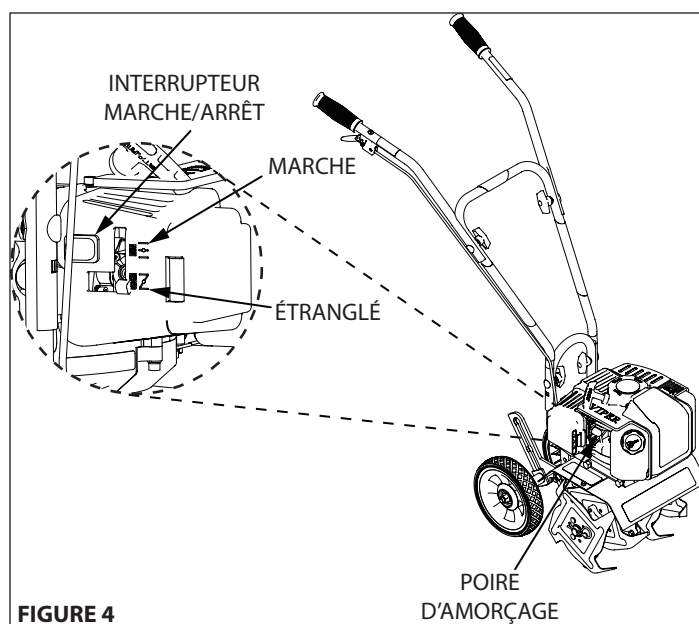


FIGURE 4

Réglage des roues et de la barre de traînée

Les roues de la motobineuse comportent trois positions de réglage. La position **BASSE** des roues s'utilise pour transporter la motobineuse sur une surface lisse et de niveau avec le moteur à l'arrêt. Les positions **HAUTE** et **TRÈS HAUTE** des roues s'utilisent lors du binage pour stabiliser la machine à différentes profondeurs de travail. **VOIR FIGURE 5**

Pour régler les roues vers le haut ou le bas : **VOIR FIGURES 5 ET 6 :**

- Tirer la douille métallique de verrouillage contre le ressort, à l'écart du guide vertical de façon à la dégager de l'une des trois encoches de position dans le guide vertical.
- Faire coulisser les roues vers le haut ou le bas jusqu'à la position souhaitée puis relâcher la douille métallique de verrouillage pour l'engager dans l'encoche correspondante du guide vertical.

Pour régler la barre de trainée : VOIR FIGURE 7

La barre de trainée s'utilise pour contrôler la profondeur de binage et empêcher la motobineuse de faire des bonds en avant durant l'utilisation. La résistance au mouvement avant est plus grande lorsque la barre de trainée est réglée à sa position la plus basse ce qui permet de travailler le sol plus profondément.

1. Retirer la goupille d'arrêt du trou de fixation de la barre de trainée.
2. Orienter la barre de trainée avec le bout pointu dirigé vers le bas.
3. Enfiler la goupille d'arrêt dans le trou qui correspond à la profondeur souhaitée.

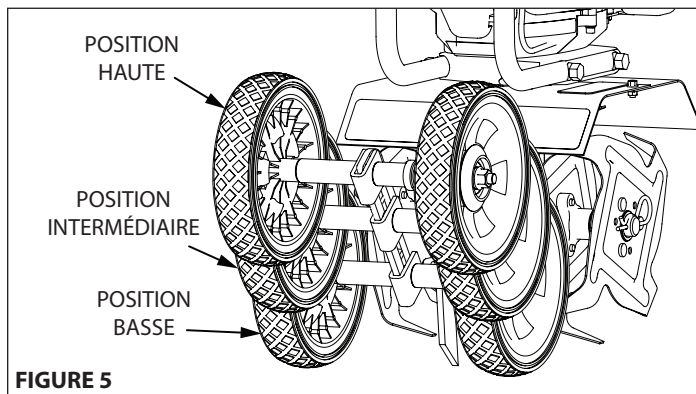


FIGURE 5

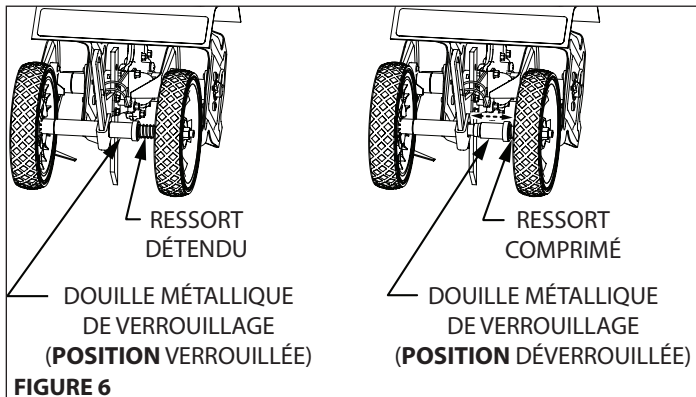


FIGURE 6

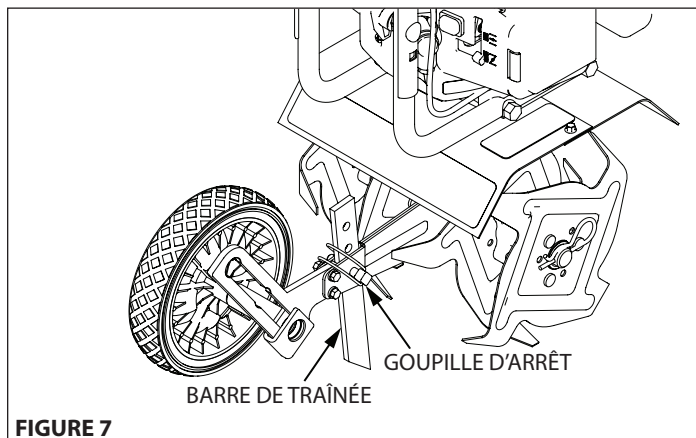


FIGURE 7

⚠ AVERTISSEMENT

FAIRE PREUVE DE PRUDENCE EN PERMANENCE. LE MOTEUR DOIT ÊTRE À L'ARRÊT ET FROID ET LE CÂBLE DE BOUGIE DOIT ÊTRE DÉBRANCHÉ AVANT TOUTE TENTATIVE D'ENTRETIEN ET DE RÉPARATION.

POUR ÉVITER LES DÉMARRAGES ACCIDENTELS :

ARRÊTER LE MOTEUR, LE LAISSER REFROIDIR ET DÉBRANCHER LE CÂBLE DE BOUGIE DE LA BOUGIE AVANT TOUTE VÉRIFICATION OU TOUT RÉGLAGE DU MOTEUR OU DE LA MACHINE.

LA TEMPÉRATURE DU SILENCIEUX ET DES ZONES AVOISINANTES PEUT DÉPASSER 65 °C (150 °F). ÉVITER DE TOUCHER CES SURFACES.

VÉRIFIER LE SERRAGE DES ÉCROUS ET VIS DE LA MOTOBINEUSE. LES GARDER BIEN SERRÉS.

NE JAMAIS ENTREPOSER LE MOTEUR AVEC DU CARBURANT DANS LE RÉSERVOIR À L'INTÉRIEUR D'UN BÂTIMENT. CELA PRÉSENTE UN RISQUE D'INFLAMMATION DU CARBURANT OU DE SES VAPEURS PAR DES ÉTINCELLES POTENTIELLES.

L'ENTRETIEN ET LES RÉPARATIONS DU MOTEUR ET DE LA MOTOBINEUSE DOIVENT TOUJOURS ÊTRE EFFECTUÉS PAR UN ADULTE.

ARRÊTER LE MOTEUR, LE LAISSER REFROIDIR ET DÉBRANCHER LE CÂBLE DE BOUGIE AVANT D'EFFECTUER TOUTE RÉPARATION OU TOUT ENTRETIEN.

ENTRETIEN ET ENTREPOSAGE

Pour travailler sur la machine (VOIR FIGURE 8):

1. Mettre l'interrupteur du moteur en position **ARRÊT**.
2. Débrancher le câble de la bougie.
3. Placer le câble de bougie débranché de façon sûre à l'écart de la bougie et de toute pièce métallique. Cela est indispensable pour écarter tout risque d'arc électrique entre le câble de bougie et des pièces métalliques.
4. Remplacer ou réparer la pièce défectueuse sur la motobineuse.
5. Vérifier que toutes les pièces réparées, ou déposées durant la réparation, sont correctement remontées et bien serrées.

REMARQUE : *Toutes les pièces de rechange doivent provenir de l'usine. Ne jamais utiliser de pièces de rechange qui ne sont pas spécifiquement conçues pour la motobineuse.*

6. Rebrancher le câble de bougie.

Entretien de la motobineuse

1. Maintenir tous les boulons, vis et écrous bien serrés.
2. Pour une utilisation par temps froid, entreposer la machine dans un endroit frais. Le transfert de la machine du chaud au froid peut provoquer l'accumulation d'une condensation nocive.

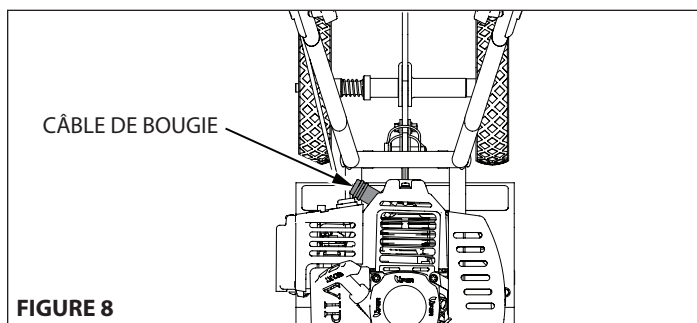


FIGURE 8

Entretien du moteur

Veiller à lire le calendrier d'entretien et à respecter les délais préconisés pour étendre la durée de service du moteur.

Un bon entretien est indispensable à un fonctionnement sûr, économique et sans panne. Cela contribue également à réduire la pollution de l'air. Pour assurer des soins corrects du moteur, les pages suivantes comportent un calendrier d'entretien, des instructions de contrôle courant et des instructions d'entretien élémentaire au moyen d'outils à mains de base. Il est préférable de confier à des professionnels les tâches d'entretien ou de réparation plus difficiles ou nécessitant un outillage spécial et qui sont normalement effectuées par un technicien ou autre mécanicien qualifié.

L'entretien, le remplacement et la réparation des dispositifs et systèmes de contrôle des émissions peuvent être effectués par tout mécanicien ou atelier de réparation de moteurs hors route. Toutefois, ces éléments doivent être confiés à un concessionnaire agréé pour bénéficier d'un service de contrôle des émissions « sans frais ».

Le calendrier d'entretien s'applique à des conditions normales d'utilisation. Si le moteur est utilisé dans des conditions inhabituelles, notamment une exploitation soutenue sous forte charge ou température élevée ou des conditions exceptionnellement humides ou poussiéreuses, obtenir des conseils relatifs à ces besoins et emplois particuliers auprès du concessionnaire.

Calendrier d'entretien

OPÉRATION D'ENTRETIEN		Toutes les 8 heures (quotidien)	Toutes les 20 heures ou saisonnier	Chaque année
Nettoyer moteur et contrôler écrous/boulons		X		
Filtre à air (Voir la section Filtre à air)	Contrôler	X		
	Nettoyer *		X	
	Changer		X	X
Bougie (Écartement 0,69 mm) (Voir la section Bougie)	Contrôler/régler		X	
	Changer			X

* Entretien plus fréquent dans des conditions poussiéreuses

Bougie

La bougie recommandée est une Torch L7RTC qui correspond à une Champion RCJ6Y.

1. Contrôler la bougie au début de chaque saison.
2. Débrancher le capuchon de bougie et nettoyer tous débris autour de la bougie.
3. Retirer la bougie et la changer dans les cas suivants : électrodes piquées, électrodes brûlées, porcelaine fissurée ou dépôts autour des électrodes.
4. Après examen, visser la bougie à fond à la main et serrer avec une clé à bougie. Rebrancher le câble de bougie.
 - Bougie d'origine : serrer de 1/2 tour supplémentaire.
 - Bougie neuve : régler l'écartement des électrodes à 0,69 mm (0,027 po) et serrer de 1/8 à 1/4 tour supplémentaire.

REMARQUE : Une bougie mal serrée peut surchauffer et endommager le moteur. Un serrage excessif de la bougie peut endommager le filetage de la culasse.

Ailettes de refroidissement

Les ailettes de refroidissement, les entrées d'air et les tringles doivent être exemptes de tous débris avant chaque utilisation.

Carburateur

Ne jamais modifier le réglage d'usine du carburateur.

Filtre à air

Ne jamais faire fonctionner le moteur sans filtre à air correctement en place. L'absence d'épurateur d'air sur le moteur peut entraîner une usure supplémentaire et la défaillance du moteur.

Effectuer l'entretien du filtre à air tous les 3 mois ou après 20 heures d'utilisation. Nettoyer le filtre chaque jour en cas de conditions extrêmement poussiéreuses.

Pour changer ou nettoyer le filtre à air :

1. Avant de déposer le couvercle de filtre à air, mettre le levier de départ en position **CHOKE**.
2. Pour déposer le couvercle de filtre à air, appuyer sur les pattes de fermeture de part et d'autre du couvercle. **VOIR FIGURE 9**
3. Une fois que les pattes de fermeture sont dégagées, retirer le couvercle de filtre à air en le basculant à l'écart du moteur.
4. Retirer l'élément filtrant en mousse. Remplacer par un filtre huilé neuf ou laver le filtre existant à l'eau tiède et au savon doux.

***Lire ce code QR code avec un téléphone intelligent pour accéder à des suggestions et conseils utiles sur l'utilisation de la motobineuse. www.getearthquake.com**

Il peut être nécessaire d'installer un lecteur QR Code® sur le téléphone. Des frais de transfert de données peuvent s'appliquer.



AVIS

NE PAS TORDRE LE FILTRE À AIR LORS DE SON NETTOYAGE, TOUJOURS LE PRESSER. LA TORSION OU UNE FORCE EXCESSIVE PEUVENT ENDOMMAGER L'ÉLÉMENT FILTRANT.

- Après le nettoyage, huiler soigneusement le filtre en mousse avec de l'huile moteur d'indice 30 ou 40 et essorer tout excédent d'huile avant de le remettre en place. Veiller à bien appuyer uniformément le filtre en mousse contre la plaque de renfort du filtre pour s'assurer que la mousse est complètement engagée de façon étanche dans son logement.
- Remonter le couvercle de filtre à air en veillant à l'enclencher complètement afin qu'il soit bien tenu en place par les pattes de fermeture. Tirer légèrement sur le couvercle pour vérifier qu'il est solidement fixé. Si le couvercle ne bouge pas lorsqu'on tire dessus, c'est qu'il est bien attaché.

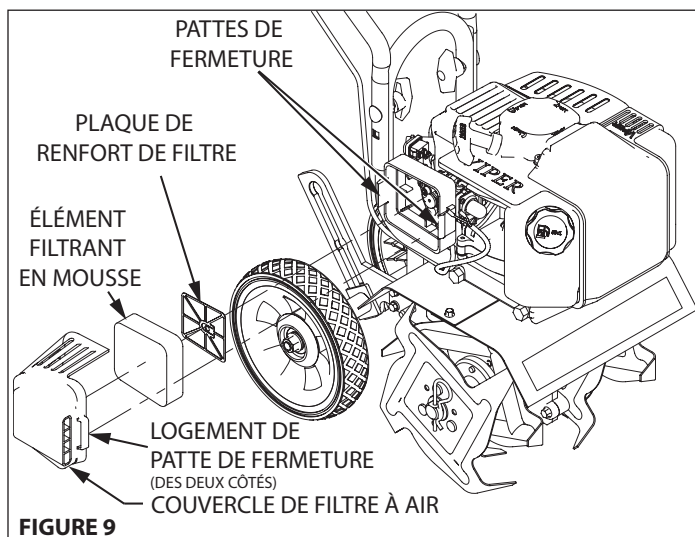


FIGURE 9

⚠ DANGER

NE PAS SIPHONNER LE CARBURANT PAR LA BOUCHE. L'ESSENCE EST TOXIQUE ET PEUT PROVOQUER DES LÉSIONS CORPORELLES GRAVES.

NE JAMAIS ENTREPOSER LA MOTOBINEUSE AVEC DU CARBURANT DANS LE RÉSERVOIR À L'INTÉRIEUR D'UN BÂTIMENT OU D'UN LOCAL FERMÉ. LES VAPEURS DE CARBURANT PEUVENT S'ACCUMULER ET PROVOQUER UN INCENDIE.

Transport de la motobineuse

- Après avoir utilisé la motobineuse et avant de la transporter, visser fermement le bouchon d'essence (sens des aiguilles d'une montre). Le bouchon d'essence ne fuit pas durant le transport s'il est bien serré. Ne jamais transporter le moteur dans un espace fermé à l'intérieur d'un véhicule. Le carburant ou ses vapeurs peuvent s'enflammer et provoquer des blessures graves ou la mort.
- S'il y a du carburant dans le réservoir, transporter la machine dans un véhicule ouvert en position verticale.

- Si un véhicule fermé doit être utilisé, transférer le carburant dans un bidon d'essence rouge homologué. NE PAS siphonner par la bouche.
- Faire tourner le moteur pour consommer le reste de carburant présent dans le carburateur et le réservoir. Toujours faire fonctionner le moteur dans un endroit bien aéré.
- Essuyer tout déversement de carburant sur le moteur et la motobineuse. Laisser sécher.
- S'assurer que le bouchon d'essence est bien fermé avant de transporter la motobineuse dans un véhicule.

Entreposage à long terme

Si la motobineuse ne doit pas être utilisée pendant plus d'un mois, la préparer pour l'entreposage de longue durée.

Instructions d'entreposage de longue durée

- Mélanger une quantité appropriée de stabilisateur de carburant dans les proportions recommandées sur l'emballage du stabilisateur. Faire tourner le moteur pendant cinq minutes pour répartir le mélange stabilisateur dans le circuit d'alimentation. Cela empêchera la formation de gomme, vernis et corrosion dans le circuit de carburant pendant l'entreposage de longue durée jusqu'à 12 mois.
- Entreposer la motobineuse en position verticale.
- Éliminer tous les débris des fraises et du moteur de la motobineuse.

DÉPANNAGE ET RÉPARATION

Chez *Earthquake*, nous intégrons la qualité et la durabilité dans la conception de nos produits; mais toute la conception soignée et tout l'entretien attentionné ne sauraient garantir une existence totalement exempte de réparation de cette motobineuse *Earthquake*. La majorité des problèmes sont mineurs et aisément résolus en suivant les indications du guide de dépannage de cette section.

Ce guide aide à diagnostiquer les causes des problèmes les plus courants et à identifier leurs solutions.

Pour les réparations plus compliquées, il est préférable de s'adresser à un centre de réparation agréé ou directement à *Earthquake*. *Earthquake* effectuera les réparations nécessaires si aucun centre de réparation n'est disponible. Une liste des pièces détachées est fournie vers la fin de ce manuel.

Nous sommes toujours heureux de répondre à toute question ou d'aider à trouver l'assistance nécessaire.

Commande de pièces de rechange

Les pièces peuvent s'obtenir chez un concessionnaire-réparateur agréé ou directement auprès de l'usine. Pour commander des pièces, visiter www.getearthquake.com ou appeler le 1-800-345-6007.

Pour les questions plus générales, envoyer un courriel à info@getearthquake.com.

Veiller à inclure les informations suivantes avec la commande :

- 1) Numéro de référence des pièces
- 2) Description des pièces
- 3) Quantité
- 4) Numéro de modèle et numéro de série

Pièces de rechange

Utiliser exclusivement des pièces de rechange *Earthquake* homologuées.

GUIDE DE DÉPANNAGE

PROBLÈME	CAUSE POSSIBLE	SOLUTION / MESURE CORRECTIVE
Le moteur ne démarre pas	1. Interrupteur d'allumage en position d'arrêt	1. Mettre l'interrupteur en position de MARCHE
	2. Câble de bougie débranché	2. Brancher le câble sur la bougie
	3. Panne de carburant	3. Refaire le plein
	4. Bougie humide, défectueuse ou d'écartement incorrect	4. Nettoyer, changer ou régler la bougie
	5. Tuyau du conduit de carburant pas placé au fond du réservoir	5. Pousser le tuyau de carburant vers le bas dans le réservoir
Le moteur a des ratés, se noie durant la marche	1. Filtre à air sale	1. Nettoyer ou changer le filtre à air
	2. Volet de départ partiellement engagé	2. Placer le levier du volet de départ en position RUN (MARCHE)
	3. Carburateur déréglé	3. Appeler le service après-vente
Le moteur est difficile à démarrer	1. Carburant vicié	1. Vidanger le carburant usagé et le remplacer par du frais. Utiliser du stabilisateur de carburant en fin de saison ou pour l'entreposage de longue durée
	2. Câble de bougie lâche	2. S'assurer que le câble de bougie est solidement attaché à la bougie
	3. Carburateur sale	3. Nettoyer le carburateur, utiliser du stabilisateur de carburant, un bidon neuf
	4. Amorçage insuffisant du carburant	4. Amorcer le moteur 3 fois supplémentaires puis tirer sur le cordon du lanceur
Le moteur a des ratés ou manque de puissance	1. Filtre à carburant encrassé	1. Nettoyer le réservoir de carburant, changer le filtre à carburant
	2. Filtre à air encrassé	2. Nettoyer ou changer le filtre à air
	3. Carburateur déréglé ou défectueux	3. Appeler le service après-vente
	4. Bougie humide, défectueuse ou d'écartement incorrect	4. Nettoyer, changer ou régler la bougie
Le moteur tourne, puis cale	1. Bouchon de réservoir hermétique à l'air	1. Nettoyer ou changer le bouchon du réservoir, vérifier l'évent
	2. Filtre à carburant obstrué	2. Nettoyer ou changer le filtre à carburant
	3. Carburateur déréglé ou défectueux	3. Appeler le service après-vente
Régime moteur trop élevé	1. Carburateur déréglé	1. Appeler le service après-vente
Les fraises tournent avec le moteur au ralenti	1. Régime de ralenti trop élevé	1. Baisser le régime de ralenti
	2. Ressort d'embrayage cassé	2. Changer l'embrayage

ILLUSTRATION DES PIÈCES DÉTACHÉES - Moteur

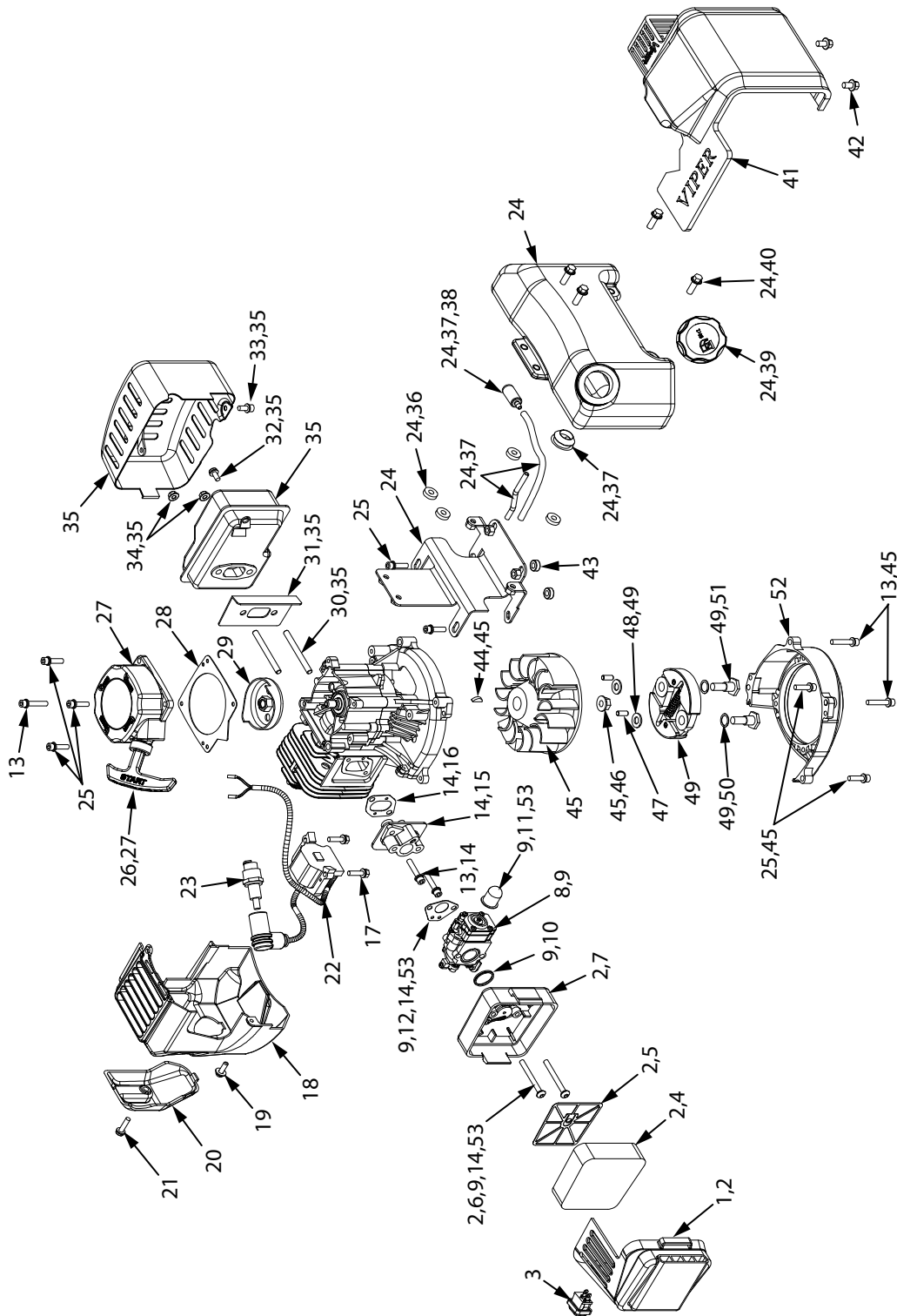
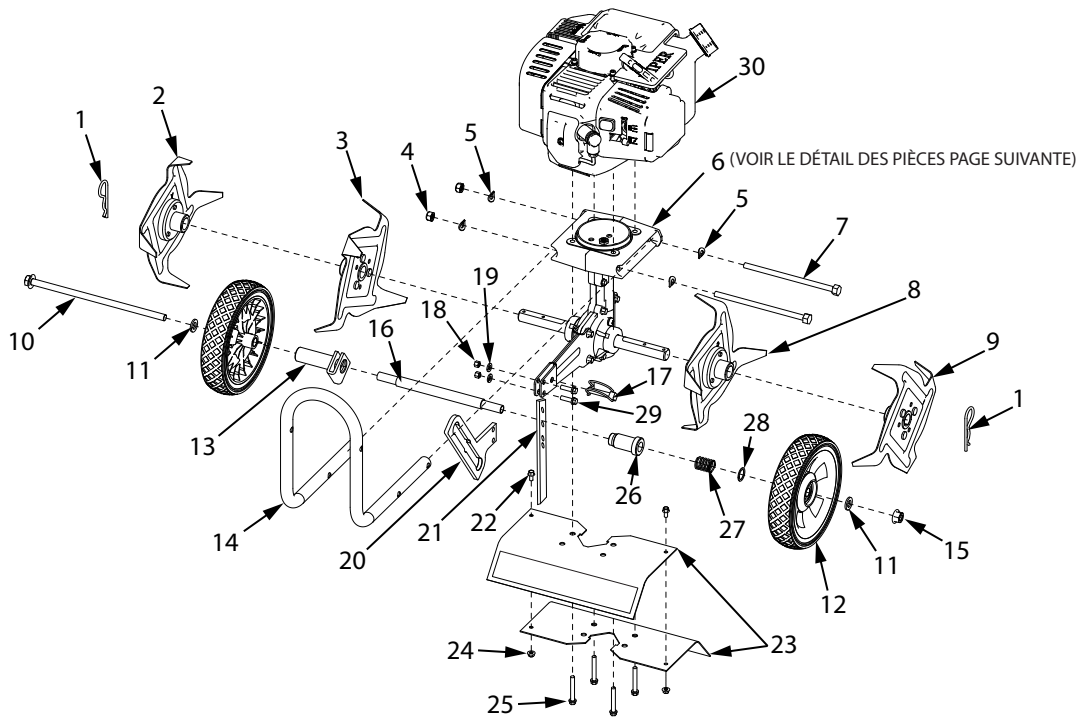


ILLUSTRATION DES PIÈCES DÉTACHÉES - Moteur

REPÈRE	N° RÉF.	DESCRIPTION	QTÉ
1	3004158	COUVERCLE DE FILTRE À AIR	1
2	15230	NÉCESSAIRE FILTRE À AIR	1
3	1021	INTERRUPTEUR À BASCULE	1
4	3004156	ÉLÉMENT DE FILTRE À AIR EN MOUSSE	1
5	3004157	CADRE DE RENFORT DU FILTRE À AIR	1
6	15209	VIS M5 X 52 AVEC RONDELLE	2
7	3004150	BASE D'ÉPURATEUR D'AIR	1
8	15261	CARBURATEUR 43 CC INVOLABLE	1
9	11334	NÉCESSAIRE CARBURATEUR DE RECHANGE	1
10	300481	JOINT TORIQUE DE CARBURATEUR	1
11	3004109	POIRE D'AMORÇAGE DE CARBURATEUR	1
12	300479	JOINT DE CARBURATEUR	1
13	17952	VIS M5 X 28 AVEC RONDELLE	5
14	11205	NÉCESSAIRE COLLECTEUR D'ADMISSION	1
15	300478	CONDUIT D'ADMISSION D'AIR	1
16	300476	JOINT D'ÉTANCHÉITÉ D'ADMISSION	1
17	300335	VIS M5 X 20 TÊTE HEX AVEC RONDELLE	2
18	300482	COIFFE DE MOTEUR, ROUGE	1
19	10887	VIS M5 X 16 TÊTE RONDE AVEC RONDELLE	1
20	300483	COUVERCLE DE COIFFE DE MOTEUR NOIR	1
21	300439	VIS M5 X 20 TÊTE RONDE AVEC RONDELLE	1
22	26579	BOBINE D'ALLUMAGE	1
23	35906	BOUGIE TORCH L7RTC	1
24	10683	NÉCESSAIRE RÉSERVOIR DE CARBURANT	1
25	17946	VIS M5 X 20 AVEC RONDELLE	7
26	3004121	POIGNÉE DE LANCEUR	1

REPÈRE	N° RÉF.	DESCRIPTION	QTÉ
27	300430	LANCEUR À CORDON	1
28	300429	PLAQUE D'ESPACEMENT DE LANCEUR	1
29	300491	COUPELLE D'EMBRAYAGE DE LANCEUR	1
30	300493	GOUJON M6 X 62	2
31	300475	BOUCLIER THERMIQUE DE SILENCIEUX	1
32	300471	VIS M5 X 12 AVEC RONDELLE	1
33	17888	VIS M5 X 12 TÊTE SIX PANS CREUX AVEC RONDELLE	1
34	300492	ÉCROU M6 X 1 HEX À EMBASE	2
35	25977	NÉCESSAIRE SILENCIEUX ÉJECTION DROITE DPS30	1
36	11190	RONDELLE D'ESPACEMENT M5 X 4 NYLON	4
37	3004105	NÉCESSAIRE CÉILLET DEUX TROUS CONDUITE DE CARBURANT	1
38	3004103	FILTRE À CARBURANT	1
39	11936	BOUCHON D'ESSENCE À RENIFLARD BIDIRECTIONNEL	1
40	4647	VIS M6 X 18 TÊTE HEX À EMBASE	4
41	300332	COIFFE DE RÉSERVOIR NOIRE	1
42	300336	VIS M6 X 10 TÊTE HEX À EMBASE	2
43	11189	RONDELLE D'ESPACEMENT M5 X 5	2
44	300338	CLAVETTE DEMI-LUNE 3 X 5 X 12	1
45	11209	NÉCESSAIRE VOLANT D'INERTIE	1
46	300337	ÉCROU M8 X 1,25 HEX À EMBASE	1
47	300467	GOUPILLE CYLINDRIQUE 5 X 12	2
48	300462	RONDELLE 15,8 X 8,4 X 1,6	2
49	11235	NÉCESSAIRE EMBRAYAGE	1
50	300449	RONDELLE ONDULÉE 10 X 15 X 0,25	2
51	300450	VIS M8 X 25 ÉPAULEMENT 10	2
52	300487	COIFFE DE VOLANT D'INERTIE	1
53	3004114	NÉCESSAIRE DE RÉPARATION DU CARBURATEUR	1

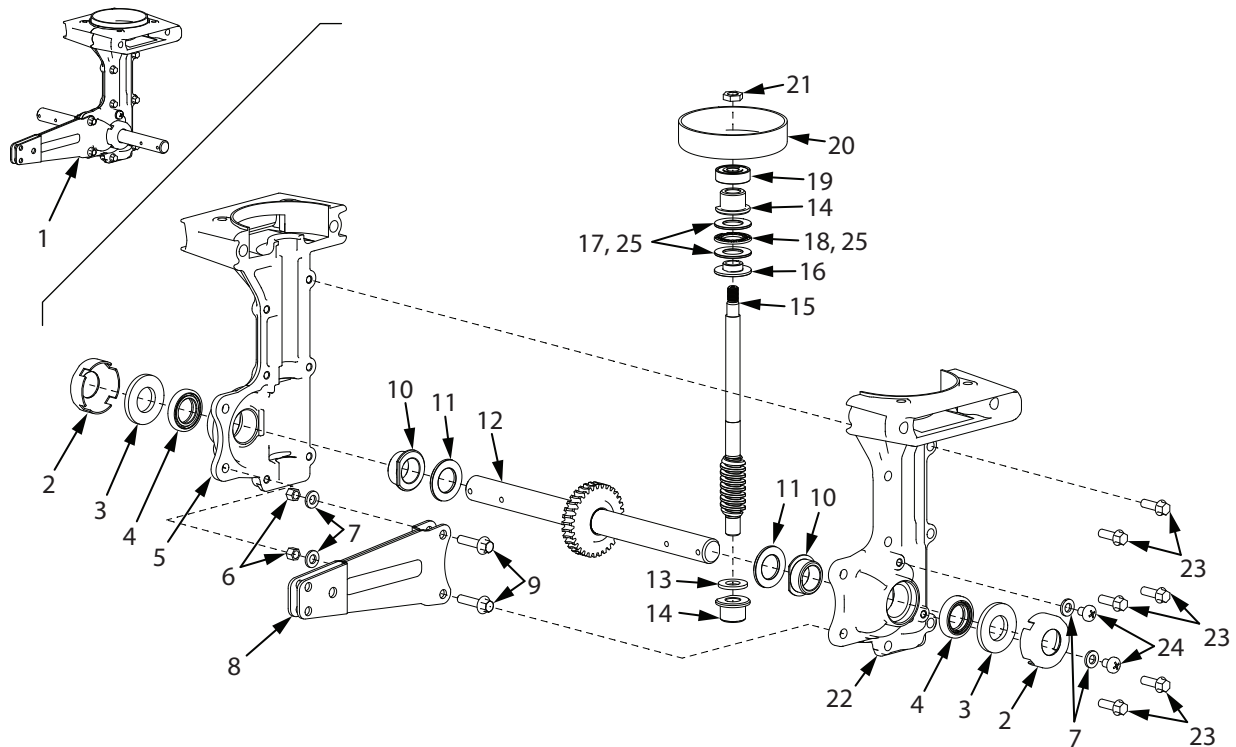
ILLUSTRATION DES PIÈCES DÉTACHÉES - Vue éclatée du capot et des fraise



REPÈRE	N° RÉF.	DESCRIPTION	QTÉ
1	4652	GOUPILLE EN ÉPINGLE, 5/8-3/4 PO	2
2	4601	FRAISE « A » EXTÉRIEURE DROITE	1
3	4603	FRAISE « B » INTÉRIEURE DROITE	1
4	400023	ÉCROU-FREIN BAGUE NYLON M8	2
5	4641	RONDELLE COURBÉE M8	4
6	26013	RÉDUCTEUR COMPLET	1
7	46141	VIS M8 X 1,25 X 155 HEX À EMBASE	2
8	4602	FRAISE « C » INTÉRIEURE GAUCHE	1
9	4604	FRAISE « D » EXTÉRIEURE GAUCHE	1
10	4687	VIS M10 X 1,5 X 231 HEX À EMBASE	1
11	2431	RONDELLE M10 ÉTROITE PLATE	2
12	13189	ROUE 180 X 38 MM SCULPTURE LOSANGES MOYEU GRIS	2
13	4678	GUIDE DE TUBE DE ROUE	1
14	15104	ARCEAU DE GUIDON INFÉRIEUR	1
15	4629	ÉCROU M10 X 1,5 CENTER LOCK HEX	1
16	4674	TUBE DE ROUE	1

REPÈRE	N° RÉF.	DESCRIPTION	QTÉ
17	18039	GOUPILLE D'ARRÊT 8 MM X 40 MM	1
18	4650	ÉCROU-FREIN À BAGUE NYLON M6	2
19	W1200117	RONDELLE M6 X 13 X 1,75 PLATE	2
20	4673	SUPPORT DE ROUES	1
21	4600	BARRE DE TRAINÉE	1
22	176	VIS M5 X 0,8 X 10 HEX À EMBASE	2
23	23441	GARDE-BOUE	2
24	400020	ÉCROU-FREIN M5 X 0,8 À EMBASE	2
25	4625	VIS M6 X 1,0 X 42 HEX À EMBASE	4
26	4684	DOUILLE DE VERROUILLAGE DE ROUES	1
27	4685	RESSORT DE VERROUILLAGE DE ROUES	1
28	13230	RONDELLE 21 X 16 X 1 MM	1
29	46142	VIS M6 X 1,0 X 15 HEX À EMBASE	2
30	23433	MOTEUR VIPER MC43	1

ILLUSTRATION DES PIÈCES DÉTACHÉES - Vue éclatée du réducteur

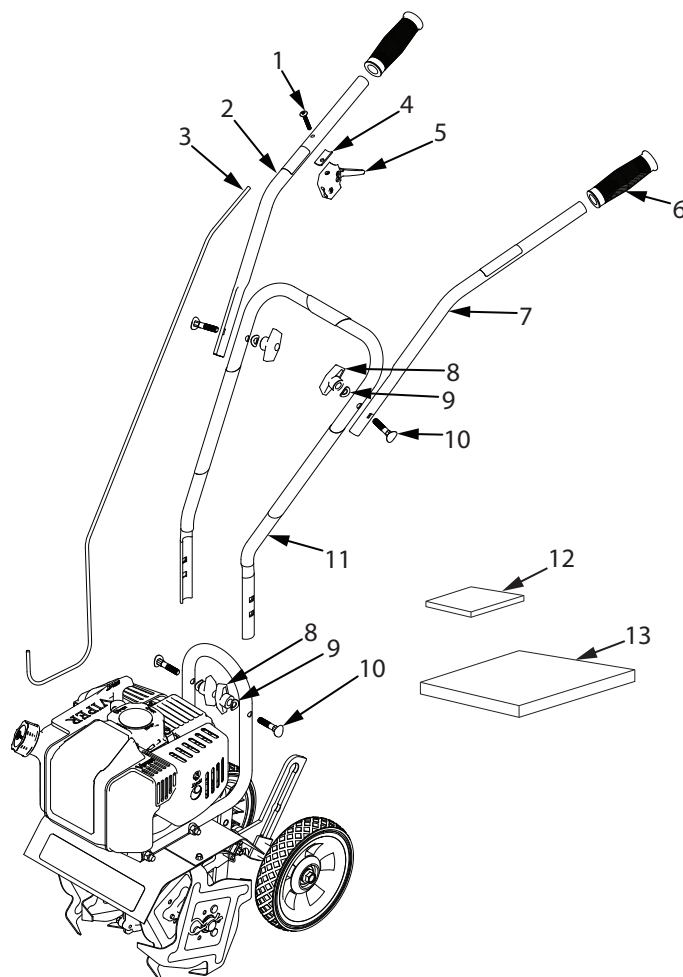


REPÈRE	N° RÉF.	DESCRIPTION	QTÉ
1	26013	RÉDUCTEUR COMPLET	1
2	46144	CAPUCHON ANTIPOUSSIÈRE	2
3	4606	RONDELLE EN FIBRE	2
4	4646	JOINT D'ARBRE DE FRAISES	2
5*	---	DEMI-CARTER DE RÉDUCTEUR GAUCHE	1
6	4650	ÉCROU-FREIN À BAGUE NYLON M6	2
7	W1200117	RONDELLE M6 X 12 X 1 MM	4
8	4633	SUPPORT DE ROUES ET BARRE DE TRAINÉE	1
9	13600	VIS M6 X 1,0 X 25 HEX À EMBASE	2
10	25159	BAGUE D'ARBRE DE FRAISES, ACIER	2
11	4610	RONDELLE D'ÉPAISSEUR D'ARBRE DE FRAISES	2
12	4651	ARBRE DE FRAISES AVEC PIGNON	1
13	4616	BAGUE D'ESPACEMENT	1

REPÈRE	N° RÉF.	DESCRIPTION	QTÉ
14	4614	BAGUE D'ARBRE D'ENTRAÎNEMENT, BRONZE	2
15	21953	ARBRE D'ENTRAÎNEMENT	1
16	4617	PALIER DE BUTÉE DE RÉDUCTEUR	1
17	4618	RONDELLE DE BUTÉE	2
18	4619	CAGE DE PALIER DE BUTÉE	1
19	4623	ROULEMENT À BILLES 9 X 26 X 8 MM	1
20	300414	TAMBOUR D'EMBRAYAGE	1
21	4620	CONTRE-ÉCROU M8	1
22*	---	DEMI-CARTER DE RÉDUCTEUR DROIT	1
23	4647	VIS M6 X 1,0 X 18 HEX À EMBASE	6
24	13447	VIS M6 X 1.0 X 8 PHILLIPS	2
25	4615	NÉCESSAIRE PALIERS DE BUTÉE	1

* ACHETER LE RÉDUCTEUR COMPLET 26013

ILLUSTRATION DES PIÈCES DÉTACHÉES - Vue éclatée du guidon



REPÈRE	N° RÉF.	DESCRIPTION	QTÉ
1	4814	VIS 10-24 X 1-1/4 PHILLIPS	1
2	23442	GUIDON SUPÉRIEUR DROIT	1
3	14645	CÂBLE DE COMMANDE DES GAZ	1
4	12633	TAMPON CAOUTCHOUC	1
5	4809	GÂCHETTE COURTE	1
6	4639	POIGNÉE DE GUIDON	2
7	23443	GUIDON SUPÉRIEUR GAUCHE	1
8	4640	ÉCROU À BOUTON EN TÉ	4
9	4641	RONDELLE INCURVÉE	4
10	4642	VIS À TÊTE INCURVÉE	4
11	4693	ARCEAU DE GUIDON INTERMÉDIAIRE	1
12	12621	SACHET DE PIÈCES DU GUIDON	1
13	23434	SACHET DU MANUEL DE PIÈCES	1

INSTALLATION DU NÉCESSAIRE COUPE-BORDURE 15073 (ACCESSOIRE EN OPTION)

Le coupe-bordure est un outil utile pour réaliser des coupes nettes de la pelouse le long des bordures de jardins, des plate-bandes, des allées et des voies de garage afin de produire une apparence impeccable. Le nécessaire coupe-bordure s'installe de la façon suivante :

INSTALLATION

1. Pour s'assurer que la motobineuse n'est pas en marche, placer l'interrupteur MARCHE/ARRÊT en position **ARRÊT**.
2. Retirer les goupilles en épingle des deux côtés de l'arbre de fraises.
3. Retirer les fraises de l'arbre.
4. Retirer la barre de trainée et la goupille d'arrêt de la machine.
5. Ranger les fraises et conserver les deux (2) goupilles en épingle, elle sont utilisées avec le coupe-bordure.
6. Enfiler la fraise coupe-bordure sur un côté ou sur l'autre de l'arbre de fraises. S'assurer que le collier de moyeu de la fraise coupe-bordure soit vers l'extérieur, du côté opposé au réducteur. **VOIR FIGURE 10**
7. Enfiler les deux (2) goupilles en épingle conservées à l'étape 4 dans les trous intérieur et extérieur de l'arbre de fraises de part et d'autre de la fraise coupe-bordure pour la tenir en place sur l'arbre. **VOIR FIGURE 10**
8. Enfiler la roue de coupe-bordure à fond sur le côté opposé de l'arbre de fraises.
9. Enfiler la goupille en épingle restante, celle fournie avec le nécessaire, dans le trou intérieur pour attacher la roue. **VOIR FIGURE 10**
10. Régler les roues de la motobineuse dans la position **LA PLUS HAUTE**. **VOIR FIGURE 5 (PAGE 34)**.

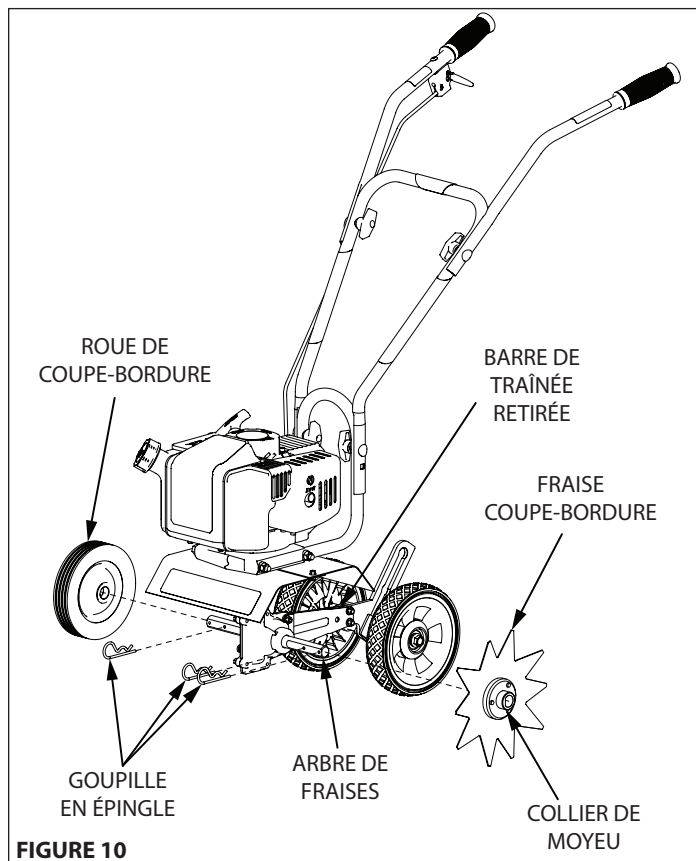


FIGURE 10

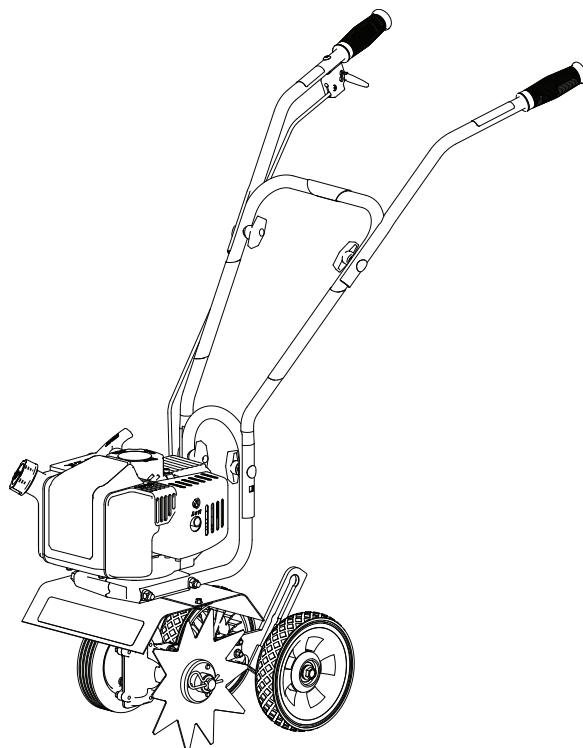
LISTE DES PIÈCES

REPÈRE	N° RÉF.	DESCRIPTION	QTÉ
1	15009	FRAISE COUPE-BORDURE	1
2	46131	ROUE DE COUPE-BORDURE	1
3	46134	GOUPILLE EN ÉPINGLE	1



ATTENTION

LA MOTOBINEUSE PEUT ÊTRE PROJETÉE VERS LE HAUT OU FAIRE UN BOND EN AVANT DE FAÇON INATTENDUE SI LES FRAISES HEURTENT DU BÉTON, DE LA CHAUSSÉE OU D'AUTRES SURFACES DURES OU OBSTACLES DURS ENTERRÉS.



INSTALLATION DU NÉCESSAIRE SCARIFICATEUR DK43 (ACCESSOIRE EN OPTION)

Le scarificateur est un outil très efficace pour arracher les couches excessives de chaume qui peuvent empêcher l'humidité, l'oxygène et les substances nutritives de pénétrer la terre et peuvent abriter des maladies et des insectes. Utiliser au printemps, en été et à l'automne pour redonner vie et couleurs à la pelouse.

1. Mettre l'interrupteur MARCHE/ARRÊT en position **ARRÊT**. Retirer les fraises de binage ou autre outil éventuel et la barre de trainée.
2. Dévisser les vis et écrous de fixation du support de roues sur la monture de barre de trainée et mettre le support de roue de côté. **VOIR FIGURE 11**
3. Enfiler le capot de scarificateur sur le garde-boue de la machine par l'arrière et l'attacher avec des vis et des écrous. **VOIR FIGURES 11 ET 12**
4. Fixer la partie inférieure du capot de scarificateur au support de barre de trainée à l'aide de la goupille d'arrêt. **VOIR FIGURES 11 ET 12**
5. Poser la plaque de rallonge de roue (4676) à l'aide des vis (46142) et écrous (4650) supplémentaires. S'assurer que la rallonge de roue est dans le bon sens (le côté avec les deux trous le long du bord se raccorde à la monture de barre de trainée). **VOIR FIGURE 11**
 - a. Attacher la rallonge de roue à la monture de barre de trainée avec les vis et écrous de la machine.
 - b. Attacher le support de roue à la rallonge de roue avec les vis et écrous fournis avec le nécessaire scarificateur.
6. Enfiler les éléments de scarificateur droit et gauche sur l'arbre de fraises en veillant à placer l'élément droit du côté droit et l'élément gauche du côté gauche, vu depuis la position de conduite. **VOIR FIGURE 13**
7. Attacher les éléments de scarificateur en plaçant les deux goupilles en épingle (46134) fournies avec le nécessaire dans les trous intérieurs de l'arbre de fraises. **VOIR FIGURE 13**

REMARQUE : La barre de trainée ne doit **PAS** être utilisée avec le scarificateur.

REPÈRE	N° RÉF.	DESCRIPTION	QTÉ
1	46134	GOUPILLE EN ÉPINGLE	2
2	4647	VIS M6 X 1,0 X 18 TÊTE HEX À EMBASE	2
3	4650	ÉCROU-FREIN À BAGUE NYLON M6	2
4	4676	PLAQUE DE RALLONGE SCARIFICATEUR	1
5	4707	SCARIFICATEUR GAUCHE	1
6	4708	SCARIFICATEUR DROIT	1
7	4710	CAPOT DE SCARIFICATEUR	1

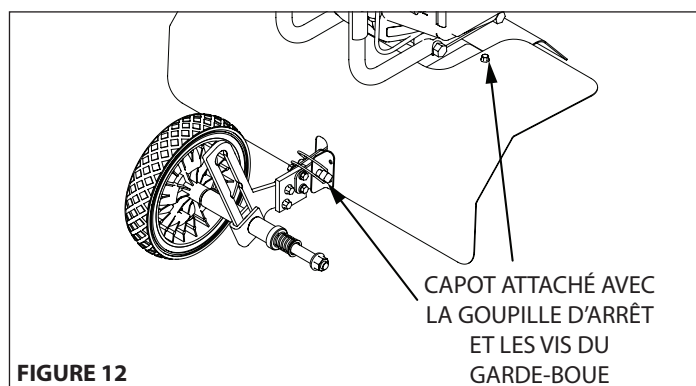


FIGURE 12

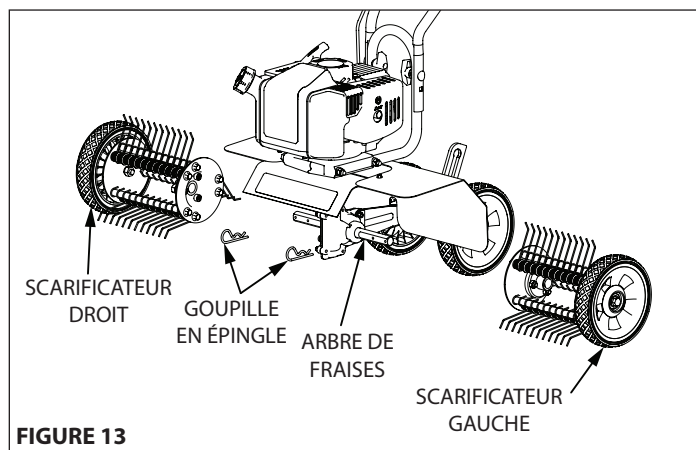


FIGURE 13

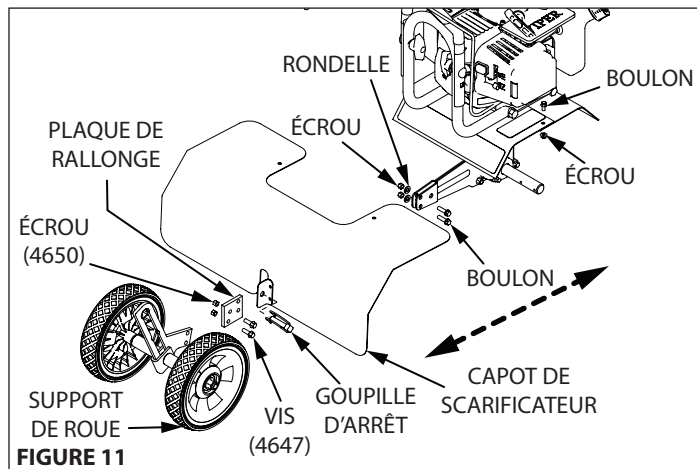
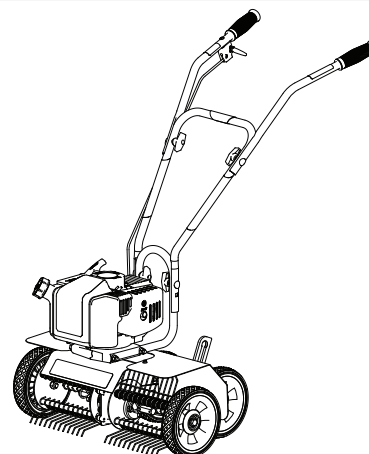


FIGURE 11





MODALITÉS ET CONDITIONS DE LA GARANTIE

Ardisam, Inc. (Ardisam) couvre cette motobineuse par une garantie limitée de cinq ans pièces et main-d'œuvre pendant une durée maximale de soixante mois consécutifs à compter de la date de l'achat initial par le premier acheteur au détail ou utilisateur commercial. La présente garantie ne s'applique pas au moteur monté sur le produit. L'« usage grand public » fait référence à une utilisation personnelle à des fins récréatives par un acheteur au détail. L'« usage commercial », ou « application commerciale », correspond à toutes les autres utilisations, notamment à des fins commerciales, lucratives ou de location. Une fois que le produit a fait l'objet d'un usage commercial, il sera toujours considéré par la suite comme étant un produit à usage commercial pour les besoins de la garantie. Cette garantie s'applique au propriétaire original qui fournit une preuve d'achat. La présente garantie n'est pas transférable. La période de garantie débute à la date d'achat par le premier acheteur au détail ou utilisateur commercial et s'étend ensuite sur une durée de soixante mois consécutifs. Tout article utilisé dans le cadre d'une activité commerciale est couvert pendant une durée de 90 jours après l'achat par le premier utilisateur commercial. Pour que la garantie soit valable, le produit doit être enregistré en ligne dans les 30 jours après l'achat ou la carte de garantie doit être remplie et reçue par Ardisam dans les 30 jours après l'achat. Ardisam n'est sous aucune obligation d'assumer des frais de transport liés à une réparation ou un échange en vertu de la présente garantie. L'acheteur assume l'entière responsabilité des frais de transport.

La présente garantie exclut les frais pour des raisons d'usure normale, les pièces d'usure telles que les roues, poignées et câbles, les articles d'entretien courant tels que les éléments filtrants, joints toriques, joints d'étanchéité, lubrifiants et mises au point, les pièces tournantes, les pièces accessoires telles que charrues-buttes, nécessaires coupe-bordure et nécessaires scarificateurs, et l'utilisation de la motobineuse avec de l'essence pure ou un mélange essence-huile dans une proportion autre que 50:1. L'emploi abusif, notamment l'utilisation de la motobineuse à des fins autres que celles pour lesquelles elle a été conçue et fabriquée, la poursuite de l'utilisation de la motobineuse après un changement soudain dans les vibrations, l'utilisation de la motobineuse en infraction avec les codes et réglementations en vigueur et les bonnes pratiques commerciales invalident la présente garantie. *Ces garanties s'appliquent uniquement à des produits qui n'ont pas subi une utilisation négligente, abusive ou détournée, une surcharge, une installation incorrecte, une altération, un accident, la foudre, une catastrophe naturelle (ou autres événements échappant au contrôle d'Ardisam), du vandalisme, des pièces non homologuées, l'utilisation d'une source d'alimentation incorrecte ou des réparations effectuées par un service de réparation non agréé. Ces garanties ne couvrent pas les dommages liés à l'usure normale, aux pièces et services d'entretien normaux, à la foudre; ni une installation, une exploitation, un entreposage ou un entretien incorrects; ni une exploitation du matériel au-delà des maxima recommandés tels qu'ils figurent dans le présent manuel et dans le manuel du moteur joint.

La présente garantie limitée s'applique aux défauts de pièces et main-d'œuvre du produit seulement. Il n'existe aucune autre garantie expresse. Les garanties implicites, y compris celles de qualité marchande et d'adaptation à un emploi particulier, sont limitées à un an à compter de la date d'achat ou dans la mesure prévue par la loi. Toutes les autres garanties implicites sont exclues. La responsabilité de dommages indirects ou accessoires est exclue dans la mesure où l'exclusion est autorisée par la loi. Ardisam n'assume aucune responsabilité, et n'autorise personne à assumer au nom d'Ardisam une quelconque responsabilité, en rapport avec la vente des produits Ardisam. **Pour être effectués « sans frais », les travaux sous garantie doivent être confiés directement à Ardisam ou à un centre de service de garantie Ardisam.** Pour recourir aux services de réparation ou de remplacement sous garantie, s'adresser au service après-vente d'Ardisam au 800-345-6007. Avant d'envoyer le produit à Ardisam pour une réparation sous garantie, l'accord préalable d'Ardisam doit être obtenu en appelant notre service après-vente pour recevoir un numéro d'autorisation de renvoi de matériel (RMA#). Sous ces circonstances, tous les articles doivent être envoyés en port payé. Ardisam, à son entière discrétion, réparera ou remplacera sans frais toute pièce défectueuse à laquelle s'applique la présente garantie. Ardisam se réserve le droit de modifier les modèles, les caractéristiques et les prix sans préavis. Ardisam n'est sous aucune obligation d'expédier un produit réparé ou échangé à une quelconque adresse en dehors des États-Unis d'Amérique et du Canada. Certains pays et provinces n'autorisent pas la limitation de la durée d'une garantie implicite, ni l'exclusion ou la limitation des dommages indirects ou accessoires, par conséquent les limites ci-dessus peuvent ne pas s'appliquer à vous. La présente garantie vous accorde des droits juridiques particuliers et vous pouvez jouir d'autres droits susceptibles de varier d'une province ou d'un pays à l'autre.

INTRODUCCIÓN

Gracias por comprar un cultivador Earthquake®. Hemos trabajado para garantizar que este cultivador cumpla con las normas más exigentes de uso y durabilidad. Con el cuidado adecuado, su cultivador le proporcionará muchos años de servicio.

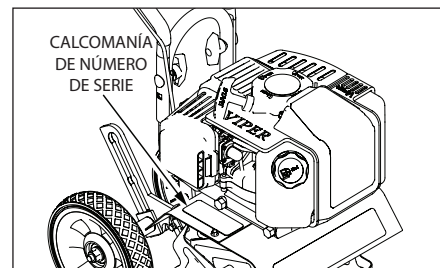
Lea el manual completo antes de la instalación y uso. Earthquake® se reserva el derecho de cambiar, alterar o mejorar el producto y este documento en cualquier momento y sin previo aviso.

CONTENIDO

Introducción/Contenido/Inscripción y servicio	46
Advertencias y precauciones de seguridad	47-50
Precauciones de operación/Precauciones de mantenimiento y almacenamiento.....	50
Quemaduras e incendios/Calcomanías de seguridad	50-51
Características.....	52
Desempaque y montaje	53
Operación.....	53-56
Mantenimiento y almacenamiento	56-58
Solución de problemas y reparación	58-59
Lista detallada ilustrada de piezas	60-64
Instalación del kit de bordeadora 15073 (Accesorio opcional)	65
Instalación del kit de escarificador DK43 (Accesorio opcional)	66
Garantía	67

INSCRIPCIÓN Y SERVICIO

Registre el número de modelo y número de serie del producto en el espacio que se proporciona para facilitar su consulta cuando solicite piezas o asistencia técnica. Con excepción de los elementos de la garantía relacionados con las emisiones, la garantía es válida solo si Ardisam recibe la inscripción llena dentro de 30 días a partir de la compra. (CONSULTE LA SECCIÓN DE GARANTÍA PARA OBTENER MÁS INFORMACIÓN) Puede inscribir su garantía en línea en www.earthquake.com, o enviarla por correo a: Ardisam Inc, 1160 8th Avenue, Cumberland, WI 54829. También puede comunicarse con el Departamento de Servicio al Cliente al (800) 345-6007 de lunes a viernes, desde las 8:00 a. m. hasta las 5:00 p. m. CST.



REGISTROS DE PROPIEDAD		
Nombre del propietario:		
Dirección del propietario:		
Ciudad:	Estado o provincia:	Código postal:
Número de modelo:	Número de serie:	
Fecha de la adquisición:		
Notas:		

Lea y conserve este manual para futuras consultas. Este manual contiene información importante sobre SEGURIDAD, MONTAJE, OPERACIÓN Y MANTENIMIENTO. El propietario debe asegurarse de que toda la información del producto venga incluida con la unidad. Esta información incluye el MANUAL, las PIEZAS DE REPUESTO y las GARANTÍAS. Esta información debe estar incluida para asegurarse de que se cumplan las leyes estatales y otras leyes. Todas las personas que arrienden o pidan la unidad en préstamo deben tener acceso a esta información y comprenderla. Este manual debe permanecer con el producto, incluso si se revende.

ADVERTENCIAS Y PRECAUCIONES DE SEGURIDAD

Responsabilidad del propietario

Es de responsabilidad del propietario realizar un ensamble preciso y seguro, y darle un uso eficaz a la máquina.

- Lea y siga todas las instrucciones de seguridad.
- Siga cuidadosamente todas las instrucciones de ensamble.
- Mantenga la máquina de acuerdo con las indicaciones y el programa que se incluye en este manual del operador de Earthquake.
- Asegúrese de que las personas que usen la máquina conozcan todos los controles y las precauciones de seguridad.

Mensajes especiales

Su manual contiene mensajes especiales para llamar la atención respecto de posibles problemas de seguridad o daños a la máquina, al igual que información útil de operación y mantenimiento. Lea cuidadosamente toda la información para evitar lesiones y daños a la máquina.

NOTA: *En el manual se entrega información general que puede ser útil para el operador en la operación o mantenimiento de la máquina.*

ESTE SÍMBOLO INDICA INSTRUCCIONES IMPORTANTES DE SEGURIDAD QUE SI NO SE SIGUEN, PODRÍAN PONER EN PELIGRO SU SEGURIDAD PERSONAL. LEA Y SIGA LAS INSTRUCCIONES DE ESTE MANUAL ANTES DE INTENTAR USAR ESTE EQUIPO.



Antes de encender el motor:

Lea cuidadosamente esta sección. Lea todas las instrucciones de operación y mantenimiento de este producto. Si no sigue las instrucciones, se pueden producir daños a la propiedad personal, lesiones graves o la muerte. Opere la máquina de acuerdo con las instrucciones de seguridad que se describen aquí y que se encuentran insertas en el texto. Toda persona que use esta máquina debe leer las instrucciones y estar familiarizada con los controles.

Uso previsto o uso incorrecto previsible

IMPORTANTE: Este es un cultivador giratorio motorizado que trabaja el suelo mediante dientes giratorios. Es un producto controlado por un operador, sin autopropulsión, con motor de combustión interna a gasolina para impulsar los dientes. No se debe usar para ningún otro propósito.



AVISO

AVISO INDICA QUE EL EQUIPO PUEDE RESULTAR DAÑADO SI NO SE SIGUEN LAS INSTRUCCIONES DE SEGURIDAD A CONTINUACIÓN DE ESTA PALABRA DE SEÑALIZACIÓN.

PRECAUCIÓN

PRECAUCIÓN INDICA UN PELIGRO QUE, SI NO SE EVITA, PUEDE PROVOCAR LESIONES CORPORALES O DAÑOS A LA PROPIEDAD.

ADVERTENCIA

UNA ADVERTENCIA INDICA UN PELIGRO QUE, SI NO SE EVITA, PUEDE PROVOCAR LA MUERTE, LESIONES GRAVES O DAÑOS A LA PROPIEDAD.

PELIGRO

PELIGRO INDICA UN PELIGRO QUE, SI NO SE EVITA, DEFINITIVAMENTE PROVOCARÁ LA MUERTE, LESIONES GRAVES O DAÑOS A LA PROPIEDAD.

IMPORTANTE

IMPORTANTE INDICA INFORMACIÓN ÚTIL PARA UN ENSAMBLE, OPERACIÓN O MANTENIMIENTO ADECUADOS DE SU EQUIPO.

ADVERTENCIA

PROPUESTA DE ADVERTENCIA 65 DE CALIFORNIA

EL ESCAPE DEL MOTOR DE ESTE PRODUCTO CONTIENE PRODUCTOS QUÍMICOS, QUE SEGÚN EL ESTADO DE CALIFORNIA PUEDEN PRODUCIR CÁNCER, DEFECTOS DE NACIMIENTO U OTROS DAÑOS REPRODUCTIVOS.

ADVERTENCIA

DEBE LEER, COMPRENDER Y CUMPLIR CON TODAS LAS INSTRUCCIONES DE SEGURIDAD Y OPERACIÓN DE ESTE MANUAL ANTES DE INTENTAR INSTALAR Y OPERAR SU MÁQUINA.

SI NO CUMPLE CON TODAS LAS INSTRUCCIONES DE SEGURIDAD Y OPERACIÓN PUEDE PROVOCARSE LA PÉRDIDA DE CONTROL DEL MECANISMO, LESIONES PERSONALES GRAVES A USTED O A QUIENES SE ENCUENTREN CERCA Y EL RIESGO DE PROVOCAR DAÑOS AL EQUIPO O A LA PROPIEDAD. EL TRIÁNGULO EN EL TEXTO SIGNIFICA QUE SE DEBEN SEGUIR PRECAUCIONES O ADVERTENCIAS IMPORTANTES.

Reglas generales de seguridad

- Lea, comprenda y siga todas las instrucciones que aparecen en la máquina y en el(los) manual(es). Familiarícese completamente con los controles y con el uso adecuado de la máquina antes de arrancarla.
- Use este equipo solo para el propósito para el que fue diseñado.
- Familiarícese con todas las calcomanías de seguridad y de operación en este equipo y en cualquiera de sus acoplamientos o accesorios.
- No coloque las manos ni los pies cerca o debajo de piezas giratorias.
- Solo permita que personas responsables, que estén familiarizados con las instrucciones, operen la máquina. No permita que niños operen esta máquina. No permita que adultos operen la máquina sin la instrucción adecuada.
- Inspeccione completamente el área donde se va a usar la máquina y elimine todos los objetos extraños. El equipo puede lanzar objetos pequeños a alta velocidad, lo que provocará lesiones corporales o daños a la propiedad. Aléjese de los objetos frágiles tales como las ventanas de la casa, los automóviles, los invernaderos, etc.
- Use ropa adecuada, como una camisa o chaqueta con mangas largas. También use pantalones largos. No use pantalones cortos. Nunca use sandalias, zapatillas o zapatos abiertos y nunca opere la máquina con los pies descalzos.
- No use ropa suelta ni joyas. Estas pueden quedar atrapadas en las piezas móviles. Siempre mantenga las manos, los pies, el cabello y la ropa suelta lejos de las piezas móviles del motor y de la máquina.
- Siempre use gafas o lentes de seguridad con protectores laterales cuando opere la máquina, para proteger sus ojos de objetos extraños que se puedan lanzar desde la unidad. Siempre use un dispositivo de protección auditiva.
- Siempre use guantes de trabajo y calzado resistente. Use calzado que mejore el equilibrio en superficies resbaladizas. Los zapatos de trabajo de cuero o las botas cortas funcionan bien para la mayoría de las personas. Estos protegerán los tobillos y canillas del operador de pequeños palos, astillas y otros residuos.
- Se aconseja usar casco protector para evitar la posibilidad de que lo golpeen pequeñas partículas que puedan ser expulsadas o que lo golpeen ramitas o ramas pequeñas que cuelguen bajas, u otros objetos que puedan pasar inadvertidos por el operador.
- No opere la máquina sin las protecciones adecuadas u otros dispositivos protectores de seguridad.
- Consulte las instrucciones del fabricante para la operación e instalación adecuada de los accesorios. Solo use accesorios aprobados por el fabricante.
- Solo opere con luz de día o buena iluminación artificial.
- No opere el producto cuando se sienta cansado o esté bajo la influencia del alcohol, drogas ni otro medicamento que pueda provocar somnolencia o afectar su capacidad de operar esta máquina de manera segura.
- Nunca opere la máquina en el pasto húmedo. Siempre asegure su equilibrio; sujete firmemente el manillar y camine; nunca corra.
- Tenga cuidado cuando la use cerca del tráfico o cuando cruce calles.
- Si el equipo vibra de manera anormal, detenga el motor, desconecte el cable de la bujía de encendido y evite que toque la bujía de encendido. Busque inmediatamente la causa. Por lo general, la vibración es una advertencia de problemas. Si el ruido o las vibraciones de la máquina aumentan, deténgala inmediatamente y realice una inspección.
- Nunca deje la máquina sin supervisión cuando el motor está funcionando. Retire el cable de la bujía de encendido.
- Inspeccione regularmente la máquina. Asegúrese de que las piezas no están dobladas, dañadas ni sueltas.
- La temperatura del silenciador y las áreas cercanas puede exceder los 150 °F. Permita que el silenciador y las áreas del motor se enfríen antes de tocarlas. Nunca levante ni transporte la máquina mientras el motor está funcionando.
- Se debe evitar la exposición prolongada al ruido y la vibración de los equipos accionados por motor a gasolina. Tome descansos intermitentes o use protección auditiva contra el ruido del motor, además de guantes de trabajo pesado para reducir la vibración en las manos.
- Mantenga apretados todos los tornillos, tuercas y pernos.
- No transporte la máquina desde un lugar a otro con el motor funcionando.
- Cuando traslade la máquina embalada, siempre hágalo con otra persona.
- Consulte los reglamentos locales para conocer las restricciones de edad para el uso de esta máquina.

Reglas de seguridad específicas del producto

- No cultive sobre servicios subterráneos, como tuberías de agua, tuberías de gas, cables eléctricos o tuberías. No opere la máquina en suelos o terrenos con rocas grandes ni objetos extraños que puedan dañar el equipo.
- Después de golpear un objeto extraño, detenga el motor. Retire el cable de la bujía de encendido. Revise si hay daños en la máquina. Si hay daños, repárelos antes de arrancar y operar la máquina.
- Los dientes del cultivador no deben girar cuando el motor esté en ralentí. Si giran cuando el motor está en ralentí, comuníquese con *Earthquake* para solicitar instrucciones.
- Si un objeto se aloja en los dientes, apague el motor, retire el cable de la bujía y colóquelo en un área segura; deje enfriar antes de intentar retirar el objeto extraño.
- El embrague transferirá la potencia máxima después de dos horas de funcionamiento normal. Durante este período de rodaje, se puede producir el deslizamiento del embrague. El embrague se debe mantener libre de aceite u otros tipos de humedad para un funcionamiento eficaz.

! PELIGRO

LOS MOTORES EMITEN MONÓXIDO DE CARBONO, UN GAS VENENOSO INODORO E INCOLORO. EL MONÓXIDO DE CARBONO PUEDE ESTAR PRESENTE INCLUSO SI NO HUELE NI OBSERVA NINGUNA EMISIÓN EN EL ESCAPE DEL MOTOR. INHALAR MONÓXIDO DE CARBONO PUEDE PROVOCAR NÁUSEAS, DESMAYOS O LA MUERTE, ADEMÁS DE SOMNOLENCIA, MAREOS Y CONFUSIÓN.

SI PRESENTA ALGUNO DE ESTOS SÍNTOMAS, BUSQUE AIRE FRESCO Y ACUDA AL MÉDICO DE INMEDIATO.

! PRECAUCIÓN

LOS GASES CALIENTES SON UN SUBPRODUCTO NORMAL DE UN MOTOR DE COMBUSTIÓN INTERNA EN FUNCIONAMIENTO. SIGA TODAS LAS INSTRUCCIONES DE SEGURIDAD PARA EVITAR QUEMADURAS E INCENDIOS.

! ADVERTENCIA

NUNCA ALTERE NI MODIFIQUE EL MOTOR AL RECIBIRLO DE LA FÁBRICA. SE PUEDEN PRODUCIR LESIONES GRAVES O LA MUERTE SI SE MODIFICA O ALTERA EL MOTOR.

CUANDO TRABAJE EN PIEZAS DE REPUESTO PARA EL MOTOR O PRODUCTO, SIEMPRE DEBE COLOCAR EL INTERRUPTOR ON/OFF (ENCENDIDO/APAGADO) EN LA POSICIÓN OFF.

Precauciones de seguridad del motor

Si el producto viene con un manual del motor separado, asegúrese de leerlo y seguir todas las precauciones de seguridad y advertencia que se indican en él, además de las que aparecen en este manual.

Prevención de intoxicación por monóxido de carbono

- Siempre arranque y haga funcionar el motor en el exterior. No arranque ni haga funcionar el motor en un espacio cerrado, incluso si las puertas o ventanas están abiertas.
- Nunca intente ventilar el escape del motor en el interior. El monóxido de carbono puede alcanzar niveles peligrosos rápidamente.
- Nunca arranque el motor en el exterior donde los gases de escape puedan ingresar a un edificio.
- Nunca arranque el motor en el exterior en un área poco ventilada donde los gases de escape puedan quedar atrapados o no se puedan sacar fácilmente (Ejemplos: en una excavación grande o en lugares donde su área de trabajo esté rodeada de colinas).
- Nunca arranque el motor en un espacio cerrado o parcialmente cerrado. (Ejemplos: edificios cerrados en uno o más lados, en tiendas de campaña, cocheras o sótanos).
- Siempre arranque el motor con el escape y el silenciador apuntando en dirección contraria al operador.
- Nunca apunte el silenciador o escape hacia alguien. Las personas siempre deben estar bastante lejos de la operación del motor y sus acoplamientos.
- No cambie los ajustes del regulador del motor ni acelere demasiado el motor.

Incendios de gasolina y manipulación segura del combustible

Tenga mucho cuidado cuando manipule gasolina y otros combustibles. Ellos son inflamables y los vapores son explosivos.

- Cuando almacene combustible adicional, asegúrese de hacerlo en un recipiente adecuado y lejos de cualquier peligro de incendio.
- Evite incendios y explosiones provocados por la descarga eléctrica estática. Use solamente recipientes para combustibles portátiles y no metálicos, aprobados por Underwriter's Laboratory (U.L.) o la Asociación estadounidense para pruebas y materiales (ASTM, American Society for Testing & Materials).
- Nunca saque la tapa del depósito de combustible ni agregue combustible con el motor funcionando. Detenga el motor y deje enfriar antes de llenarlo.
- Nunca vacíe el combustible del motor en un espacio cerrado.

- Siempre llene el tanque de combustible en el exterior, en un área bien ventilada. Nunca llene el tanque de combustible en el interior. (Ejemplos: en el sótano, el garaje, el granero, el cobertizo, la casa, el porche, etc.) Nunca llene el tanque cerca de equipos que tengan luces piloto, calentadores ni otras fuentes de encendido. Si tiene que vaciar el combustible, esto se debe realizar en el exterior. El combustible vaciado se debe almacenar en un recipiente específicamente diseñado para almacenar combustible o se debe desechar cuidadosamente.
- Siempre limpie el exceso de combustible (derramado) del motor antes de arrancarlo. Limpie inmediatamente el combustible derramado. Si se derrama combustible, no arranque el motor sino que saque el producto y el recipiente de combustible del área. Limpie el combustible derramado, deje que se evapore y seque después de limpiar y antes de arrancar.
- Deje que los gases o vapores de combustible se ventilen del área antes de arrancar el motor.
- Compruebe que la tapa del depósito de combustible esté instalada correctamente antes de arrancar y usar el motor.
- Siempre arranque el motor con la tapa del depósito de combustible instalada correctamente en el motor.
- Nunca fume mientras rellene el tanque de combustible del motor.
- No almacene el motor con combustible en el tanque en interiores. El combustible y los vapores de combustible son muy explosivos.

Preparación

- Vístase adecuadamente cuando opere el cultivador. Siempre use calzado resistente. Nunca use sandalias, zapatillas o zapatos abiertos y nunca opere el cultivador con los pies descalzos. No use ropa suelta que pueda quedar atrapada en las piezas móviles.
- Inspeccione atentamente el área que se cultivará y elimine todos los objetos extraños. No cultive sobre tuberías de agua, tuberías de gas, cables eléctricos o tuberías subterráneas. No opere el cultivador en suelos con rocas grandes ni objetos extraños que puedan dañar el equipo.

- Manipule el combustible con cuidado; es sumamente inflamable.
 - a. Use un recipiente aprobado para combustible.
 - b. Nunca agregue combustible en un motor en funcionamiento o caliente.
 - c. Llene el tanque de combustible al aire libre con mucho cuidado. Nunca llene el tanque de combustible en interiores.
 - d. Vuelva a colocar la tapa de la gasolina firmemente y limpie el combustible derramado antes de volver a arrancar.

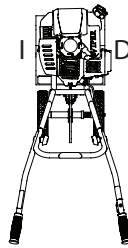
- Tenga todas las precauciones posibles cuando deje la máquina sin atender. Desenganche el control de aceleración, detenga el motor, espere que se detengan todas las piezas en movimiento y asegúrese de que todas las protecciones estén en su lugar.
- Cuando deje la posición de operación por cualquier motivo:
 - apague el motor.
 - espere que todas las piezas móviles se detengan.

AVISO

LOS COSTADOS DERECHO E IZQUIERDO DEL CULTIVADOR SE DETERMINAN DESDE LA POSICIÓN DE OPERACIÓN, MIRANDO HACIA DELANTE EN EL SENTIDO DE AVANCE.

EL MOTOR DE 2 CICLOS USA UNA PROPORCIÓN DE GASOLINA A ACEITE DE 50:1.

NO USE GASOLINA PURA SIN MEZCLAR, DE LO CONTRARIO DAÑARÁ EL MOTOR.



PRECAUCIONES DE OPERACIÓN

- No opere el cultivador bajo la influencia del alcohol o las drogas.
- Nunca opere el cultivador sin protecciones, cubiertas o tapas.
- Mantenga las manos, pies y ropa alejados de las piezas giratorias. Manténgase alejado de los dientes del cultivador en todo momento.
- Los dientes giran cuando el cultivador está enganchado; los dientes giran cuando se tira de la palanca de control de seguridad de la transmisión hacia arriba. El desenganche de la palanca de control de seguridad de la transmisión hacia la posición neutra detiene los dientes.
- Tenga sumo cuidado cuando opere en entradas de gravilla, veredas o caminos, o pase por ellos. Esté atento a peligros ocultos o al tránsito.
- Después de golpear un objeto extraño, detenga el motor, retire el cable de la bujía de encendido, inspeccione minuciosamente el cultivador en busca de daños y repare los daños antes de volver a arrancar y operar el cultivador.
- Si la vegetación obstruye los dientes, detenga el motor y desconecte el cable de la bujía de encendido antes de quitar la vegetación con la mano.
- Si la unidad comienza a vibrar de manera anormal, detenga el motor y revise inmediatamente la causa. Por lo general, la vibración es una advertencia de problemas.
- No haga funcionar el motor en interiores; los vapores de escape son mortales.
- No sobrecargue la capacidad de la máquina intentando arar demasiado profundo con una velocidad demasiado rápida.
- Nunca opere el cultivador sin buena visibilidad o iluminación.

PRECAUCIONES DE MANTENIMIENTO Y ALMACENAMIENTO

- Mantenga la máquina, los acoplamientos y los accesorios en buenas condiciones.
- Revise frecuentemente si los pernos de seguridad, los pernos de montaje del motor y otros pernos están apretados correctamente, para asegurarse de que los equipos estén en buenas condiciones.
- Para evitar un arranque accidental, siempre desconecte y fije el cable de la bujía de encendido antes de realizar mantenimiento al cultivador.
- Nunca arranque el motor en interiores. Los vapores de escape son mortales.
- Siempre permita que el silenciador se enfríe antes de llenar el tanque de combustible.
- Nunca almacene equipos con gasolina en el tanque dentro de un lugar cerrado, donde los vapores puedan alcanzar una llama abierta o una chispa. Permita que el motor se enfríe antes de almacenarlo en cualquier edificación.
- Siempre consulte los detalles importantes en las instrucciones de la guía del operador, si almacenará el cultivador por un período prolongado.

QUEMADURAS E INCENDIOS

El silenciador, la protección del silenciador y otras piezas del motor se calientan demasiado durante el funcionamiento del motor. Estas piezas permanecen muy calientes después de detener el motor.

Prevención de quemaduras e incendios

- Nunca retire la protección del silenciador del motor.
- Nunca toque la protección del silenciador porque está muy caliente y provocará quemaduras graves.
- Nunca toque las piezas del motor que se calientan después del funcionamiento.
- Siempre mantenga materiales y residuos alejados de la protección del silenciador y de otras piezas calientes del motor para evitar incendios.

Niños y transeúntes

Pueden ocurrir accidentes trágicos si el operador no está alerta a la presencia de niños o personas que lo rodean. Nunca suponga que los demás permanecerán donde los vio por última vez.

- Mantenga el área de operación sin personas, especialmente niños y mascotas. Mantenga a los niños bajo el cuidado atento de un adulto responsable.
- Esté alerta y apague la máquina si hay niños en el área.
- Antes y mientras se mueve marcha atrás, mire detrás de usted y hacia abajo para asegurarse de que no haya niños pequeños.
- Nunca permita que los niños operen la máquina.
- Tenga mucho cuidado cuando se aproxime a curvas cerradas, arbustos, árboles u otros objetos que dificulten la visibilidad.

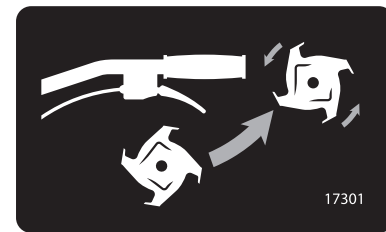
Revisión

- Siempre detenga el motor cada vez que deje el equipo, antes de limpiar, reparar o inspeccionar la unidad. El motor debe apagarse y enfriarse. Nunca realice ajustes ni reparaciones con el motor funcionando. Coloque el interruptor ON/OFF en la posición **OFF** para evitar un arranque accidental.
- Siempre use protección para los ojos cuando realice ajustes o reparaciones.
- Mantenga apretados todos los pernos y tuercas y mantenga el equipo en buenas condiciones.
- Nunca altere los dispositivos de seguridad. Revise en forma regular que funcionen correctamente.
- Cuando realice mantenimiento o reparaciones a la máquina, no vuelque ni eleve la máquina a menos que se indique específicamente en este manual. Los procedimientos de mantenimiento y reparación se pueden realizar con la máquina en una posición vertical. Algunos procedimientos serán más fáciles de realizar si la máquina se levanta en una plataforma o superficie elevada de trabajo.
- Para reducir el riesgo de incendio, mantenga la máquina libre de pasto, hojas y la acumulación de otros residuos. Limpie los derrames de aceite o combustible. Permita que la máquina se enfríe antes de almacenarla.
- Deténgase e inspeccione el equipo si golpea un objeto. Repare, si es necesario, antes de volver a arrancar.
- Limpie y reemplace las calcomanías de seguridad e instrucción, según sea necesario.
- Inspeccione la máquina antes de guardarla. Cuando no esté en uso, coloque el interruptor ON/OFF en la posición **OFF** y almacénela en el interior en un lugar seco con llave o, de lo contrario, en un lugar inaccesible para los niños.
- Use solo piezas de equipos originales de *Earthquake*, como tuercas y pernos.



N.º de pieza 17048

Calcomanía de advertencia del cultivador: Protección de los dientes



N.º de pieza 17301

Calcomanía de control del acelerador: Manillar derecho

**When starting engine,
place free hand here.
Pour démarrer le moteur,
placer le main libre ici.**

17918

N.º de pieza 17918

Calcomanía de ubicación de arranque seguro manos libres:
Manillar izquierdo

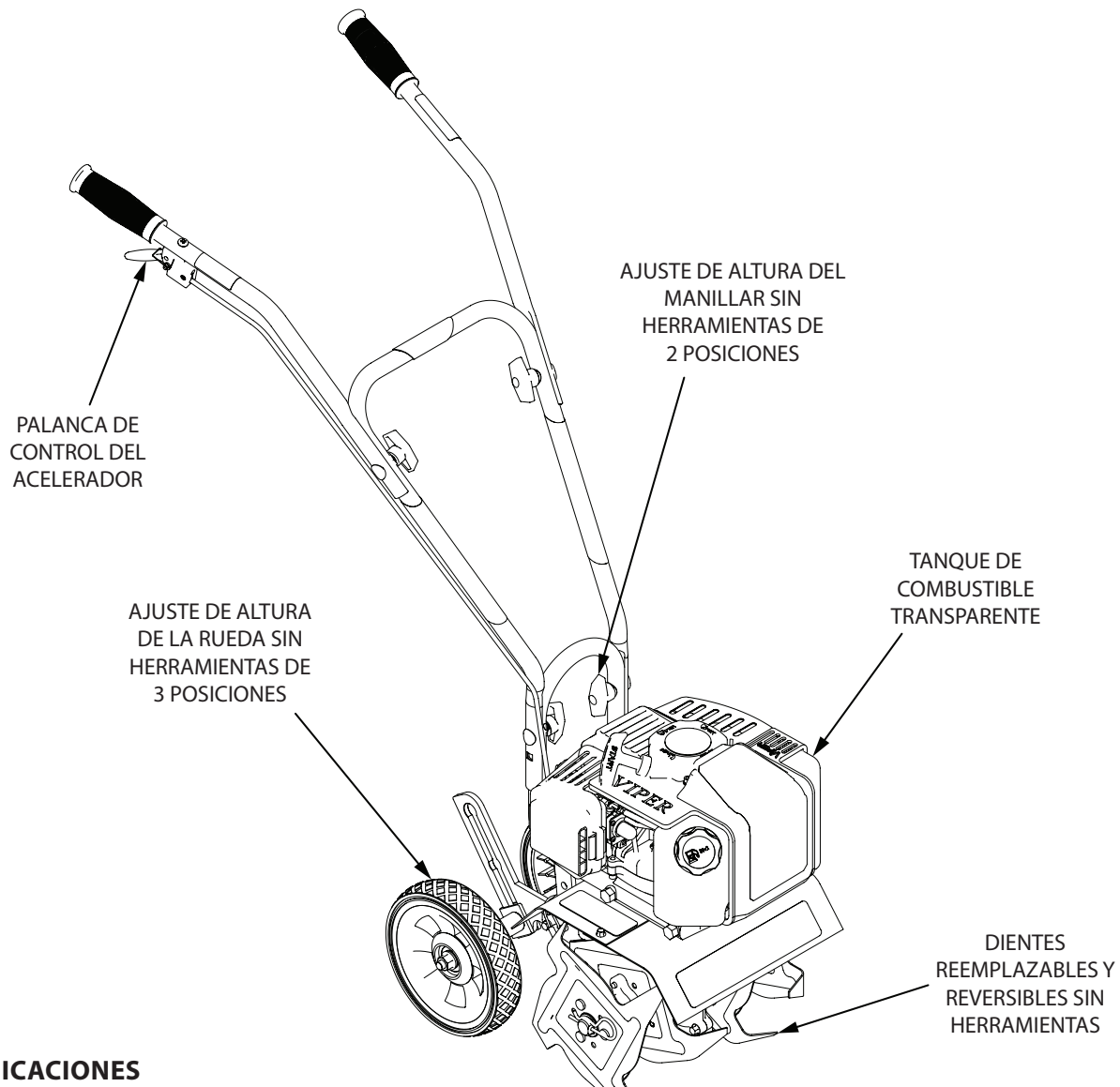
CALCOMANÍAS DE SEGURIDAD

Este cultivador está diseñado y fabricado para proporcionarle la seguridad y confiabilidad que esperaría de una empresa líder en la fabricación de equipos de potencia para exteriores.

Leer este manual y las instrucciones de seguridad que contiene le entregará el conocimiento básico necesario para operar el equipo de manera segura y eficaz. Colocamos una calcomanía de seguridad en el cultivador para recordarle parte de esta información importante mientras opera la unidad.

Estas calcomanías importantes de seguridad se muestran aquí para ayudarlo a familiarizarse con la ubicación y el contenido de los mensajes de seguridad que verá mientras realiza operaciones normales de cultivo. Revise estas calcomanías ahora, y si tiene alguna pregunta respecto a su significado o de qué manera cumplir con estas instrucciones, vuelva a leer todo el texto acerca de instrucciones de seguridad en este manual.

CARACTERÍSTICAS



ESPECIFICACIONES

DESPLAZAMIENTO DEL MOTOR	43 cc
CAPACIDAD DEL TANQUE DE COMBUSTIBLE	36 fl-oz
PROPORCIÓN ACEITE/ GASOLINA	50:1 - 2.6 fl-oz por galón
TIPO DE ACEITE	Aceite de motor de 2 ciclos Viper (Número de pieza: 16890)
TIPO DE COMBUSTIBLE	Gasolina de 87 octanos mínimo. NOTA: Si usa un combustible mezclado con etanol, se recomienda usar un estabilizador de combustible, mezclado según las especificaciones del fabricante.

BUJÍA DE ENCENDIDO	L7RTC
SEPARACIÓN DE LA BUJÍA DE ENCENDIDO	0.027 in
TRANSMISIÓN	Transmisión de engranajes de bronce
RELACIÓN DE LOS ENGRANAJES	32:1
ANCHO DE ARADO	6 in mín.; 10 in máx.
PROFUNDIDAD DE ARADO	8 in máx.
VELOCIDAD DE LOS DIENTES	250 rpm máx.
TAMAÑO DE LAS RUEDAS	7.0 in diám. x 1.375 in de ancho
PESO DE LA UNIDAD	33 lb
TAMAÑO MONTADO	35 x 18 x 38 in (L x A x A)

DESEMPAQUE Y MONTAJE

Desempaquetado del cultivador

1. Con cuidado, saque el cultivador de la caja, retire todo el material de empaque y corte todas las amarras que afirman las piezas del manillar al conjunto del cultivador.
2. Encuentre el paquete de piezas. El paquete de piezas contiene:
 - 4 - Tuercas de la manilla en T (4640)
 - 4 - Arandelas curvas (4641)
 - 4 - Pernos de apoyo (4642)

Montaje

1. Coloque el cultivador en posición vertical con los dientes y las ruedas en una superficie nivelada. Las ruedas se deben ajustar en la posición más baja. **NO** coloque el cultivador en una superficie alta donde se pueda caer y provocar daños a la propiedad o lesiones corporales.
2. Con las dos tuercas de la manilla en T, los dos pernos de apoyo y las dos arandelas curvas, una el manillar central con el manillar inferior que ya está conectado al conjunto del cultivador. El manillar central se puede instalar en una de dos posiciones, alta o baja. **NO** apriete en exceso las tuercas de la manilla en T. **CONSULTE LA FIGURA 1**
3. Una el manillar superior derecho e izquierdo con el manillar central con las dos tuercas restantes de la manilla en T, los pernos de apoyo y las arandelas curvas. **CONSULTE LA FIGURA 1. NO apriete en exceso las tuercas de la manilla en T.**
4. El espolón de arrastre se envía con la punta hacia arriba. Antes de usar, retire el pasador de bloqueo y gire el espolón de arrastre para que la punta se oriente hacia abajo, de frente a los dientes. Vuelva a insertar el pasador de bloqueo. **CONSULTE LA FIGURA 2.**

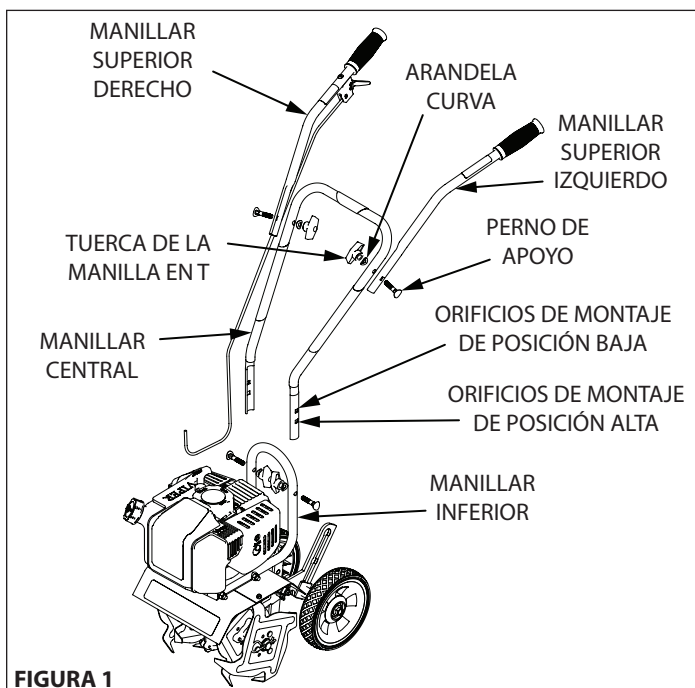


FIGURA 1

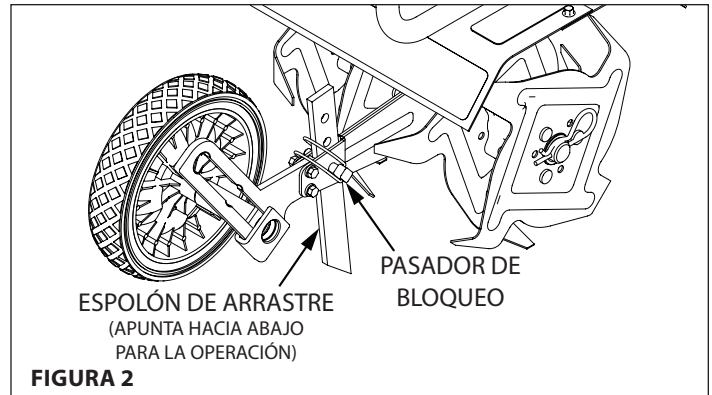


FIGURA 2

OPERACIÓN

Consejos de operación

1. El embrague transferirá la potencia máxima después de dos horas de funcionamiento normal. Durante este período de rodaje, se puede producir el deslizamiento del embrague. El embrague se debe mantener libre de aceite y otros tipos de humedad para un funcionamiento eficaz.
2. Cultive sin colocar demasiado peso corporal en la unidad. El cultivador funciona de manera más eficaz con el peso de la propia unidad.

IMPORTANTE

PARA HACER FUNCIONAR EL MOTOR, RECOMENDAMOS USAR ACEITE DE 2 CICLOS DE LA MARCA "VIPER" (16890), O UN ACEITE DE 2 CICLOS EQUIVALENTE DE ALTA CALIDAD, DISEÑADO PARA MOTORES DE 2 CICLOS ENFRIADOS POR AIRE, CON EL FIN DE GARANTIZAR QUE EL MOTOR FUNCIONE CORRECTAMENTE DURANTE TODA SU VIDA ÚTIL. USE GASOLINA PREMIUM; SE RECOMIENDAN LAS MEZCLAS CON BAJO CONTENIDO DE ETANOL O SIN ETANOL.

Preparación del motor para el arranque

Mezclado de combustible y llenado del tanque de gasolina

GASOLINA	ACEITE	RELACIÓN
1 galón	2.6 onzas líquidas	50:1
2 galones	5.1 onzas líquidas	50:1
5 galones	13 onzas líquidas	50:1

NOTA: El motor debe funcionar con una proporción de combustible a aceite de 50:1.

1. El combustible se debe mezclar en un recipiente en el exterior, en un área bien ventilada.
2. Llene el recipiente para combustible certificado a 1/4 de su capacidad con el combustible recomendado.
3. Agregue la cantidad recomendada de aceite de 2 ciclos.
4. Enrosque la tapa del recipiente de gasolina firme y derecha.
5. Agite el recipiente para mezclar el combustible y el aceite.
6. Desenrosque lentamente la tapa del depósito de gasolina para ventilar, agregue el resto de los requisitos de combustible.
7. Limpie todo el combustible o aceite derramado y deje evaporar antes de mover o transportar.

⚠️ ADVERTENCIA

NO ALMACENE EL MOTOR EN INTERIORES CON COMBUSTIBLE EN EL TANQUE. EL COMBUSTIBLE Y LOS VAPORES DE COMBUSTIBLE SON MUY INFLAMABLES.

NUNCA MEZCLE COMBUSTIBLE Y ACEITE DIRECTAMENTE EN EL TANQUE DE GASOLINA DEL MOTOR. USE SOLAMENTE RECIPIENTES PARA COMBUSTIBLES PORTÁTILES Y NO METÁLICOS, APROBADOS POR UNDERWRITER'S LABORATORY (U.L.) O LA ASOCIACIÓN ESTADOUNIDENSE PARA PRUEBAS Y MATERIALES (ASTM, AMERICAN SOCIETY FOR TESTING & MATERIALS).

UN ADULTO SIEMPRE DEBE MANIPULAR Y LLENAR EL MOTOR CON COMBUSTIBLE.

SIEMPRE MANIPULE LA GASOLINA EN UN ÁREA BIEN VENTILADA O EN EXTERIORES, LEJOS DE LLAMAS O CHISPAS.

NO ARRANQUE EL MOTOR SI HAY DERRAME DE COMBUSTIBLE. LIMPIE EL EXCESO DE COMBUSTIBLE Y DEJE SECAR. RETIRE EL MOTOR DEL ÁREA PARA EVITAR CHISPAS.

NUNCA ARRANQUE EL MOTOR EN INTERIORES. LOS VAPORES DE ESCAPE SON MORTALES.

NO SEGUIR ESTAS ADVERTENCIAS PUEDE PROVOCAR DAÑOS AL EQUIPO Y LESIONES AL PERSONAL.

AVISO

ESTE MOTOR USA UNA MEZCLA DE COMBUSTIBLE Y ACEITE. NO LO HAGA FUNCIONAR SOLO CON GASOLINA, SE PUEDEN PRODUCIR DAÑOS EN EL MOTOR.

Llenado del tanque de combustible

1. Apague el motor y deje que se enfríe completamente antes de volver a llenar el tanque.
2. Trasládese a un área bien ventilada o al exterior, lejos de llamas o chispas.
3. Limpie los residuos del área alrededor de la tapa del depósito de combustible.
4. Afloje lentamente la tapa del depósito de combustible. Coloque la tapa en una superficie limpia y seca.
5. Agregue combustible cuidadosamente sin derramarlo.
6. No llene el tanque de gasolina a toda su capacidad, deje espacio para que el combustible se expanda.
7. Inmediatamente, vuelva a colocar y apretar la tapa del depósito de combustible. Limpie el combustible derramado y deje secar antes de arrancar el motor.

Retiro e instalación de los dientes

Para retirar los dientes, realice lo siguiente: **CONSULTE LA FIGURA 3**

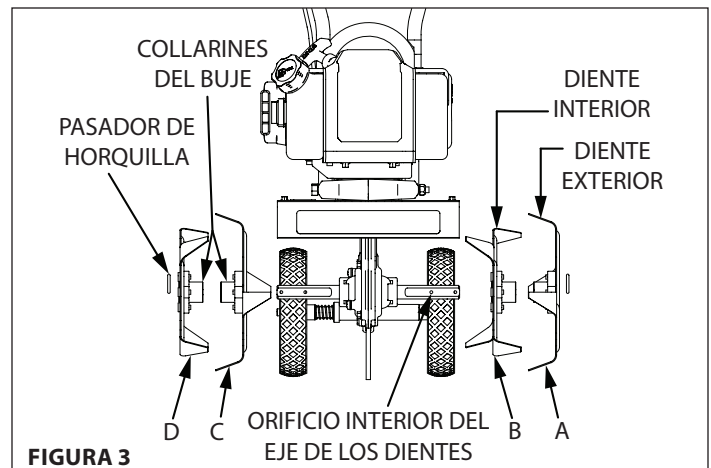
1. Retire los pasadores de horquilla de cada extremo del eje de los dientes.
2. Deslice los cuatro dientes para sacarlos del eje.

Para instalar los dientes

1. Primero, deslice los dientes interiores hacia el extremo del eje de los dientes. Un diente interior tiene grabada una letra **B** y el otro tiene grabada una letra **C**.
2. Luego, deslice el diente exterior **A** y el diente **D** hacia cada uno de los extremos del eje. Los dientes se deben instalar en el orden correcto, de modo que estén colocados, de izquierda a derecha, **A, B, C, D**, vistos desde la posición del usuario en el cultivador. Asegúrese de que los collarines del buje tanto en el par de dientes derecho como en el izquierdo estén frente a frente, de modo que exista un espacio adecuado entre las cuchillas de los dientes.
3. Inserte los pasadores de horquilla en los orificios en cada extremo del eje de los dientes, para bloquear estos últimos en su lugar.

NOTA: *Los dientes se pueden invertir para que las puntas de los dientes se dirijan hacia afuera, para una excavación más agresiva. En esta disposición, los dientes están ubicados de izquierda a derecha como **D, C, B, A**, vistos desde la posición del usuario.*

Para reducir el ancho del cultivo de 10" a 6", retire ambos dientes exteriores y vuelva a insertar los pasadores de horquilla a través de los dos orificios interiores del eje de los dientes, para fijar ambos dientes interiores en su lugar.



Arranque y detención del motor

- Traslade el motor hasta un área bien ventilada, en el exterior, para evitar una intoxicación por monóxido de carbono.
- Trasládese a un área lejos de llamas o chispas, para evitar el encendido de vapores, si los hubiera.
- Retire todos los residuos de los orificios del purificador de aire y de la tapa del depósito de gasolina para garantizar un flujo de aire adecuado.

Arranque en frío del motor (CONSULTE LA FIGURA 4):

Arranque del motor por primera vez, después de haberlo enfriado o después de haberse quedado sin combustible.

1. Ceebe la unidad hasta que la manguera del cebador se llene de gasolina.

NOTA: *Cuando utilice el bulbo del cebador, permita que este vuelva completamente a su posición original entre un empujón y otro.*

⚠️ ADVERTENCIA

ASEGÚRESE DE QUE LA UNIDAD ESTÉ EN UNA POSICIÓN ESTABLE ANTES DE TIRAR DE LA MANILLA DE ARRANQUE.

CUANDO LA UNIDAD COMIENZE A ENCENDER O ARRANCAR, DEVUELVA AMBAS MANOS A LA POSICIÓN DEL MANILLAR PARA MANTENER EL CONTROL Y LA ESTABILIDAD DE LA UNIDAD.

LA CUERDA DE ARRANQUE PUEDE PROVOCAR UN TIRÓN IMPREVISTO HACIA EL MOTOR. SIGA LAS INSTRUCCIONES PARA EVITAR LESIONES.

NUNCA DEJE EL MOTOR FUNCIONANDO SIN SUPERVISIÓN. APÁGUELO DESPUÉS DE CADA USO.

NUNCA TRASLADÉ EL CULTIVADOR DE UN LUGAR A OTRO MIENTRAS EL MOTOR ESTÁ FUNCIONANDO.

SIEMPRE USE UN DISPOSITIVO DE PROTECCIÓN AUDITIVA.

NO ARRANQUE EL MOTOR SI HAY DERRAME DE COMBUSTIBLE. LIMPIE EL EXCESO DE COMBUSTIBLE Y DEJE SECAR.

- Mueva la palanca del estrangulador a la posición **CHOKE** (Estrangular).

NOTA: La posición **CHOKE** se define moviendo la palanca del estrangulador hacia la posición **CHOKE**, tanto como sea posible.

- Presione el interruptor ON/OFF en la posición **ON**.
- Sostenga el manillar firmemente. Agarre el mango de arranque con la otra mano y tire de él lentamente, hasta que hacerlo sea levemente más difícil. Sin dejar que el mango de arranque se retraiga, tire de la cuerda con un rápido movimiento de brazo. Permita que vuelva a su posición original lentamente. Repita este paso cada vez que tire de la cuerda de arranque, hasta que la unidad se encienda o arranque.

NOTA: Si el motor no arranca después de 5 a 6 tirones, pulse el cebador 1 vez y vuelva a tirar de la cuerda de arranque.

- Después de que el motor arranque, mueva la palanca del estrangulador a la posición **HALF CHOKE** (Estrangulamiento medio) hasta que funcione sin problemas.

NOTA: La posición de estrangulamiento medio se define cuando la palanca del estrangulador está entre **CHOKE** y **RUN** (Arrancar).

- Mueva la palanca del estrangulador a la posición **RUN** y apriete el acelerador hasta la velocidad deseada.

NOTA: Acelere completamente cuando sea posible. No deje que la unidad funcione al ralentí durante períodos prolongados.

- Para detener el motor, presione el interruptor ON/OFF en la posición **OFF**.

Arranque en tibio o caliente del motor:

- Comience con el Paso 3 de Arranque en frío del motor.
- Si el motor no enciende, consulte el Paso 1 de Arranque en frío del motor.

NOTA: Si el motor no arranca después de seguir los procedimientos de arranque, comuníquese con nuestro departamento de servicio al cliente al 800-345-6007, o envíe un correo electrónico a info@getearthquake.com

⚠️ ADVERTENCIA

NO INTENTE ARRANCAR EL MOTOR DE LAS SIGUIENTES MANERAS:

- NO USE LÍQUIDO DE ARRANQUE.
- NO PULVERICE LÍQUIDOS O VAPORES INFLAMABLES EN EL PURIFICADOR DE AIRE, CARBURADOR O EN LA CÁMARA DE LA BUJÍA DE ENCENDIDO.
- NO RETIRE LA BUJÍA DE ENCENDIDO E INTENTE ARRANCAR EL MOTOR. EL COMBUSTIBLE INFLAMABLE SE PUEDE ROCIAR Y ENCENDER A PARTIR DE UNA CHISPA DE LA BUJÍA DE ENCENDIDO.

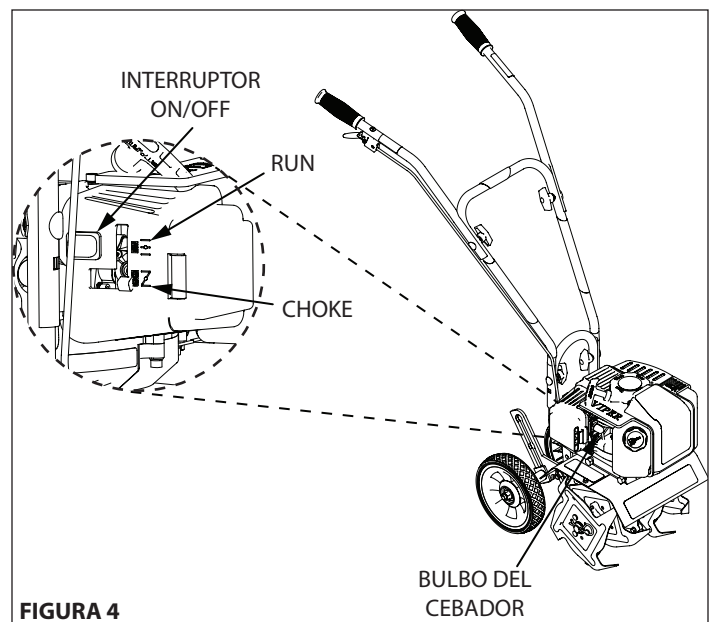


FIGURA 4

Ajuste de las ruedas y del espalón de arrastre

Las ruedas del cultivador se pueden ajustar en una de tres posiciones. La posición **BAJA** de las ruedas se usa para transportar el cultivador a través de una superficie lisa y nivelada mientras el motor no está funcionando. Las posiciones **ALTA** y **MÁS ALTA** se usan cuando se cultiva la tierra y permiten estabilizar la unidad cuando se cultiva en diversas profundidades. **CONSULTE LA FIGURA 5**

Para ajustar las ruedas hacia arriba o hacia abajo, realice lo siguiente:

CONSULTE LAS FIGURAS 5 Y 6:

- Tire del manguito de detención de metal contra el resorte, lejos de la guía vertical, hasta que se suelte de una de las tres posiciones dentadas en la guía vertical.
- Deslice el conjunto de ruedas hacia arriba o hacia abajo, hasta la posición deseada, y suelte el manguito de detención de metal hasta que se bloquee en la muesca deseada de la guía vertical.

**Para ajustar el espolón de arrastre, realice lo siguiente:
CONSULTE LA FIGURA 7**

El espolón de arrastre se usa para permitir la regulación de la profundidad del cultivo y para evitar que el cultivador salte hacia adelante durante el funcionamiento. La resistencia ante el movimiento hacia adelante es mayor cuando el espolón de arrastre está en la posición más baja, lo que permite un cultivo más profundo.

1. Retire el pasador de bloqueo del orificio de montaje del espolón de arrastre.
2. Coloque el espolón de arrastre con la punta orientada hacia abajo.
3. Inserte el pasador de bloqueo en el orificio que logra la profundidad deseada.

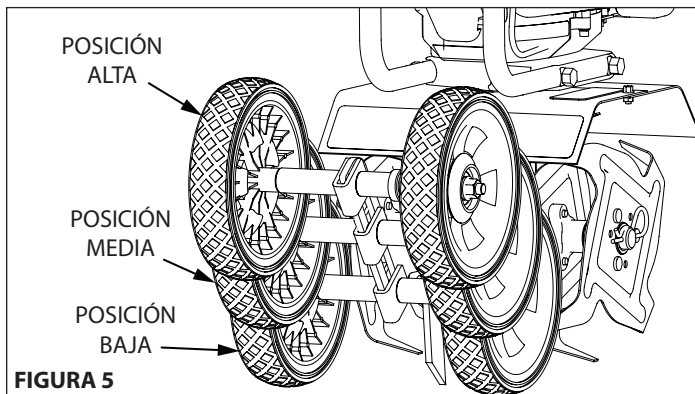


FIGURA 5

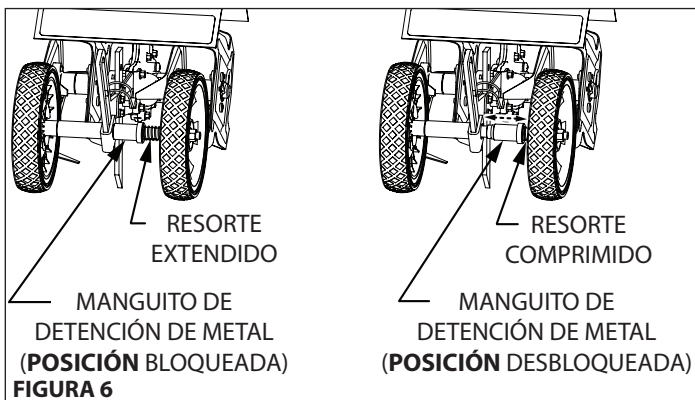


FIGURA 6

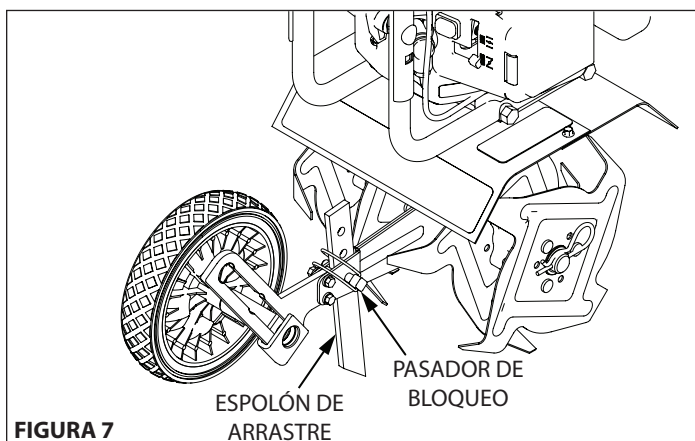


FIGURA 7

⚠ ADVERTENCIA

ENTODO MOMENTO MANTENGA LA SEGURIDAD COMO PRÁCTICA HABITUAL. ANTES DE INTENTAR REALIZAR TAREAS DE MANTENIMIENTO O REPARACIONES, EL MOTOR DEBE ESTAR APAGADO Y FRÍO, Y SE DEBE DESCONECTAR EL CABLE DE LA BUJÍA DE ENCENDIDO.

PARA EVITAR UN ARRANQUE ACCIDENTAL:

EL MOTOR DEBE ESTAR APAGADO Y FRÍO, Y SE DEBE RETIRAR EL CABLE DE LA BUJÍA DE ENCENDIDO ANTES DE REVISAR Y AJUSTAR EL MOTOR O LOS EQUIPOS.

LA TEMPERATURA DEL SILENCIADOR Y LAS ÁREAS CERCANAS PUEDE EXCEDER LOS 150 °F. EVITE ESTAS ÁREAS.

REVISE EL CULTIVADOR FRECUENTEMENTE PARA VER SI HAY TUERCAS O PERNOS SUELTOS. MANTENGA ESTOS ELEMENTOS APRETADOS.

NUNCA ALMACENE EL MOTOR CON COMBUSTIBLE EN EL TANQUE AL INTERIOR DE UN EDIFICIO. ES POSIBLE QUE HAYA CHISPAS POR EL ENCENDIDO DE COMBUSTIBLE Y VAPORES DE COMBUSTIBLE.

SIEMPRE UN ADULTO DEBE REALIZAR MANTENIMIENTO O REPARACIÓN EN EL MOTOR Y EL CULTIVADOR.

EL MOTOR DEBE ESTAR APAGADO, FRÍO Y SE DEBE RETIRAR EL CABLE DE LA BUJÍA DE ENCENDIDO ANTES DE PODER REALIZAR MANTENIMIENTOS O REPARACIONES.

MANTENIMIENTO Y ALMACENAMIENTO

Pasos para trabajar en los equipos (CONSULTE LA FIGURA 8):

1. Gire el interruptor del motor hasta la posición **OFF**.
2. Desconecte el cable de la bujía de encendido.
3. Coloque el cable desconectado de la bujía de encendido lejos de la bujía de encendido y de piezas de metal. Esto se debe realizar siempre o se puede formar un arco entre el cable de la bujía de encendido y las piezas de metal.
4. Reemplace o repare la pieza del cultivador.
5. Revise que todas las piezas que se repararon o retiraron durante la reparación, estén seguras y ajustadas correctamente.

NOTA: *Todas las piezas de repuesto deben provenir de la fábrica. Nunca reemplace piezas que no estén específicamente diseñadas para el cultivador.*

6. Vuelva a conectar el cable de la bujía de encendido.

Mantenimiento del cultivador

1. Mantenga apretados todos los tornillos, tuercas y pernos.
2. Para el funcionamiento en climas fríos, almacene la unidad en un ambiente fresco. Transferir la unidad desde un lugar frío a uno cálido puede provocar la acumulación de condensación dañina.

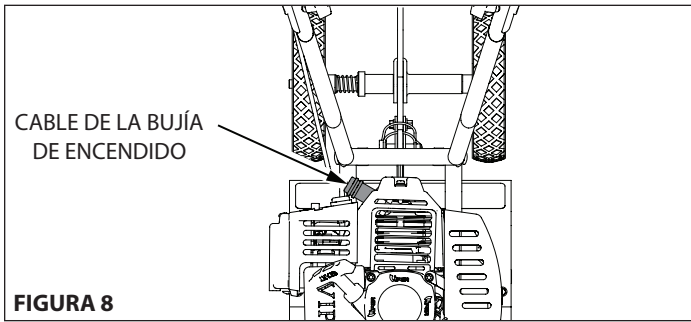


FIGURA 8

Mantenimiento del motor

Lea el programa de mantenimiento y siga estas recomendaciones para extender la vida útil del motor.

El buen mantenimiento es esencial para un funcionamiento seguro, económico y sin problemas. Además, ayudará a reducir la contaminación ambiental. Para ayudarlo a cuidar correctamente el motor, las páginas a continuación incluyen un programa de mantenimiento, procedimientos de inspección de rutina y procedimientos de mantenimiento simples utilizando herramientas manuales básicas. Otras tareas de mantenimiento que son más difíciles, o que requieren herramientas especiales, son mejor manejadas por profesionales y, por lo general, las realiza un técnico u otro mecánico calificado.

Un establecimiento o persona especializados en la reparación de motores para uso fuera de carretera pueden realizar el mantenimiento, el reemplazo o la reparación de los dispositivos y sistemas de control de emisiones. Sin embargo, un concesionario autorizado debe realizar el mantenimiento de los elementos para obtener un servicio de control de emisiones "sin cobro".

Este programa de mantenimiento aplica a condiciones de funcionamiento normales. Si hace funcionar el motor en condiciones inusuales, tales como el funcionamiento sostenido con cargas altas o funcionamiento a altas temperaturas, o el uso en condiciones excepcionalmente húmedas o polvorientas, consulte a su concesionario de mantenimiento para solicitar recomendaciones que se apliquen a sus necesidades y uso individuales.

Programa de mantenimiento

ELEMENTO DE MANTENIMIENTO		Cada 8 horas (diario)	Cada 20 horas o por temporada	Cada año
Limpiar el motor y revisar los pernos y las tuercas		X		
Filtro de aire (Consulte la sección Filtro de aire)	Revisar	X		
	Limpiar *		X	
	Reemplazar		X	X
Bujía de encendido (Separación 0.028") (Consulte la sección Bujía de encendido)	Revisar o ajustar		X	
	Reemplazar			X

* En condiciones polvorientas, realice mantenimiento con mayor frecuencia

Bujía de encendido

La bujía de encendido recomendada es Torch L7RTC, que se remite a Champion RCJ6Y.

1. Revise la bujía de encendido al comienzo de cada temporada.
2. Desconecte la tapa de la bujía de encendido y limpie todos los residuos del área alrededor de la bujía.
3. Retire la bujía de encendido y reemplácela si sucede alguno de los siguientes casos: electrodos picados, electrodos quemados, porcelana resquebrajada o depósitos alrededor de los electrodos.
4. Después del análisis, acomode la bujía de encendido y apriétela con una llave para bujías. Vuelva a conectar el cable de la bujía de encendido.
 - Vuelva a instalar la bujía de encendido original, apriete 1/2 vuelta adicional.
 - Para instalar una nueva bujía de encendido, ajuste la separación de la bujía a 0.027 in y apriete 1/8 a 1/4 de vuelta adicional.

NOTA: *Una bujía de encendido suelta puede sobrecalentar y dañar el motor. Una bujía de encendido muy apretada puede dañar las roscas de la culata del cilindro.*

Aletas de enfriamiento

Las aletas de enfriamiento, las entradas de aire y uniones deben estar libres de residuos antes de cada uso.

Carburador

Nunca altere la configuración de fábrica del carburador.

Filtro de aire

Nunca arranque el motor sin haber instalado correctamente el purificador de aire. Es posible que se produzca desgaste adicional y fallas en el motor si no se instala el purificador de aire en el motor.

Realice mantenimiento al purificador de aire cada 3 meses o después de 20 horas de funcionamiento. En condiciones muy polvorientas, limpie el filtro a diario.

Para reemplazar o limpiar el filtro de aire, realice lo siguiente:

1. Antes de retirar la cubierta del filtro de aire, mueva la palanca del estrangulador hacia la posición **CHOKE**.
2. Para retirar la cubierta del filtro de aire, apriete las lengüetas de retención en ambos lados de la cubierta. **CONSULTE LA FIGURA 9**
3. Una vez que las lengüetas de retención estén sueltas, gire la cubierta del alejándola del motor para retirar la cubierta del filtro de aire.
4. Retire el elemento de filtro de espuma. Reemplace con un nuevo filtro de espuma lubricado, o lave el filtro de espuma original con agua tibia y jabón suave.

***Escanee este código QR con su teléfono inteligente para obtener consejos y sugerencias útiles para usar su cultivador.**
www.getearthquake.com

Es posible que deba descargar un lector QR Code® de la tienda de aplicaciones de su teléfono inteligente. Se pueden aplicar tarifas de datos.



AVISO

NO GIRE EL FILTRO DE AIRE CUANDO LO LIMPIE; SIEMPRE PRESIÓNALO. GIRARLO O APLICAR DEMASIADA FUERZA PUEDE DAÑAR EL ELEMENTO DE FILTRO.

- Después de la limpieza, lubrique completamente el filtro de espuma con aceite para motor grado 30 o 40 y quite el exceso de aceite antes de volver a instalarlo. Asegúrese de presionar el filtro de espuma en su lugar de manera uniforme sobre la placa de refuerzo del filtro para garantizar que la espuma esté fija en su posición de sellado.
- Vuelva a colocar la cubierta del filtro de aire de modo que encaje completamente en su lugar y que esté asegurada con las lengüetas de retención. Tire levemente de la cubierta para verificar que esté fijada de manera segura. Si la cubierta no se mueve al tirar de ella, está fija.

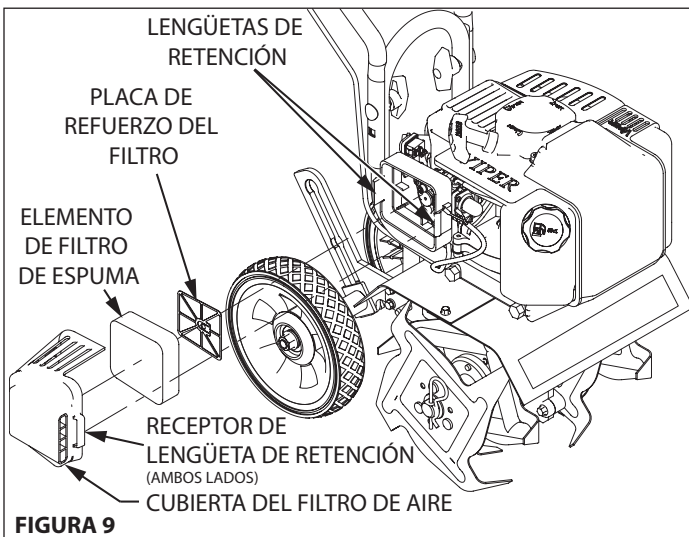


FIGURA 9

⚠ PELIGRO

NO EXTRAIGA EL COMBUSTIBLE CON LA BOCA. LA GASOLINA ES TÓXICA Y PUEDE PROVOCAR LESIONES CORPORALES GRAVES.

NUNCA GUARDE EL CULTIVADOR CON COMBUSTIBLE EN EL TANQUE DE COMBUSTIBLE DENTRO DE UN ESPACIO O UN EDIFICIO CERRADOS. LOS VAPORES DE COMBUSTIBLE SE PUEDEN ACUMULAR Y PROVOCAR UN INCENDIO.

Transporte del cultivador

- Después de usar el cultivador y antes de transportarlo en un camión, atornille firmemente la tapa del depósito de gasolina (hacia la derecha). La tapa del depósito de gasolina no tendrá fugas durante el transporte si está apretada. Nunca transporte el motor en el interior de un espacio cerrado dentro de un vehículo. El combustible o los vapores del combustible pueden inflamarse, lo que puede provocar lesiones graves o la muerte.
- Si hay combustible en el tanque de combustible, transpórtelo en un vehículo abierto y en posición vertical.

- Si se debe usar un vehículo cerrado, saque la gasolina y colóquela en un recipiente rojo aprobado para combustible. NO lo extraiga con la boca.
- Arranque el motor para usar el combustible que queda en el carburador y en el tanque de combustible. Siempre arranque el motor en un área bien ventilada.
- Limpie todo el combustible derramado del motor y del cultivador. Permita que se seque.
- Asegúrese de que la tapa del depósito de gasolina esté cerrada firmemente antes de transportar el cultivador en un vehículo.

Almacenamiento a largo plazo

Si no se usará el cultivador por más de un mes, prepárelo para el almacenamiento a largo plazo.

Pasos para el almacenamiento a largo plazo

- Mezcle una cantidad adecuada de estabilizador de combustible con combustible nuevo en la proporción que se recomienda en el envase del estabilizador. Haga funcionar el motor durante cinco minutos para distribuir la mezcla del estabilizador por todo el sistema de combustible. Esto evitará la acumulación de resina, barniz y corrosión en el sistema de combustible durante el almacenamiento a largo plazo por hasta 12 meses.
- Guarde el cultivador en posición vertical.
- Elimine todos los residuos de los dientes del cultivador y del motor.

SOLUCIÓN DE PROBLEMAS Y REPARACIÓN

En *Earthquake*, incorporamos calidad y durabilidad en el diseño de nuestros productos, sin embargo, nada de nuestro cuidadoso diseño ni el meticuloso mantenimiento de su parte puede garantizar una vida útil de su cultivador *Earthquake* sin reparaciones. La mayoría de las reparaciones son menores y fáciles de realizar si se siguen las sugerencias que se indican en la guía de solución de problemas de esta sección.

Esta guía le ayudará a localizar las causas de problemas comunes y a identificar soluciones.

Para reparaciones más complicadas, tal vez quiera confiar en un centro de servicio autorizado o en *Earthquake*. *Earthquake* efectuará las reparaciones necesarias si no hay un centro de servicio disponible. Hacia el final de este manual se encuentra una lista detallada de las piezas.

Siempre estaremos encantados de responder cualquier pregunta que tenga o de ayudarlo a encontrar la ayuda apropiada.

Solicitud de piezas de repuesto

Se pueden obtener piezas de un centro de servicio autorizado o directamente desde la fábrica. Para solicitar piezas visite www.getearthquake.com o llame al 1-800-345-6007.

Para otras preguntas generales, puede enviarnos un correo electrónico a: info@getearthquake.com.

Incluya la siguiente información con la solicitud:

- 1) Números de las piezas
- 2) Descripción de las piezas
- 3) Cantidad
- 4) Número de modelo y de serie

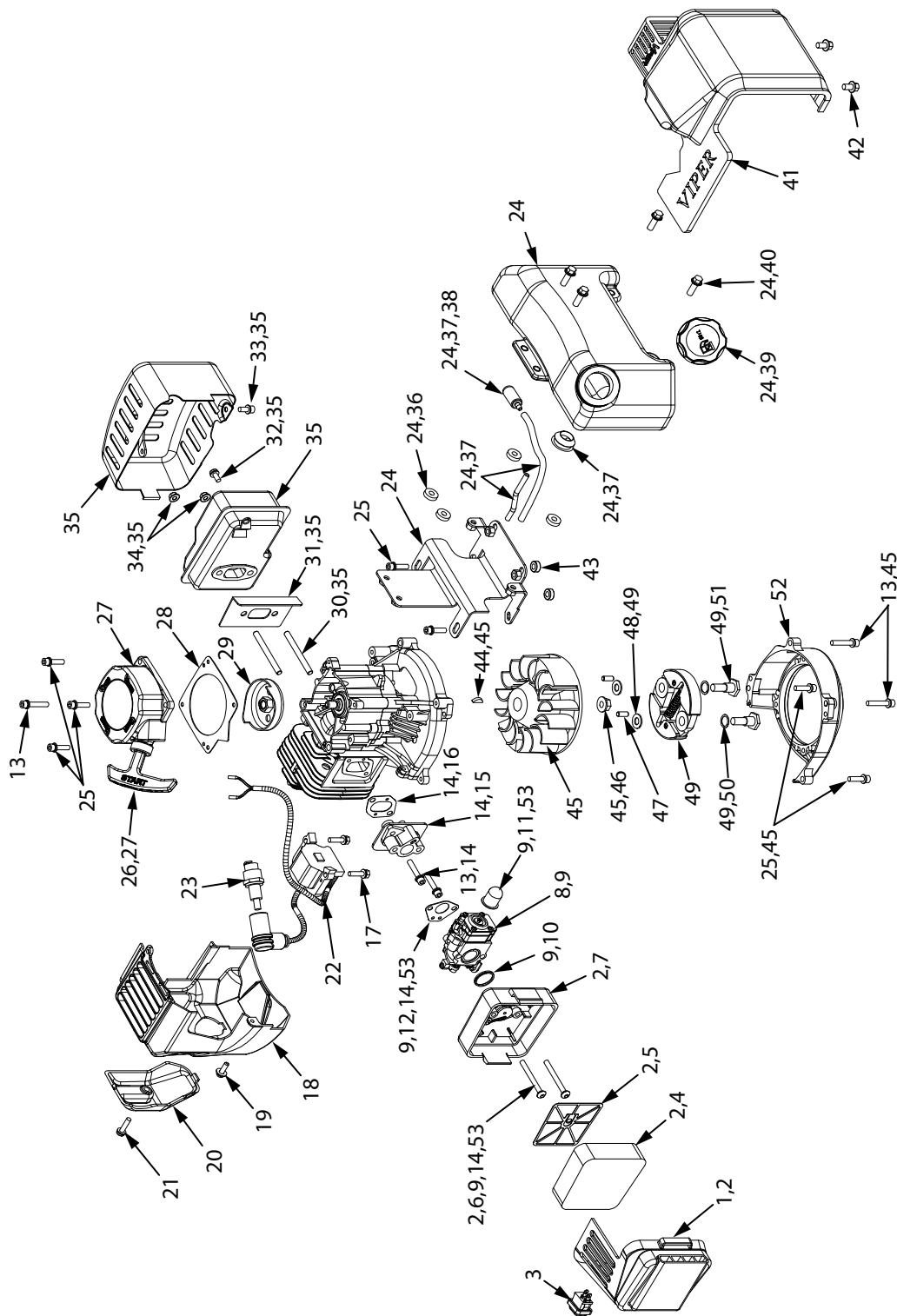
Repuestos

Solo use piezas de servicio aprobadas por *Earthquake*.

GUÍA DE SOLUCIÓN DE PROBLEMAS

PROBLEMA	CAUSA POSIBLE	SOLUCIÓN O ACCIÓN
El motor no arranca	1. El interruptor de encendido está apagado	1. Gire el interruptor hasta la posición ON
	2. El cable de la bujía de encendido está desconectado	2. Conecte el cable de la bujía de encendido a la bujía
	3. No hay combustible	3. Recargue combustible
	4. La bujía de encendido está húmeda, defectuosa o separada de manera incorrecta	4. Limpie, reemplace o separe la bujía de encendido
	5. La manguera de la tubería de combustible no está ubicada en la parte inferior del tanque de gasolina	5. Sumerja la tubería en el combustible del tanque de gasolina
El motor funciona de manera desigual y se ahoga durante el funcionamiento	1. Filtro de aire sucio	1. Limpie o reemplace el filtro de aire
	2. El estrangulador está parcialmente enganchado	2. Mueva la palanca del estrangulador a la posición RUN (Arranar)
	3. El carburador no está ajustado	3. Llame a servicio al cliente
Es motor arranca con dificultad	1. El combustible está en mal estado	1. Vacíe el combustible antiguo y reemplácelo con combustible fresco. Use estabilizador de combustible al final de la temporada o durante el almacenamiento a largo plazo
	2. El cable de la bujía de encendido está suelto	2. Asegúrese de que el cable de bujía esté fijado firmemente a la bujía de encendido
	3. El carburador está sucio	3. Limpie el carburador, use estabilizador de combustible, una nueva lata de gasolina
	4. El combustible no se cebó lo suficiente	4. Ceba la unidad 3 veces más, luego tire del mango de retroceso
El motor pierde o no tiene potencia	1. El filtro de combustible está obstruido	1. Limpie el tanque de combustible, reemplace el filtro de combustible
	2. El filtro de aire está obstruido	2. Limpie o reemplace el filtro de aire
	3. El carburador no está ajustado o está defectuoso	3. Llame a servicio al cliente
	4. La bujía de encendido está húmeda, defectuosa o separada de manera incorrecta	4. Limpie, reemplace o separe la bujía de encendido
El motor arranca y luego se detiene	1. La tapa del depósito de gasolina no está ventilando	1. Limpie o reemplace la tapa del depósito de gasolina, revise la ventilación
	2. El filtro de combustible está conectado	2. Limpie o reemplace el filtro de combustible
	3. El carburador no está ajustado o está defectuoso	3. Llame a servicio al cliente
Las revoluciones del motor son demasiado altas	1. El carburador no está ajustado	1. Llame a servicio al cliente
Los dientes giran al ralentí	1. La velocidad de ralentí es demasiado alta	1. Disminuya la velocidad de ralentí
	2. El resorte de embrague está roto	2. Reemplace el embrague

LISTA DETALLADA ILUSTRADA DE PIEZAS: Conjunto de motor

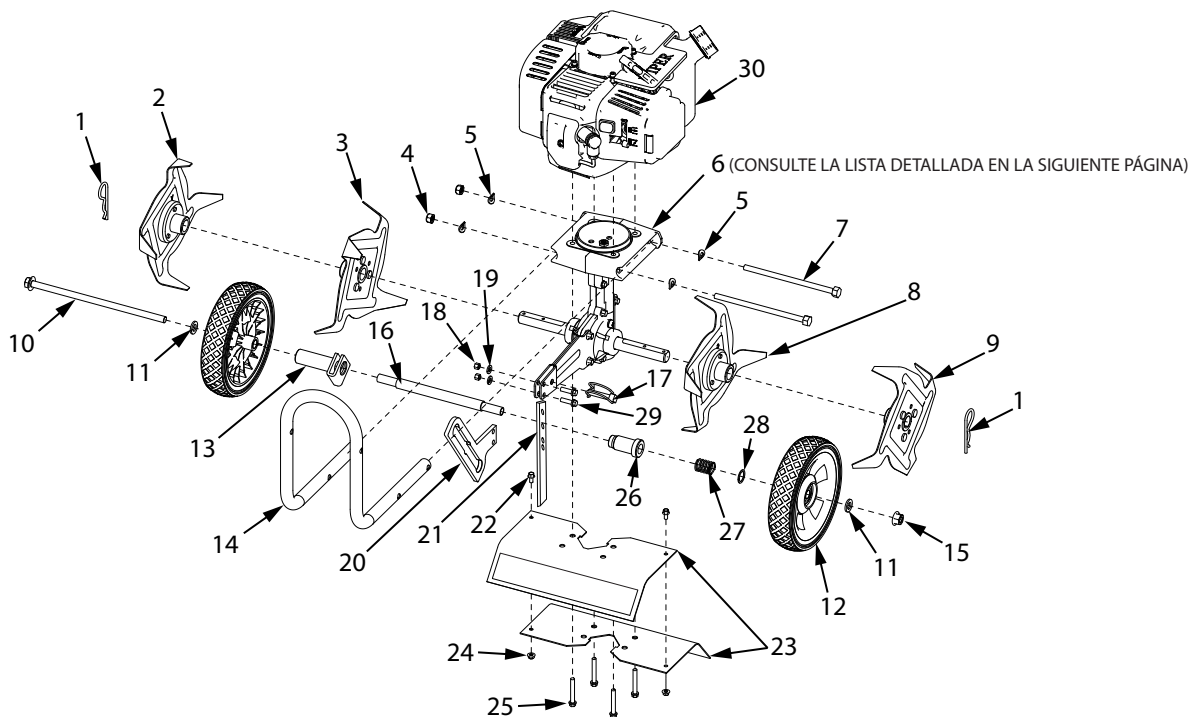


LISTA DETALLADA ILUSTRADA DE PIEZAS: Conjunto de motor

N.º DE ELEMENTO	N.º DE PIEZA	DESCRIPCIÓN	CANT.
1	3004158	CUBIERTA DEL FILTRO DE AIRE	1
2	15230	KIT DE CONJUNTO DE FILTRO DE AIRE	1
3	1021	INTERRUPTOR BASCULANTE	1
4	3004156	ELEMENTO DE ESPUMA DEL BLOQUE DE FILTRO DE AIRE	1
5	3004157	ESTRUCTURA DE REFUERZO DEL FILTRO DE AIRE	1
6	15209	PERNO M5 X 52 CON ARANDELA	2
7	3004150	CONJUNTO DE BASE DEL FILTRO DE AIRE	1
8	15261	CARBURADOR 43 CC A PRUEBA DE ALTERACIONES	1
9	11334	KIT DE REEMPLAZO DE CARBURADOR	1
10	300481	JUNTA TÓRICA DEL CARBURADOR	1
11	3004109	BULBO DEL CEBADOR DEL CARBURADOR	1
12	300479	JUNTA DEL CARBURADOR	1
13	17952	PERNO M5 X 28 CON ARANDELA	5
14	11205	KIT DE MÚLTIPLE DE ENTRADA	1
15	300478	ENTRADA DEL TUBO DE VIENTO	1
16	300476	ENTRADA DE LA JUNTA	1
17	300335	PERNO M5 X 20 DE CABEZA HEXAGONAL CON ARANDELA	2
18	300482	RECUBRIMIENTO DEL MOTOR ROJO	1
19	10887	PERNO M5 X 16 DE CABEZA SEMIESFÉRICA CON ARANDELA	1
20	300483	TAPA DEL EXTREMO DEL RECUBRIMIENTO DEL MOTOR NEGRA	1
21	300439	PERNO M5 X 20 DE CABEZA SEMIESFÉRICA CON ARANDELA	1
22	26579	BOBINA DE ENCENDIDO	1
23	35906	BUJÍA DE ENCENDIDO L7RTC TORCH	1
24	10683	KIT DE TANQUE DE GASOLINA	1
25	17946	PERNO M5 X 20 CON ARANDELA	7
26	3004121	MANGO DE RETROCESO	1
27	300430	CONJUNTO DE RETROCESO	1

N.º DE ELEMENTO	N.º DE PIEZA	DESCRIPCIÓN	CANT.
28	300429	PLACA SEPARADORA DE RETROCESO	1
29	300491	COPA DEL EMBRAGUE DE RETROCESO	1
30	300493	PRISIONERO M6 X 62	2
31	300475	JUNTA DE LA PROTECCIÓN CONTRA EL CALOR DEL SILENCIADOR	1
32	300471	PERNO M5 X 12 CON ARANDELA	1
33	17888	PERNO M5 X 12 DE CABEZA HUECA CON ARANDELA	1
34	300492	TUERCA M6 X 1 CON BRIDA HEXAGONAL	2
35	25977	KIT DE SILENCIADOR DE EXPULSIÓN RECTA DPS30	1
36	11190	SEPARADOR M5 X 4 NYLON	4
37	3004105	KIT DE TUBERÍA DE COMBUSTIBLE, OJAL DE DOS ORIFICIOS	1
38	3004103	FILTRO DE COMBUSTIBLE	1
39	11936	TAPA DEL DEPÓSITO DE GASOLINA CON VENTILACIÓN AUTOMÁTICA DE DOS VÍAS	1
40	4647	PERNO M6 X 18 CON BRIDA HEXAGONAL	4
41	300332	RECUBRIMIENTO DEL TANQUE DE GASOLINA NEGRO	1
42	300336	PERNO M6 X 10 CON BRIDA HEXAGONAL	2
43	11189	SEPARADOR M5 X 5	2
44	300338	CHAVETA DE MEDIA LUNA 3 X 5 X 12	1
45	11209	KIT DE VOLANTE	1
46	300337	TUERCA M8 X 1.25 CON BRIDA HEXAGONAL	1
47	300467	PASADOR GUÍA 5 X 12	2
48	300462	ARANDELA 15.8 X 8.4 X 1.6	2
49	11235	KIT DE EMBRAGUE	1
50	300449	ARANDELA ONDULADA 10 X 15 X 0.25	2
51	300450	PERNO M8 X 25 REBORDE 10	2
52	300487	RECUBRIMIENTO DEL VOLANTE	1
53	3004114	KIT DE REPARACIÓN DEL CARBURADOR	1

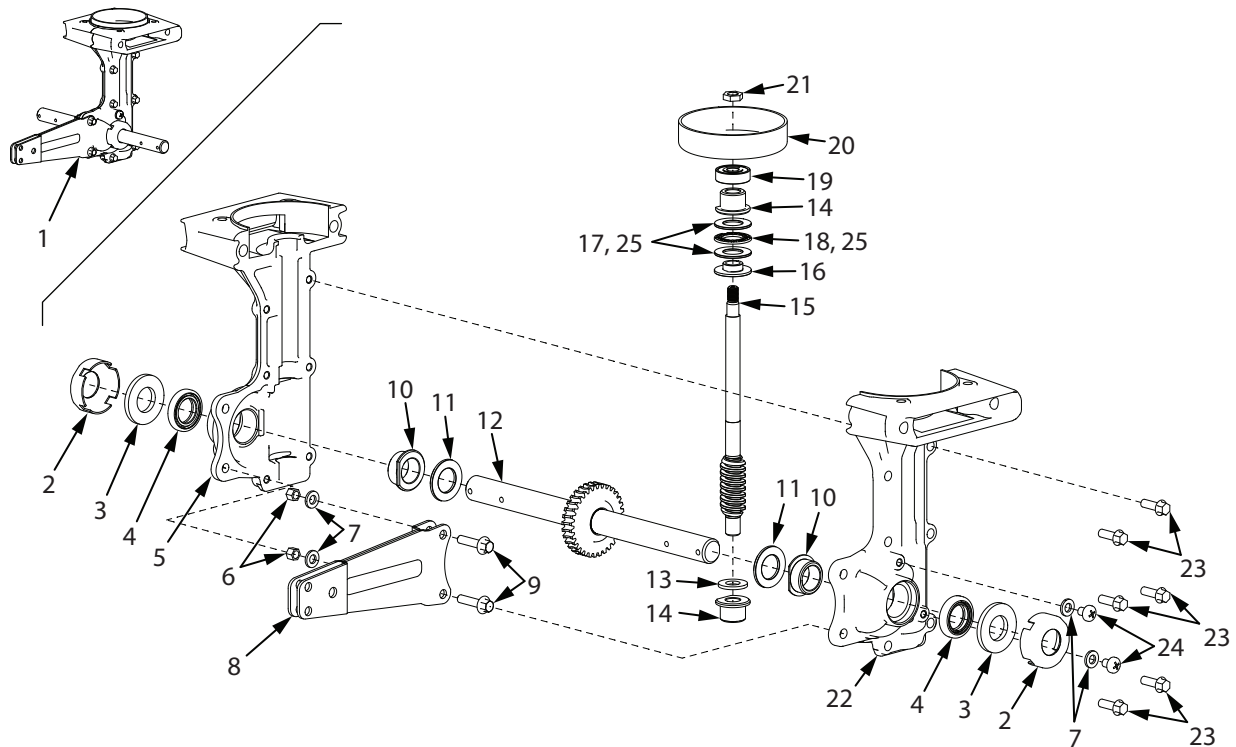
LISTA DETALLADA ILUSTRADA DE PIEZAS: Desglose de piezas de la tapa y los dientes



N.º DE ELEMENTO	N.º DE PIEZA	DESCRIPCIÓN	CANT.
1	4652	PASADOR DE HORQUILLA, 5/8-3/4 N CHAVETA	2
2	4601	DIENTE "A", EXTERIOR DERECHO	1
3	4603	DIENTE "B", INTERIOR DERECHO	1
4	400023	TUERCA M8 NYLOCK	2
5	4641	ARANDELA M8 CURVA	4
6	26013	CONJUNTO DE TRANSMISIÓN	1
7	46141	PERNO M8 X 1.25 X 155 CON BRIDA HEXAGONAL	2
8	4602	DIENTE "C", INTERIOR IZQUIERDO	1
9	4604	DIENTE "D", EXTERIOR IZQUIERDO	1
10	4687	PERNO M10 X 1.5 X 231 CON BRIDA HEXAGONAL	1
11	2431	ARANDELA M10 PLANA Y ANGOSTA	2
12	13189	RUEDA DE 180 X 38 MM, HUELLA DE DIAMANTE, CENTRO GRIS	2
13	4678	TUBO DE GUÍA DE LA RUEDA	1
14	15104	MANILLAR INFERIOR	1
15	4629	TUERCA M10 X 1.5 HEXAGONAL, CON BLOQUEO CENTRAL	1

N.º DE ELEMENTO	N.º DE PIEZA	DESCRIPCIÓN	CANT.
16	4674	TUBO DE LA RUEDA	1
17	18039	PASADOR DE BLOQUEO 8 MM X 40 MM	1
18	4650	TUERCA M6 NYLOCK	2
19	W1200117	ARANDELA M6 X 13 X 1.75 PLANA	2
20	4673	SOPORTE DE LA RUEDA	1
21	4600	ESPOLÓN DE ARRASTRE	1
22	176	PERNO M5 X 0.8 X 10 CON BRIDA HEXAGONAL	2
23	23441	PROTECCIÓN DE LOS DIENTES	2
24	400020	TUERCA M5 X 0.8 CON BRIDA DE NYLOCK	2
25	4625	PERNO M6 X 1.0 X 42 CON BRIDA HEXAGONAL	4
26	4684	TUBO DE BLOQUEO DE LA RUEDA	1
27	4685	RESORTE DE BLOQUEO DE LA RUEDA	1
28	13230	ARANDELA 21 X 16 X 1 MM	1
29	46142	PERNO M6 X 1.0 X 15 CON BRIDA HEXAGONAL	2
30	23433	MOTOR VIPER MC43	1

LISTA DETALLADA ILUSTRADA DE PIEZAS: Desglose de piezas de transmisión

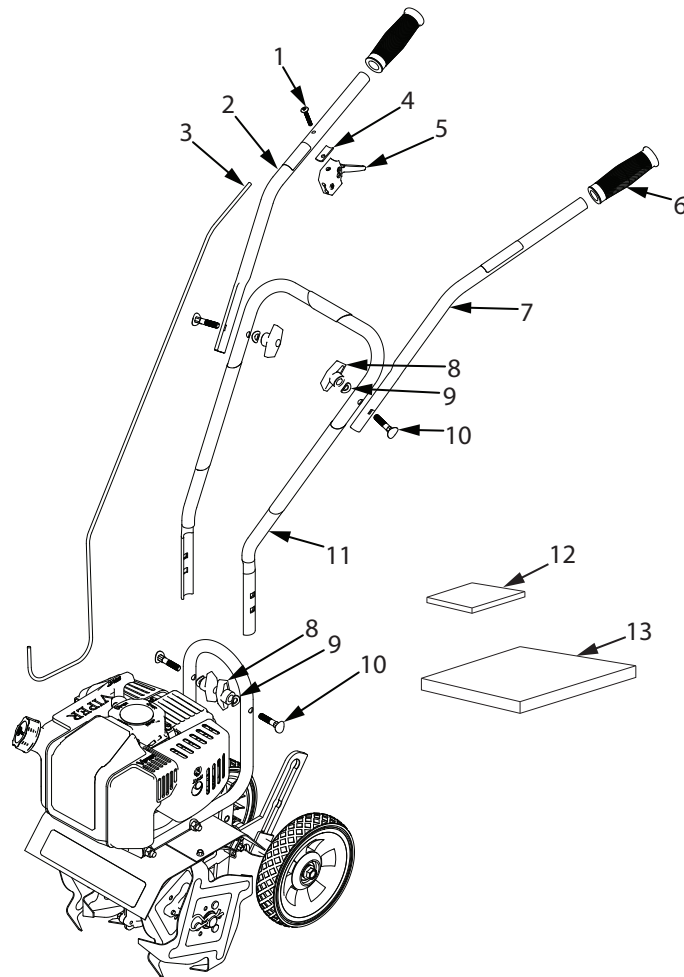


N.º DE ELEMENTO	N.º DE PIEZA	DESCRIPCIÓN	CANT.
1	26013	CONJUNTO DE TRANSMISIÓN	1
2	46144	TAPA GUARDAPOLVO	2
3	4606	ARANDELA DE FIBRA	2
4	4646	SELLO DEL EJE DE LOS DIENTES	2
5*	---	PIEZA FUNDIDA DE LA TRANSMISIÓN, IZQUIERDA	1
6	4650	TUERCA M6 NYLOCK	2
7	W1200117	ARANDELA M6 X 12 X 1 MM	4
8	4633	MONTAJE DE RUEDA Y ESPOLÓN DE ARRASTRE	1
9	13600	PERNO M6 X 1.0 X 25 CON BRIDA HEXAGONAL	2
10	25159	CASQUILLO DEL EJE DE LOS DIENTES DE ACERO	2
11	4610	CUÑA DEL EJE DE LOS DIENTES	2
12	4651	CONJ. DE ENGRANAJE Y EJE DE LOS DIENTES	1
13	4616	SEPARADOR DEL CASQUILLO	1
14	4614	CASQUILLO DEL EJE DE TRANSMISIÓN DE BRONCE	2

N.º DE ELEMENTO	N.º DE PIEZA	DESCRIPCIÓN	CANT.
15	21953	EJE DE TRANSMISIÓN	1
16	4617	REDUCTOR DEL COJINETE DE EMPUJE	1
17	4618	ARANDELA DE EMPUJE	2
18	4619	ARMAZÓN DEL COJINETE DE EMPUJE	1
19	4623	COJINETE DE BOLAS 9 X 26 X 8 MM	1
20	300414	TAMBOR DEL EMBRAGUE	1
21	4620	CONTRATUERCA M8	1
22*	---	PIEZA FUNDIDA DE LA TRANSMISIÓN, DERECHA	1
23	4647	PERNO M6 X 1.0 X 18 CON BRIDA HEXAGONAL	6
24	13447	PERNO M6 X 1.0 X 8 PHILLIPS	2
25	4615	KIT DE JUEGO DE COJINETE DE EMPUJE	1

* COMPRE EL CONJUNTO DE TRANSMISIÓN 26013

LISTA DETALLADA ILUSTRADA DE PIEZAS: Desglose de piezas del manillar



N.º DE ELEMENTO	N.º DE PIEZA	DESCRIPCIÓN	CANT.
1	4814	PERNO 10-24 X 1-1/4 PHILLIPS	1
2	23442	MANILLAR SUPERIOR DERECHO	1
3	14645	CABLE DEL ACELERADOR	1
4	12633	ALMOHADILLA DE GOMA	1
5	4809	CONJUNTO DE GATILLO DE TIRO CORTO	1
6	4639	AGARRE DEL MANILLAR	2
7	23443	MANILLAR SUPERIOR IZQUIERDO	1
8	4640	TUERCA DE LA MANILLA ENT	4
9	4641	ARANDELA CURVA	4
10	4642	PERNO DE APOYO	4
11	4693	MANILLAR CENTRAL	1
12	12621	PAQUETE DE PIEZAS DEL MANILLAR	1
13	23434	BOLSA DE PIEZAS MANUALES	1

INSTALACIÓN DEL KIT DE BORDEADORA 15073 (ACCESORIO OPCIONAL)

El kit de bordeadora es una herramienta útil para hacer cortes limpios en el césped por los bordes de los jardines, lechos de flores, pasarelas y caminos para obtener una apariencia estilizada. Para instalar el kit de bordeadora, realice lo siguiente:

INSTALACIÓN

1. Para asegurarse de que el cultivador esté detenido, coloque el interruptor ON/OFF en la posición **OFF**.
2. Retire los pasadores de horquilla de ambos extremos del eje de los dientes.
3. Retire los dientes de cultivo del eje.
4. Retire el espolón de arrastre y el pasador de bloqueo de la unidad.
5. Almacene los dientes y guarde los (2) pasadores de horquilla; los usará en el kit de bordeadora.
6. Deslice los dientes de la bordeadora en cada extremo del eje de los dientes. Asegúrese de que el collarín del buje de la bordeadora esté orientado hacia afuera, alejado de la transmisión del cultivador. **CONSULTE LA FIGURA 10**
7. Tome los (2) pasadores de horquilla que guardó en el Paso 4 e insértelos a través de los orificios interiores y exteriores del eje de los dientes en cada extremo de los dientes de la bordeadora para fijar las cuchillas de los dientes en su lugar sobre el eje. **CONSULTE LA FIGURA 10**
8. Deslice la rueda de la bordeadora hacia el lado opuesto del eje de los dientes tanto como sea posible.
9. Inserte el pasador de horquilla (1) restante, que viene con el kit, a través del orificio interior para fijar la rueda. **CONSULTE LA FIGURA 10**
10. Ajuste las ruedas del cultivador en la posición **MÁS ALTA** (arriba). **CONSULTE LA FIGURA 5 (PÁGINA 56)**

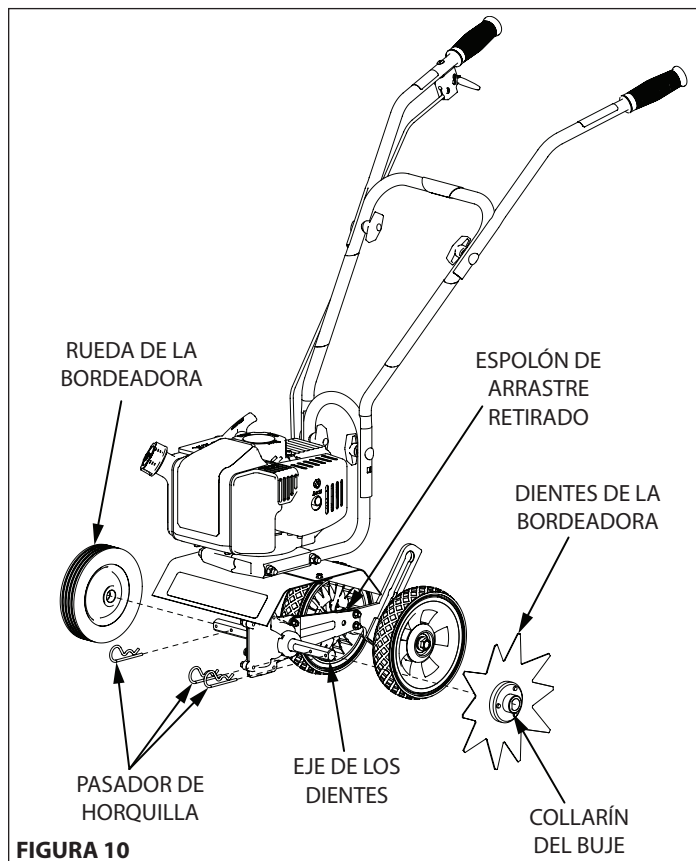


FIGURA 10

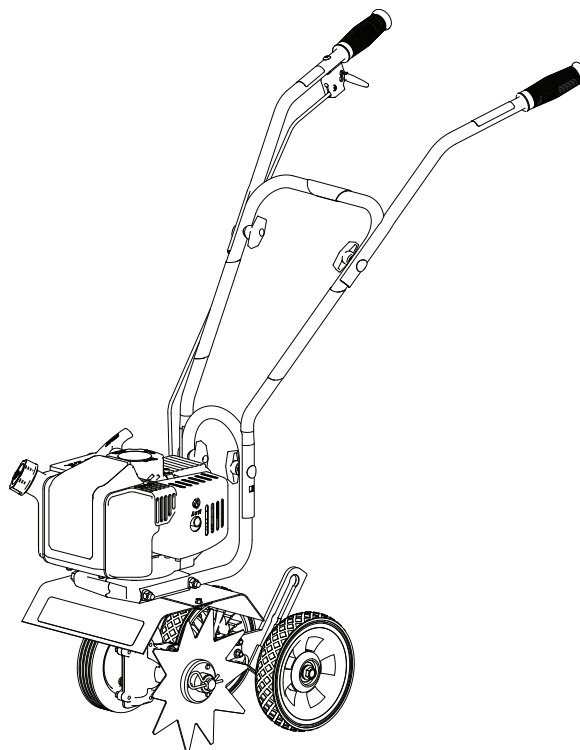
Lista detallada de piezas

N.º DE ELEMENTO	N.º DE PIEZA	DESCRIPCIÓN	CANT.
1	15009	DIENTES DE LA BORDEADORA	1
2	46131	RUEDA DE LA BORDEADORA	1
3	46134	PASADOR DE HORQUILLA	1



PRECAUCIÓN

TENGA EN CUENTA QUE EL CULTIVADOR SE PUEDE BALANCEAR HACIA ADELANTE DE MANERA INESPERADA, O MOVER HACIA ADELANTE SI LOS DIENTES GOLPEAN EL HORMIGÓN, EL PAVIMENTO U OTRA SUPERFICIE DURA, ASÍ COMO OBSTÁCULOS DUROS ENTERRADOS.

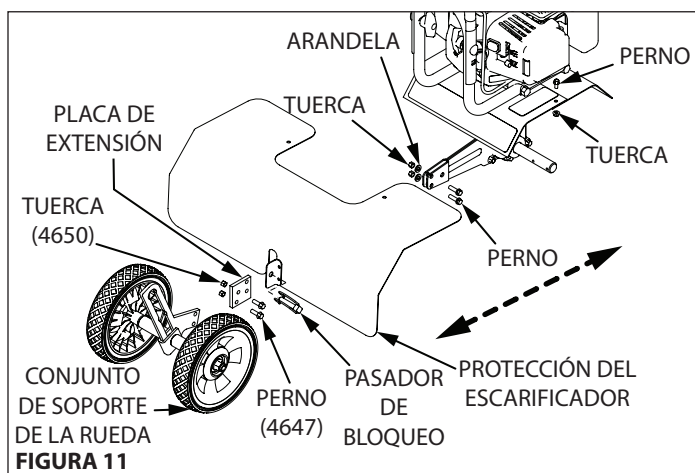


INSTALACIÓN DEL KIT DE ESCARIFICADOR DK43 (ACCESORIO OPCIONAL)

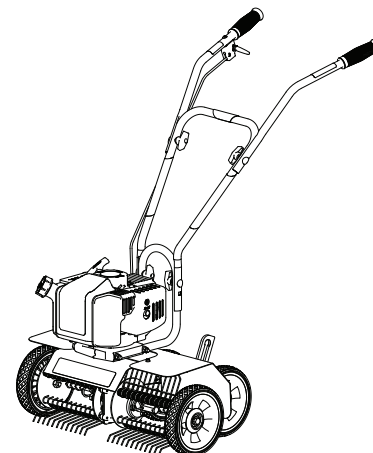
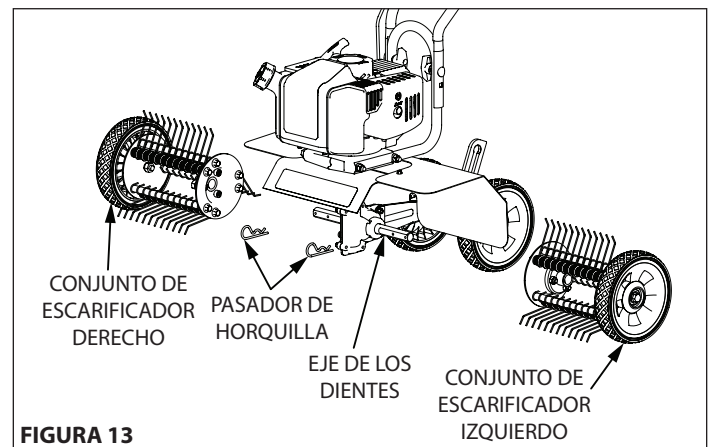
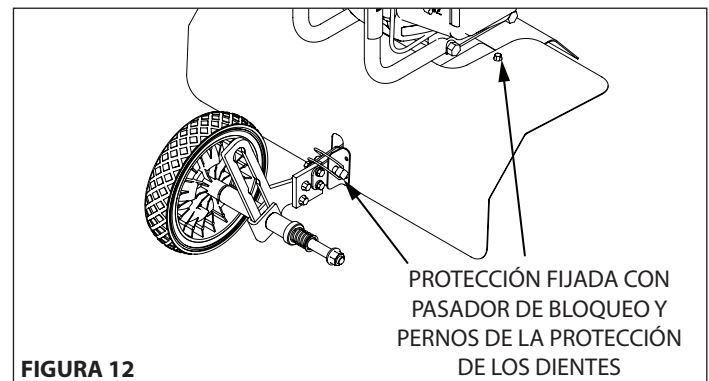
El kit de escarificador es muy efectivo para levantar las capas de paja demasiado apelmazadas que pueden evitar que la humedad, el oxígeno y los nutrientes penetren el suelo y se puedan albergar enfermedades e insectos. Úselo en primavera, verano y otoño para devolverle la vida y el color a su césped.

1. Gire el interruptor ON/OFF a la posición **OFF**. Retire los dientes de cultivo u otras herramientas de trabajo y el espolón de arrastre.
2. Destornille los pernos y tuercas de montaje que conectan el soporte de la rueda al espolón de arrastre y deje el soporte de la rueda a un lado. **CONSULTE LA FIGURA 11**
3. Deslice la protección del escarificador sobre la protección de los dientes de la unidad desde la parte posterior de la unidad y fíjela con pernos y tuercas. **CONSULTE LAS FIGURAS 11 Y 12**
4. Fije la parte inferior de la protección del escarificador al montaje del espolón de arrastre con el pasador de bloqueo. **CONSULTE LAS FIGURAS 11 Y 12**
5. Instale la placa de extensión de la rueda (4676) con los pernos (46142) y tuercas (4650) adicionales. Asegúrese de que la extensión de la rueda esté orientada en la dirección correcta. (El lado, con los dos orificios hacia el borde, se conecta al montaje del espolón de arrastre). **CONSULTE LA FIGURA 11**
 - a. Instale la extensión de la rueda en el montaje del espolón de arrastre con los pernos y tuercas de montaje de la unidad.
 - b. Instale el soporte de la rueda en la extensión de la rueda con los pernos y tuercas que se incluyen en el kit de escarificador.
6. Deslice los conjuntos izquierdo y derecho del escarificador en el eje de los dientes, asegurándose de que el conjunto derecho esté instalado en el lado derecho y de que el conjunto izquierdo esté instalado en el lado izquierdo, según lo defina la posición de usuario. **CONSULTE LA FIGURA 13**
7. Fije los conjuntos de escarificador con los dos pasadores de horquilla (46134) del kit de escarificador a través de los orificios interiores del eje de los dientes. **CONSULTE LA FIGURA 13**

NOTA: *NO se debe usar el espolón de arrastre cuando se usa el kit de escarificador.*



N.º DE ELEMENTO	N.º DE PIEZA	DESCRIPCIÓN	CANT.
1	46134	PASADOR DE HORQUILLA	2
2	4647	PERNO M6 X 1.0 X 18 CON BRIDA HEXAGONAL	2
3	4650	TUERCA M6 NYLOCK	2
4	4676	PLACA DE EXTENSIÓN DEL ESCARIFICADOR	1
5	4707	CONJUNTO DE ESCARIFICADOR IZQUIERDO	1
6	4708	CONJUNTO DE ESCARIFICADOR DERECHO	1
7	4710	PROTECCIÓN DEL ESCARIFICADOR	1





TÉRMINOS Y CONDICIONES DE LA GARANTÍA

Ardisam, Inc. (Ardisam) garantiza que este cultivador, conforme a una garantía limitada de cinco años, no presentará defectos en materiales o mano de obra durante un período que no excederá sesenta meses consecutivos desde la fecha de compra original del primer cliente minorista o el primer usuario final comercial. Esta garantía no se aplica al motor montado en el producto. "Uso del cliente" significa uso recreativo personal por parte de un cliente minorista. "Uso comercial" o "aplicación comercial" significan todos los otros usos, entre ellos, para fines comerciales, producción de ingresos o arriendo. Una vez que el producto ha experimentado uso comercial, será considerado de ahí en adelante como un producto de uso comercial para fines de esta garantía. Esta garantía se aplica al dueño original que proporcione un comprobante de compra. Esta garantía no es transferible. El período de garantía comienza en la fecha de compra del primer cliente minorista o usuario comercial final, y continúa durante el período de sesenta meses consecutivos de ahí en adelante. Toda unidad que se use en una aplicación comercial está cubierta por un período de 90 días después de la compra realizada por el primer usuario comercial final. Para que la garantía sea válida, se debe registrar en línea este producto dentro de 30 días de la compra, o bien, se debe completar la tarjeta de garantía y Ardisam la puede recibir, dentro de 30 días desde la compra. Ardisam no estará obligado a pagar los cargos de transporte que sean resultado de la reparación o el reemplazo conforme a los términos de esta garantía. Los cargos por transporte son responsabilidad únicamente del comprador.

Esta garantía excluye los dientes debido al desgaste normal, elementos de desgaste, como ruedas, agarres y cables, elementos de mantenimiento de rutina, como elementos de filtro, juntas tóricas, sellos, lubricantes y ajustes, piezas giratorias, accesorios, como aporcadores-surcadores, kit de bordeadora y kit de escarificador, hacer funcionar el cultivador solo con gasolina o con una proporción de combustible a aceite que no sea 50:1. El uso negligente, como el uso del cultivador para otro fin que no sea para el que se diseñó y fabricó, el uso continuado del cultivador después de un cambio repentino en la vibración, el uso del cultivador infringiendo los códigos locales, las ordenanzas y las buenas prácticas comerciales locales, anulará esta garantía. *Estas garantías solo se aplican a los productos que no se han sometido a un uso negligente, abuso o uso inadecuado, sobrecarga, instalación incorrecta, alteración, accidente, casos fortuitos, (u otros eventos más allá del control de Ardisam), rayos, vandalismo, piezas no autorizadas, o si las reparaciones se realizaron en un centro de servicio no autorizado. Estas garantías no cubrirán los daños derivados del desgaste y deterioro natural, servicios y piezas de mantenimiento normales; como tampoco por instalación, operación, almacenamiento o mantenimiento incorrectos, ni la operación del equipo sobre los límites máximos recomendados, según se indica en este manual y el manual del motor adjunto.

Esta garantía limitada exclusivamente a los defectos en materiales o mano de obra. No existen otras garantías expresas. Las garantías implícitas, entre ellas la de comerciabilidad e idoneidad para un propósito en particular, se limitan a un año desde la compra o en la medida que lo permita la ley. Se excluyen todas las demás garantías implícitas. Se excluye la responsabilidad por daños incidentales o emergentes en la medida que la ley permita dicha exclusión. Ardisam no asume, ni autoriza a ninguna otra persona a asumir por Ardisam, ninguna responsabilidad vinculada con la venta de sus productos. **Para ser "Gratuito", el trabajo de garantía se debe enviar directamente a Ardisam y debe ser realizado por esta o un centro de servicio de garantía autorizado de Ardisam.** Para obtener servicio de garantía o instrucciones de reemplazo, comuníquese con el Departamento de Servicio al Cliente de Ardisam al 800-345-6007. Si decide enviar el producto a Ardisam para reparaciones de garantía, debe contar primero con aprobación previa de Ardisam; para esto, llame al Departamento de Servicio al Cliente de Ardisam para solicitar un número de autorización de devolución de material (RMA#). En estas circunstancias, todos los elementos se deben enviar pagados previamente. Ardisam, a su discreción y sin cargo, reparará o reemplazará las piezas defectuosas a las que corresponda la garantía. Ardisam se reserva el derecho a cambiar modelos, especificaciones y precios sin previo aviso. Ardisam no estará obligado a enviar cualquier producto de reparación ni de repuesto a lugares fuera de los Estados Unidos de América o Canadá. Algunos estados o países no permiten las limitaciones en cuanto a la duración de una garantía implícita, o la exclusión o limitación de daños incidentales o indirectos, de modo que es posible que la limitación anterior no se aplique en su caso. Esta garantía le otorga derechos legales específicos y puede que además tenga otros derechos que varían entre los estados y países.



Earthquake[®], Division of Ardisam, Inc.
1160 8th Avenue, PO Box 666
Cumberland, WI 54829
800-345-6007 | Fax 715-822-2223
E-mail/Courriel/Correo electrónico:
info@getearthquake.com

All weights, specifications and features are approximate and are subject to change without notice. Due to continuous product improvements, product images may not be exact. Items used for props not included. Some assembly may be required.
Tous les poids, spécifications et caractéristiques indiqués sont approximatifs et sujets à modification sans préavis. En raison des constantes améliorations de nos produits, les représentations du produit peuvent être inexactes. Les accessoires représentés ne sont pas compris. Un certain assemblage peut être requis.
Todos los pesos, especificaciones y características son aproximados y están sujetos a cambios sin previo aviso. Debido a las constantes mejoras en los productos, las imágenes de estos podrían no ser exactas. Los elementos que se usan como accesorios no vienen incluidos. Es posible que se requiera montar algunas piezas.

Check for parts online at www.getearthquake.com or call 800-345-6007 M-F 8-5