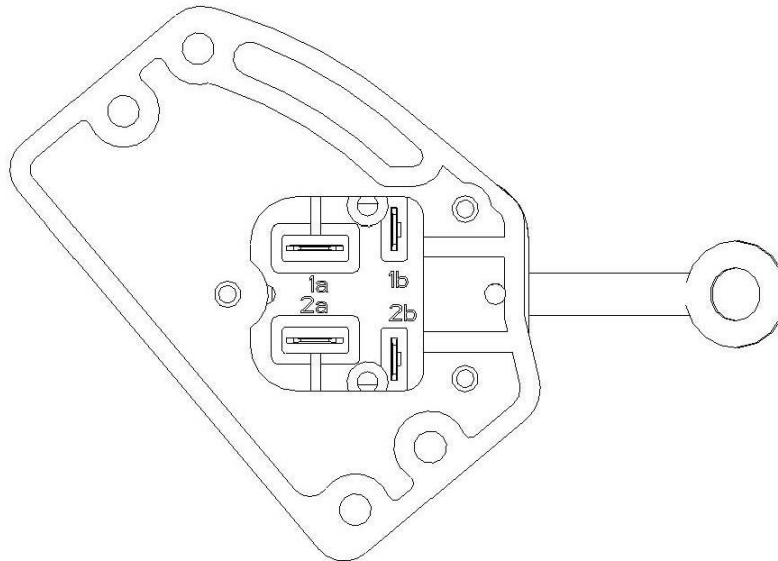


- 1) Unplug pump from electrical outlet.
- 2) Carefully remove the float rod from the pedestal switch making note of the placement of your rubber stoppers and guide clamp.
- 3) Do not remove green ground wire; disconnect all other wires from switch.

**IMPORTANT:** Make note of which wires are from the power supply wires (power cord) and the pump motor wires. This is important during the installation of the new switch. Generally, the power cord wires will be black and white, but the motor wire colors will vary by pump manufacturer. If you cannot tell which wires are power cord and which wires are motor, you should be able to remove the top of the motor housing for a better view.

- 4) Attach the power supply wires (power cord) to posts **1a** and **2a** shown in drawing.
- 5) Attach the motor wires to posts **1b** and **2b** shown in drawing.
- 6) Reattach the switch to the motor, making sure all cords are put back into the motor housing before tightening the screws.
- 7) Reinstall float rod.
- 8) Reconnect power cord and move float rod up and down to make certain you have the desirable start/stop settings for your pump. Adjust the rubber stoppers if the pump is not turning on and off at the correct times.

1a = Power supply (wires from power cord)	1b = Motor Wire
2a = Power Supply (wire from power cord)	2b = Motor Wire



**For additional installation questions, please contact our customer service team at 1-800-346-7611, or email us at [sales@watersourceusa.com](mailto:sales@watersourceusa.com).**