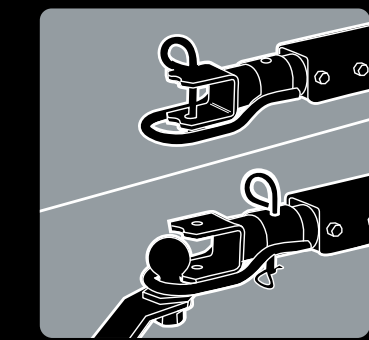




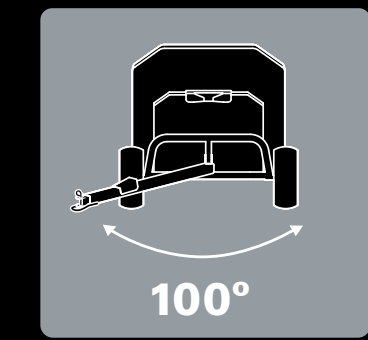
# LAWN TRACTOR / ATV / UTV HYBRID POLY SWIVEL DUMP CART

**15** cu heaped  
ft capacity

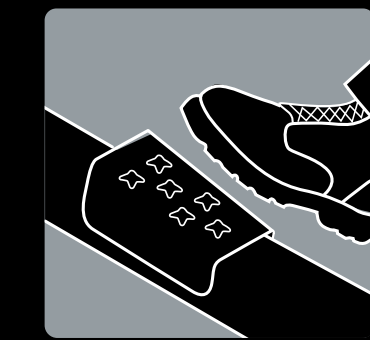
**1250** lb load  
capacity



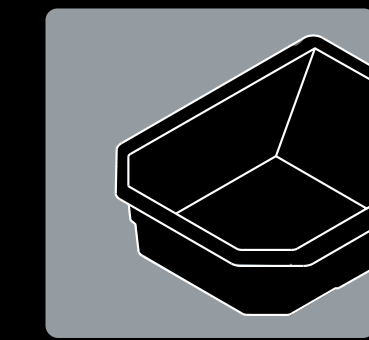
ALL-IN-ONE PIN  
AND BALL HITCH



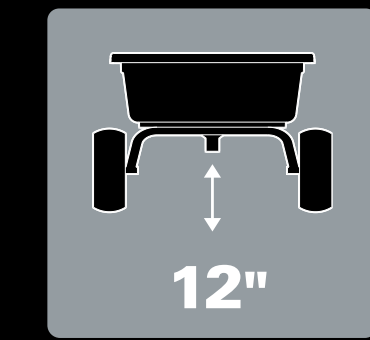
PATENTED  
SWIVEL DUMP  
100°



FOOT PEDAL  
DUMP RELEASE



PREMIUM STRUCTURAL  
FOAM POLY BED



EXTRA GROUND  
CLEARANCE FOR  
UNEVEN TERRAIN  
12"

## YARDWORK SHOULDN'T BE HARD WORK.™

**OHIO**STEEL

Proudly designed and  
tested in Columbus, Ohio.



Model No. 4048P-HYB

15 cu ft Hybrid ATV  
L&G Poly Cart

U.S. Patent No. 8,496,298  
U.S. Patent No. 9,242,588

