



SOLON, OHIO

# 78096 UNIVERSAL 4- FLAT MOUNTING BRACKET INSTALLATION INSTRUCTIONS

Please read all instructions carefully before assembly, installation and /or use of this product.

**WARNING:** DO NOT DRILL INTO THE RECEIVER'S CROSS TUBE, USE PLASTIC CABLE TIES INCLUDED OR EQUIVALENT.

## Assembly instructions: (refer to Fig.2 and Fig.3)

### STEP 1

- Locate the vehicle's trailer wiring harness with 4-way flat receptacle "F".
- Install Dust Cover (if equipped, sold separately) over the connector body as shown on picture.

### STEP 2

- Position part "F" into the top portion of Upper Housing "A" such that the wires are separated as shown. Check to see that connector body is fully inserted.

### STEP 3

- Position and lock Bottom Housing "B" into the place. Make sure that connector "F" is positioned properly and housing's locking tabs are fully engaged.

### STEP 4

- Insert two screws provided and secure two housings using phillips screwdriver # 2.
- Adjust set screw "D" if connector body is still loose inside the housing. Do not over tighten the set screw.

### STEP 5

- Thread the cable ties through the openings provided in the mounting bracket as shown for vertical or horizontal orientation. For vertical orientation keep dust cover on the top as show on the picture. Tighten the cable tie(s) "E" over the tubing to secure the bracket.

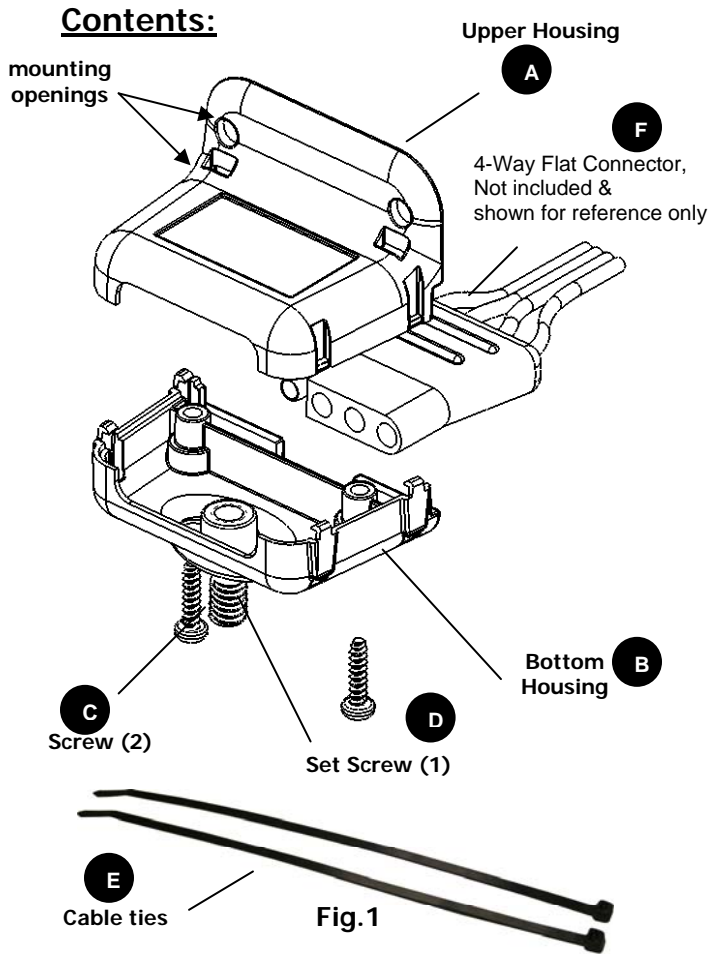


Fig.1

Vertical mounting option (requires 1 cable tie)      Horizontal mounting option (requires 2 cable ties)

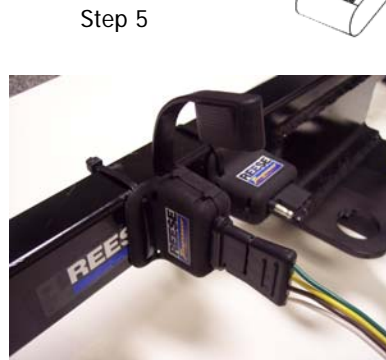


Fig.2

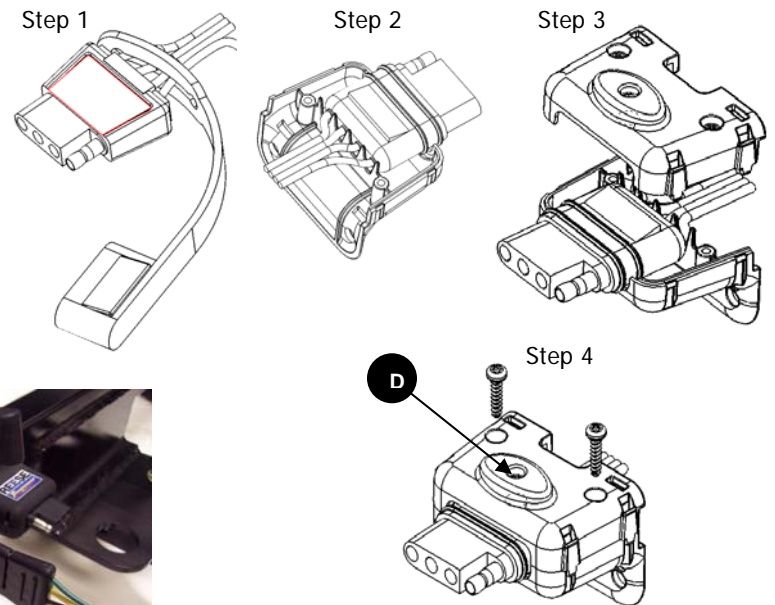


Fig.3