

NEVER LEAVE THE HEATER UNATTENDED WHILE BURNING!

OPERATING INSTRUCTIONS AND OWNER'S MANUAL

**PORTABLE BUDDY
RADIANT HEATER**

Model # MH9BX



PORTABLE PROPANE HEATER FOR
RECREATIONAL AND
COMMERCIAL USE

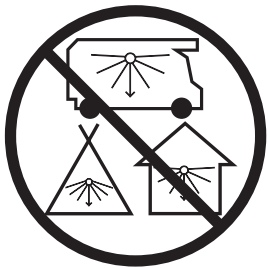
FOR CANADA SALE

Use only Mr. Heater branded accessories
(See page 10 for WARNING information)

LANGUAGES INCLUDED:

- ENGLISH
- FRENCH

! DANGER



CARBON MONOXIDE HAZARD

This appliance can produce carbon monoxide which has no odor.

Using it in an enclosed space can kill you.

Never use this appliance in an enclosed space such as a camper, tent, car or home.

FOR YOUR SAFETY

If you smell gas:

- Do not attempt to light appliance.
- Extinguish any open flames.
- Disconnect from fuel supply.

FOR YOUR SAFETY

Do not store or use gasoline or other flammable vapors and liquids in the vicinity of this or any other appliance.

READ INSTRUCTIONS CAREFULLY: Read and follow all instructions. Place instructions in a safe place for future reference. Do not allow anyone who has not read these instructions to assemble, light, adjust or operate the heater.

⚠️WARNING:

Early signs of carbon monoxide poisoning resemble the flu, with headache, dizziness and/or nausea. If you have these signs, heater may not be working properly. Get fresh air at once! Have heater serviced.

⚠️WARNING:

Every time hose or tank is connected to unit, connection must be checked for leaks in one or more ways: Apply soapy water to connection, look for bubbles, listen for hiss of escaping gas, feel for extreme cold, smell for rotten egg odor. Do not use if leaking!

⚠️WARNING:

Fuels used in liquefied propane gas appliances, and the products of combustion of such fuel, can expose you to chemicals including benzene, which is known to the state of California to cause cancer and cause birth defects or other reproductive harm, for more information go to www.P65Warnings.ca.gov

⚠️WARNING:

This product can expose you to chemicals including lead and lead compounds, which are known to the State of California to cause cancer and birth defects or other reproductive harm. For more information visit www.P65Warnings.ca.gov

⚠️WARNING:

Any changes to this heater or its controls can be dangerous.

⚠️WARNING:

FIRE OR EXPLOSION HAZARD
If you smell gas:

1. **Do not attempt to light appliance and make sure appliance is in the "OFF" position.**
2. **Extinguish any nearby flames.**
3. **Shut off the cylinder fuel supply valve, if so equipped.**
4. **Disconnect the disposable fuel cylinder, if so equipped.**
5. **Leave the area immediately.**
6. **Allow gas to dissipate 5 minutes.**
7. **If gas smell has dissipated from the area, the appliance, and fuel supply. follow gas connection procedures. If you smell gas again, follow steps 1-6 and have appliance serviced.**

Failure to follow these instructions could result in fire or explosion, which could cause property damage, personal injury, or death.

CONTENTS

- 2 **Warnings**
- 3 **General Safety Instructions**
- 3 **Odor Fade Warning**
- 4 **General Information**
- 4 **Operation**
 - Lighting
 - Shutdown
- 6 **Maintenance**
- 7 **Troubleshooting**
- 8 **Parts List**
- 10 **Ordering Parts/Warranty**

Specifications

Model No.	MH9BX
Gas Type	Propane (LP)
Input (Btu/Hr)	4,000/9,000
Minimum Ambient Temperature	-18°C/ 0°F
Clearance To Combustibles	
Top	30"
Front	24"
Sides	6"
Rear	0"

⚠️WARNING:

Improper installation, adjustment, alteration, service or maintenance can cause injury or property damage. Refer to this manual. For assistance or additional information, consult a qualified installer, service agency or gas supplier.

Caution:

- **When operating the heater at altitudes over 7,000 FT above sea level the heater may shut off.** (Please read the GENERAL INFORMATION)
- Some carpets or linoleum surfaces may discolor if heater is placed directly on these floor coverings.

ODOR FADE WARNING

⚠️WARNING:

ASPHYXIATION HAZARD

- Do not use in unventilated areas.
- The flow of combustion and ventilation air must not be obstructed.
- Proper ventilation air must be provided to support the combustion air requirements of the heater being used.
- Refer to the specification section of the heater’s manual, heater dataplate, or contact the factory to determine combustion air ventilation requirements of the heater.
- Lack of proper ventilation air will lead to improper combustion.
- Improper combustion can lead to carbon monoxide poisoning leading to serious injury or death. Symptoms of carbon monoxide poisoning can include headaches, dizziness and difficulty in breathing.

GENERAL SAFETY INSTRUCTIONS

THIS IS A HEATING APPLIANCE. DO NOT OPERATE THIS APPLIANCE WITHOUT THE FRONT GRILL INSTALLED. DO NOT ATTEMPT TO WARM OR COOK FOOD ON THIS HEATER.

- Do not use non-approved attachments on this heater.
- Due to high temperatures, the appliance should be located out of traffic and away from combustible materials.
- Children and adults should be alerted to the hazard of high surface temperatures and should stay away to avoid burns or clothing ignition.
- Young children should be carefully supervised when they are near the appliance.

- Do not place clothing or other flammable material on or near the appliance.
- Do not operate heater in any moving vehicle.
- This heater is for outdoor use only.
- GAS PRESSURE AT HEATER IS REGULATED AND FIXED AT 11” W.C. WHEN USING A REMOTE HOSE CONNECTION DO NOT REGULATE OR REDUCE PROPANE TANK SUPPLY PRESSURE TO HEATER!
- REGULATOR IN HEATER MUST ALWAYS BE IN PLACE DURING OPERATION.
- Any safety screen or guard removed for servicing the appliance must be replaced prior to operating the heater.
- The appliance should be inspected before each use. Frequent cleaning may be required. The control compartments, burner and circulating air passageways of the appliance must be kept clean, see MAINTENANCE.
- DO NOT use this heater if any part has been under water. Immediately call a qualified service technician to inspect the heater and to replace any part of the control system and any gas control, which has been under water.
- When used without adequate combustion and ventilation air, this heater may give off excessive CARBON MONOXIDE, an odorless, poisonous gas.
- Some people - pregnant women, persons with heart or lung disease, anemia, those under the influence of alcohol, those at high altitudes - are more affected by carbon monoxide than others.
- When heater is placed on the ground, make sure the ground is level and keep any objects at least 24 inches from the front of the heater. THIS HEATER IS EQUIPPED WITH A TIP OVER SWITCH THAT WILL SHUT THE HEATER OFF IF THE HEATER TIPS OVER HOWEVER, DO NOT LEAVE HEATER UNATTENDED OR WHERE CHILDREN MAY CAUSE THE HEATER TO TIP OVER. NEVER OPERATE THE HEATER WHILE SLEEPING!
- Heater must not be exposed to flammable vapors or liquids during lighting or operation.

FUEL GAS ODOR

Propane (LP) gas and natural gas have man-made odorants added specifically for detection of fuel gas leaks.

If a gas leak occurs you should be able to smell the fuel gas. Since propane (LP) gas is heavier than air you should smell for the gas odor low to the floor. ANY GAS ODOR IS YOUR SIGNAL TO GO INTO IMMEDIATE ACTION!

- Do not take any action that could ignite the fuel gas. Do not operate any electrical switches. Do not pull any power supply or extension cords. Do not light matches or any other source of flame. Do not use your telephone.
- Get everyone out of the building and away from the area immediately.
- Close all propane (LP) gas tank or cylinder fuel supply valves, or the main fuel supply valve located at the meter if you use natural gas.
- Propane (LP) gas is heavier than air and may settle in low areas. When you have reason to suspect a propane (LP) gas leak, keep out of all low areas.
- Use your neighbor’s phone and call your fuel gas supplier and your fire department. Do not re-enter the building or area.
- Stay out of the building and away from the area until declared safe by the firefighters and your fuel gas supplier.
- FINALLY, let the fuel gas service person and the firefighters check for escaped gas. Have them air out the building and area before you return. Properly trained service people must repair any leaks, check for further leakages, and then relight the appliance for you.

ODOR FADING - NO ODOR DETECTED

- Some people cannot smell well. Some people cannot smell the odor of the man-made chemical added to propane (LP) gas. You must determine if you can smell the odorant in these fuel gases.
- Learn to recognize the odor of propane (LP) gas. Local propane (LP) gas dealers will be more than happy to give you a scratch and sniff pamphlet. Use it to become familiar with the fuel gas odor.

OPERATION

- Smoking can decrease your ability to smell. Being around an odor for a period of time can affect your sensitivity to that particular odor. Odors present in animal confinement buildings can mask fuel gas odor.
- **The odorant in propane (LP) gas is colorless and the intensity of its odor can fade under some circumstances.**
- If there is an underground leak, the movement of gas through the soil can filter the odorant.
- Propane (LP) gas odor may differ in intensity at different levels. Since propane (LP) gas is heavier than air, there may be more odor at lower levels.
- **Always be sensitive to the slightest gas odor.** If you continue to detect any gas odor, no matter how small, treat it as a serious leak. Immediately go into action as discussed previously.

ATTENTION - CRITICAL POINTS TO REMEMBER!

- Propane (LP) gas has a distinctive odor. Learn to recognize these odors. (Reference Fuel Gas Odor and Odor Fading sections above.
- Even if you are not properly trained in the service and repair of the heater, ALWAYS be consciously aware of the odors of propane (LP) gas.
- If you have not been properly trained in repair and service of propane (LP) gas then do not attempt to light heater, perform service or repairs, or make any adjustments to the heater on the propane (LP) gas fuel system.
- A periodic sniff test around the heater or at the heater's joints; i.e. hose, connections, etc., is a good safety practice under any conditions. If you smell even a small amount of gas, CONTACT YOUR FUEL GAS SUPPLIER IMMEDIATELY. DO NOT WAIT!

GENERAL INFORMATION

- When the heater is cold or at room temperature, it will take a few minutes for the burner tile to turn bright orange. This is normal and the heater is working properly. If burner tile is visibly flaming, turn heater off and call a qualified service technician.

Note: The heater is to be used outdoors, but may experience nuisance shutoffs due to certain wind conditions.

- When the unit is lit, there should be about a quarter inch (1/4") border around the tile that will not turn bright orange. This is normal.
- When operating the heater for the first time, the top area of the reflector may discolor. This is also normal and is no reason for concern.
- The protective grill on the front of this heater is coated with a special high-temperature resistant paint. When the heater is used for the first time, the grill may give off noticeable smoke or fumes. This is normal and will not occur during subsequent uses. The fumes are not harmful.
- Heater is designed to operate at altitudes up to 7,000 feet. When operating the heater at altitudes over 7,000 FT. above sea level, the unit may not burn as bright as in lower altitudes. This is normal. At higher altitudes, the heater may shut-off. If this happens, provide fresh air, wait 5 minutes and re-light. If the heater continues to shut off, there may not be enough oxygen available to feed proper combustion.
- Operating time will be approximately 3 to 6 hours on a one 11lb cylinder and 48 to 110 hours on a 20 lb cylinder (based on "HI" and "LO" settings).
- Due to the properties of LP gas, runtimes can be significantly reduced when operating continuously at temperatures below 20°F.
- This heater is equipped with a tip-over safety switch. Nuisance shut-downs may be experienced if the unit is bumped or moved. If this occurs simply relight the heater.
- Do not leave this appliance unattended while it is in operation. Keep children and pets away from the appliance at all times.
- LP-gas cylinders must be constructed and marked in accordance with the specifications for "Cylinders, Spheres and Tubes for Transportation of Dangerous Goods, CAN/CSA B339".
- Use only VAPOR WITHDRAWAL propane supply. If there is any question about vapor withdrawal, ask your propane dealer.

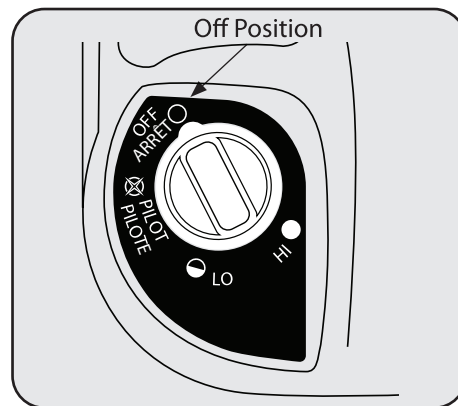


Figure 1

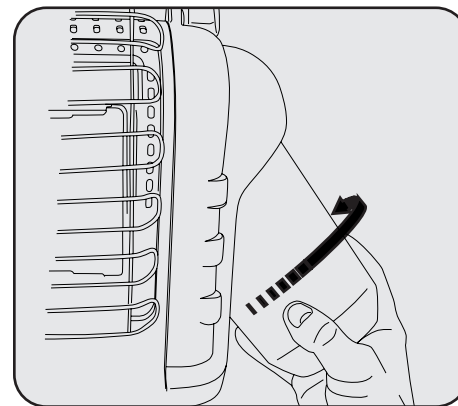


Figure 2

⚠ WARNING: Always inspect propane cylinder and heater propane connections for damage, dirt, and debris before attaching propane cylinder. Do not use if head of cylinder is damaged, punctured or deteriorated.

⚠ WARNING: Do not operate heater unless control knob is locked in a position marked "hi", "lo" or "pilot". Never set control knob between locked positions. Poor combustion and higher levels of carbon monoxide may result.

⚠ CAUTION: Do not try to adjust heating levels by using the propane tank shut off valve.

LIGHTING / OPERATING INSTRUCTIONS FOR USE WITH DISPOSABLE 1 LB. PROPANE CYLINDERS:

ALWAYS ATTACH OR DETACH CYLINDER OUTDOORS AWAY FROM FLAMES, OTHER IGNITION SOURCES, AND ONLY WHEN HEATER IS COOL TO TOUCH. NEVER SMOKE WHEN ATTACHING OR REMOVING PROPANE CYLINDER OR MAKING REMOTE CONNECTIONS!

- Use only 16.4 oz. (1 lb.) disposable cylinders that mate with No. 600 valve connection.
- Heater and attached cylinder must be in an upright position during operation.

IMPORTANT: The heater must not be exposed to flammable vapors or liquids during lighting.

1. Make sure four-position Control Knob is in "OFF" position. See Figure 1.
2. Swivel regulator outward for easy tank installation. Screw 1 lb. disposable LP-gas supply cylinder clockwise (from bottom) into portable heater until hand-tight. See Figure 2. Do not use thread sealant on this connection.
3. Check cylinder connection for leaks with soapy water at the threaded connection under the domed plastic cover where the cylinder screws into the regulator. SEE WARNING! ON DOMED PLASTIC COVER.
4. Turn Control Knob counterclockwise to "PILOT" position and depress to light. See Figure 3.
5. After pilot lights, hold down for 30-60 seconds and then release knob. Knob should return to fully extended position. See Figure 4.
6. To operate heater slightly depress knob and gently turn to lock in the "HI" position to light burner tile. Leave on "HI" position until burner tile turns bright orange.
7. After burner tile has turned bright orange, adjust heat output by turning Control Knob to desired position ("LO" or "HI" setting).

Shutdown Instructions

1. To shut off heater, slightly push down and turn Control Knob clockwise to "OFF" position.
- Do not operate, store or remove cylinder near flammable items or ignition sources.

LP-GAS CYLINDERS MUST BE DISCONNECTED FROM HEATER WHEN NOT IN USE!

LIGHTING / OPERATING INSTRUCTIONS FOR USE WITH HOSE CONNECTED TO A REMOTE CYLINDER, MAXIMUM SIZE 20 LBS:

- This Heater may be used with a remote refillable propane cylinder ONLY when the cylinder is located outdoors and the Heater is used with Mr. Heater Hose No. **F273701**, **F273702** or **F272702** and fuel filter **F273699**. Fuel filter must be replaced annually. (**NOTE:** Do not operate without the fuel filter as fuel contamination may damage the heater.) Or use **F273704** Buddy series hose. Fuel filter not required.
- Inspect the hose before each use of the heater. If there is excessive abrasion or wear, or the hose is cut, replace prior to using the heater with one of the Mr. Heater Hose No's. shown above.
- The propane cylinder must include a listed overfilling protection device as well as a collar to protect the cylinder valve.
- Heater must be in an upright position during operation.

IMPORTANT: The heater must not be exposed to flammable vapors or liquids during lighting.

1. Make sure four-position Control Knob is in "OFF" position. See Figure 1.
2. Swivel regulator outward for easy hose installation. Screw hose connector into regulator on heater and screw connector on other end of hose into LP-gas supply cylinder valve. Tighten all hose connections. DO NOT use thread sealant on any of these connections.
3. Mr. Heater strongly recommends using disposable fuel filter **F273699** to trap any oil substances when connected to a remote cylinder that can make heater inoperable.
4. Open valve at LP-gas supply cylinder.
5. Check all hose connections for leaks with soapy water at the threaded connection under the domed plastic cover where the hose connector screws into the regulator and at LP-gas supply cylinder. SEE WARNING! ON DOMED PLASTIC COVER.

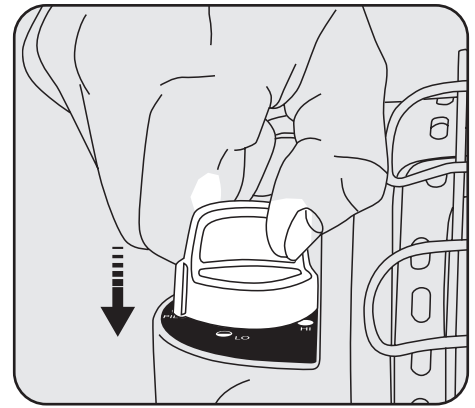


Figure 3

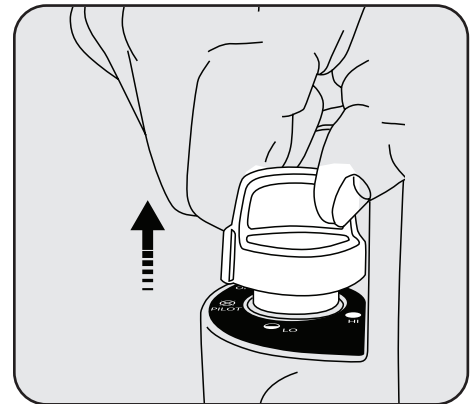


Figure 4

CAUTION: After turning heater off, wire guard will remain hot. Allow to thoroughly cool before storing.

DANGER: NEVER bring a refillable propane cylinder indoors. A fire or explosion can occur causing property damage, serious injury or death!

6. Turn Control Knob counterclockwise to "PILOT" position and depress to light. See Figure 3. This may take longer to purge air from the supply hose depending on the length of the hose being used.
7. If pilot does not light, hold down for approximately 30 seconds; release and depress again. Repeat until pilot lights.
8. After pilot lights, hold down for 30 -60 seconds and then release knob. Knob should return to fully extended position. See Figure 4. The pilot should remain lit.
9. To operate heater slightly depress knob and gently turn to lock in the "HI" position to light burner tile. Leave on "HI" position until burner tile turns bright orange.
10. After burner tile has turned bright orange, adjust heat output by turning Control Knob to desired position ("LO" or "HI" setting).

Shutdown Instructions

1. To shut off heater, shut off propane at supply tank, allow heater to use-up propane in supply line until heater shuts off, then slightly push down and turn Control Knob clockwise to "OFF" position.
 - When not in use, the gas must be turned off at the LP-gas supply cylinder. As stated before allow heater to use up propane in supply line until heater shuts off. When the LP-gas supply cylinder is not disconnected from the heater, the heater and the cylinder must be stored outdoors, in a well ventilated space, out of reach of children, and must not be stored in a building, garage or any other enclosed area.
 - Indoor storage of the heater is permissible only if the cylinder is disconnected and removed from the heater. Cylinders must be stored outdoors out of the reach of children and must not be stored in a building, garage or any other enclosed area.

Maintenance

- Always keep the heater area clear and free from combustible materials, gasoline and other flammable vapors and liquids.
- Keep the vent areas (slots in the bottom and top of the heater) clear at all times.
- Visually inspect the pilot flame and burner periodically during use. The

pilot flame should be blue in color (not yellow) and will extend to the thermocouple. The flame will surround the thermocouple just below the tip. See Figure 5.

- A slight yellow flame may occur where the pilot flame and main burner flame meet. The burner should be bright orange (with a slight blue color around the border, a red-orange haze that is visible on the ceramic tile is acceptable) and without a noticeable flame.
- A blue flame that rolls out at the top of the ceramic tile indicates an accumulation of dust, lint or spider webs inside the housing assembly and main burner assembly. If the pilot is yellow or the burner has a noticeable flame, cleaning may be required.
- It is necessary to periodically check the burner orifice and burner venturi to make sure that they are clear of things such as insect nests and spider webs that may accumulate over time. A clogged tube can lead to a fire.
- Use the following procedure to inspect the casing assembly and main burner assembly.

Cleaning Instructions (Refer to Exploded Parts on Page 8):

IMPORTANT: Allow heater to thoroughly cool before performing any maintenance.

1. Remove disposable 1 lb. cylinder from heater or turn OFF gas supply at remote cylinder valve, and disconnect hose from heater.
2. Remove (4) four screws that secure the rear cover (ref. # 7) to the Heater.
3. Pivot cover outward from bottom. Release from 2 top clips. Set aside.
4. Remove (4) four burner retaining screws and fuel line from burner assembly. Remove burner assembly (ref. # 16) from back of housing.
5. Inspect interior of housing for accumulation of dust, lint or spider webs. If necessary, clean interior housing with a vacuum cleaner or apply air pressure. Do not damage any components within the housing assembly when you are cleaning.
6. Inspect and clean main burner orifice (threaded into orifice holder). Orifice holder (ref.# 19) is attached to the burner assembly venturi with (2) two screws.

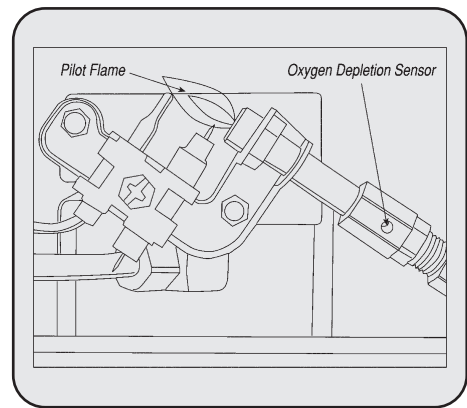


Figure 5

WARNING: Never use needles, wires or similar cylindrical objects to clean the pilot to avoid damaging the calibrated ruby that controls the gas flow through the pilot orifice.

7. Inspect and clean pilot (mounted to bracket) by using a vacuum or apply air pressure through the holes in the pilot indicated by the arrows in Figure 5.
8. Apply air pressure (max. 30 psi.) into ceramic tile of burner assembly and the venturi tube to remove dust, lint or spider webs.
9. Reassemble main burner orifice holder onto the burner assembly.
10. Reinstall burner assembly into the heater housing.
11. Reinstall fuel line and check for leaks.
12. Install heater back cover.
13. The exterior of the heater can be cleaned with a damp cloth. Avoid the direct use of any aerosol or spray-on cleaners. Do not use abrasive materials or cleaners on the decals or control knob.

OFFSEASON

- If the heater is to left "OFF" for a considerable period of time, the propane (LP) gas supply to the heater should be turned off as close to the gas source as possible. In the case of portable use, the gas should be turned off at the propane (LP) gas supply cylinder.
- If the heater is put into storage, make sure to disconnect the propane (LP) gas cylinder.

SYMPTOM

- **Spark electrode does not produce spark.**

CAUSE	REMEDY
1. Spark electrode broken.	1. Replace ODS (Oxygen Depletion Sensor).
2. Igniter wire may not be attached to spark electrode.	2. Attach igniter wire.
3. Igniter wire damaged.	3. Replace igniter wire.
4. Piezo igniter is defective.	4. Replace gas valve assembly.

SYMPTOM

- **Spark electrode produces spark but pilot does not light.**

CAUSE	REMEDY
1. No gas to heater.	1. Install disposable cylinder or connect hose and filter where required and turn on valve at remote cylinder.
2. "PILOT" position not properly aligned.	2. Turn gas control knob to "PILOT" position and depress.
3. Pilot is blocked with foreign debris.	3. Clean pilot. See MAINTENANCE section.

SYMPTOM

- **Pilot flame does not stay lit when knob is released.**

CAUSE	REMEDY
1. Improper pilot lighting.	1. Make sure that the control knob is completely depressed in the "PILOT" position and held long enough to purge air from lines.
2. Pilot flame not surrounding thermocouple.	2. Clean pilot, see MAINTENANCE.
3. Pilot Assembly is defective.	3. Replace Pilot Assembly.
4. Tip switch wires are disconnected.	4. Connect tip switch wires.

SYMPTOM

- **Main burner does not ignite.**

CAUSE	REMEDY
1. Main burner orifice is blocked.	1. Clean burner - see Maintenance.

SYMPTOM

- **Heater keeps shutting "OFF" during normal operation.**

CAUSE	REMEDY
1. Pilot is blocked.	1. Clean pilot. See MAINTENANCE section.
2. Inadequate fresh air opening.	2. Provide minimum fresh air opening of 9 square inches (example 3" x 3" opening).
3. Tip over switch activated from bumping heater.	3. Re-light.
4. Regulator defective.	4. Replace regulator.
5. Internal contamination.	5. Replace control valve and regulator.

- For additional assistance or information, please call Technical services.

Mr. Heater • Portable Buddy Radiant Heater • Model # MH9BX

Item No.	Part No.	Description
1	32017	Knob, Valve, Safety, Red
	32019	Knob, Valve, Safety, Green
2	32048	Valve, Assy., Control
3	32056	Tube, Burner, Main
4	32053	Tube, Inlet, Assy.
5	32051	Guard, Wire
	32061	Guard, Wire, Heavy
6	33092	Panel, Front, Metal, Red
	33094	Panel, Front, Metal, Yellow
	33093	Panel, Front, Metal, Green
7	75191	Panel, Back, Metal, w/32004, Red
	75194	Panel, Back, Metal, w/32004, Yellow
	75196	Panel, Back, Metal, w/32004, Green
8	32027	Brkt., Valve
9	32028	Heat, Shield
10	32015	Handle, Back, Plastic, Gray
	32074	Handle, Back, Plastic, Black
11	32014	Handle, Front, Plastic, Gray
	32072	Handle, Back, Plastic, Black
12	75198	Assy., Regulator, w/Support
13	32080	Housing, Left, Plastic, Gray
	32085	Housing, Left, Plastic, Black
14	32021	Reflector, Metal
15	33088	Tile, Replacement Kit, MH9BX
16	32032	Burner, Assy.
17	32095	Housing, Right, Plastic, Gray
	33091	Housing, Right, Plastic, Black
18	32068	Orifice, Assy. with O-Ring
19	32052	Orifice, Holder
20	32023	Floor, Panel, Metal
21	42115	Switch, Tipover
22	32046	Brkt., ODS (Oxygen Depletion Sensor)
23	73404	ODS, Pilot, Assy.
24	32057	Tube, Pilot, Assy.
25	32067	Magnet, Tank

ACCESSORIES:

ITEM #	DESCRIPTION
F273701	5 ft. PROPANE HOSE ASSEMBLY (Swivel 1"-20 Male Throttle Cyl. Thd. X P.O.L. w/Handwheel) (Recommended use with fuel filter.)
F273702	12 ft. PROPANE HOSE ASSEMBLY (Swivel 1"-20 Male Throttle Cyl. Thd. X P.O.L. w/Handwheel) (Recommended use with fuel filter.)
F272702	12 ft. PROPANE HOSE ASSEMBLY (Swivel 1"-20 Male Throttle Cyl. Thd. X P.O.L. w/Handwheel) (Recommended use with fuel filter.)
F273699	Fuel Filter (Replace Annually)
F273704	10 ft. BUDDY-SERIES HOSE ASSEMBLY (Fuel filter not required)

NEVER LEAVE THE HEATER UNATTENDED WHILE BURNING!

WARRANTY AND PARTS ORDERING

PORTABLE BUDDY RADIANT HEATER



Model # MH9BX

READ INSTRUCTIONS CAREFULLY: Read and follow all instructions. Place instructions in a safe place for future reference. Do not allow anyone who has not read these instructions to assemble, light, adjust or operate the heater.

⚠️WARNING:

USE ONLY MANUFACTURER'S REPLACEMENT PARTS. USE OF ANY OTHER PARTS COULD CAUSE INJURY OR DEATH. REPLACEMENT PARTS ARE ONLY AVAILABLE DIRECT FROM THE FACTORY AND MUST BE INSTALLED BY A QUALIFIED SERVICE AGENCY. MR. HEATER HOSES **F273701**, **F273702** AND **F272702** ARE SPECIFICALLY DESIGNED FOR USE WITH THIS HEATER ALONG WITH F273699 DISPOSABLE FUEL FILTER (REPLACE ANNUALLY). USE OF OTHER HOSES MAY CAUSE THE HEATER TO BECOME INOPERABLE. USE BUDDY SERIES HOSE NO. **F273704**, FUEL FILTER IS NOT REQUIRED.

⚠️WARNING:

THIS PRODUCT IS A HEATER. IT IS CERTIFIED TO ANSI/CSA INTERNATIONAL REQUIREMENT SECTION Z21.63:19/CSA 11.3:19, "UNVENTED PORTABLE TYPE GAS CAMP HEATERS FOR OUTDOOR USE." THIS PRODUCT IS **NEVER** TO BE USED FOR THE COOKING OR WARMING OF FOODS AS DOING SO CAN INTERFERE WITH THE SAFETY SYSTEMS OF THE HEATER, WHICH MAY RESULT IN A FIRE, EXPLOSION, THE PRODUCTION OF DEADLY CARBON MONOXIDE, AND PERSONAL INJURY OR DEATH TO YOU OR OTHERS. **NEVER** USE HAND-MADE OR THIRD PARTY ACCESSORIES OR ATTACHMENTS WITH THIS HEATER; THIS IS EXTREMELY DANGEROUS AND MAY RESULT IN PERSONAL INJURY OR DEATH TO YOU OR OTHERS.

PARTS ORDERING INFORMATION

PURCHASING: Accessories may be purchased at any Mr. Heater local dealer or direct from the factory

FOR INFORMATION REGARDING SERVICE

Please call Toll-Free 800-251-0001

Or visit www.mrheater.com

Our office hours are 8:00 AM – 5:00 PM, EST, Monday through Friday.

Please include the model number, date of purchase, and description of problem in all communication.

LIMITED WARRANTY

Enerco Group, Inc. warrants its heaters and accessories to be free from defects in material and workmanship for a period of 1 year from date of purchase. Mr. Heater, Inc. will repair or replace this product free of charge if it has been proven to be defective within the 1-year period, and is returned at customer expense with proof of purchase to Mr. Heater, Inc. within the warranty period. **DISCLAIMER:** This warranty does not cover any product that: a) has been subject to misuse or neglect; b) has been used in a manner inconsistent with the warnings and instructions contained in the owner's manual, including but not limited to using a heater for the cooking or warming of foods; or c) has been used with hand-made or third party accessories or attachments.

This warranty gives you specific legal rights, and you may also have other rights which vary from state to state.

Enerco Group, Inc. reserves the right to make changes at any time, without notice or obligation, in colors, specifications, accessories, materials and models.

PRODUCT REGISTRATION: Thank you for your purchase.
Please log in to <http://www.egiregistration.com> to register your product.



ENERCO GROUP, INC., 4560 W. 160TH ST., CLEVELAND, OHIO 44135 • 800-251-0001
Mr. Heater and Portable Buddy are registered trademarks of Enerco Group, Inc.
© 2022, Enerco/Mr. Heater. All rights reserved

NE JAMAIS LAISSER LE CHAUFFAGE SANS SURVEILLANCE PENDANT LE BRÛLAGE!

GUIDE D'UTILISATION ET INSTRUCTIONS DE FONCTIONNEMENT

**PORTABLE BUDDY
RADIANT CHAUFFE**

Modèle MH9BX




APPAREIL DE CHAUFFAGE
PORTATIF AU GAZ PROPANE
À USAGE RÉCRÉATIF ET
COMMERCIAL

À DES FINS DE VENTE AU CANADA

Utilisez uniquement des accessoires de la marque Mr. Heater
(voir page 10 pour les informations relatives à l'AVERTISSEMENT)

LANGUES INCLUSES:

- ENGLISH
- FRENCH

 DANGER	<p>PRODUCTION DE MONOXYDE DE CARBONE Cet appareil produit du monoxyde de carbone, un gaz inodore.</p> <p>Par conséquent, le fait de l'utiliser dans un endroit fermé risque de causer la mort.</p> <p>N'utilisez jamais cet appareil dans un endroit fermé tel qu'une tente, un véhicule récréatif, une automobile ou une maison.</p>	<p>POUR VOTRE SÉCURITÉ Si vous percevez une odeur de gaz:</p> <ul style="list-style-type: none">• N'essayez pas d'allumer l'appareil de chauffage.• Éteignez toute flamme nue.• Coupez l'alimentation en combustible.
		<p>POUR VOTRE SÉCURITÉ N'entreposez et n'utilisez pas d'essence ou d'autres liquides ou vapeurs inflammables à proximité de ce type d'appareil ou de tout autre appareil.</p>

LISEZ SOIGNEUSEMENT LES INSTRUCTIONS : Lisez et observez toutes les instructions. Conservez les instructions pour vous y référer ultérieurement. Interdisez à quiconque n'ayant pas lu les présentes instructions d'assembler, d'allumer, de régler ou de faire fonctionner cet appareil de chauffage.

⚠️ AVERTISSEMENT:
 Les signes avant-coureurs d'intoxication au monoxyde de carbone ressemblent aux symptômes de la grippe accompagnés de mal de tête, d'étourdissement et de nausée. Si vous ressentez ces maux, l'appareil de chauffage ne fonctionne peut-être pas correctement. Allez immédiatement à l'air libre! Faites inspecter l'appareil de chauffage.

⚠️ AVERTISSEMENT:
 Chaque fois que l'appareil est raccordé au réservoir, l'étanchéité des raccords doit être vérifiée d'au moins une façon : enduisez les raccords d'eau savonneuse et surveillez l'apparition de bulles; soyez attentif au sifflement produit par une fuite de gaz, à une sensation de grand froid ou à une odeur d'œuf pourri. N'utilisez pas l'appareil s'il y a des fuites!

⚠️ AVERTISSEMENT:
 Les carburants utilisés dans les appareils à des produits chimiques, notamment le benzène, connu en Californie pour causer le cancer et causer des malformations congénitales ou d'autres problèmes de reproduction. www.P65Warnings.ca.gov.

⚠️ AVERTISSEMENT:
 Ce produit peut vous exposer à plomb et composés de plomb, identifié par l'État de Californie comme pouvant causer le cancer. Lavez-vous les mains après avoir manipulé ce produit. Pour de plus amples informations, prière de consulter www.P65Warnings.ca.gov.

⚠️ AVERTISSEMENT:
 Toute modification de cet appareil de chauffage ou de ses commandes constitue un danger.

⚠️ AVERTISSEMENT: RISQUE D'INCENDIE OU D'EXPLOSION
Si vous sentez du gaz:

- N'essayez pas d'allumer l'appareil et assurez-vous qu'il est en position «OFF».**
- Éteignez toute flamme proche.**
- Fermez la soupape d'alimentation en carburant du cylindre, le cas échéant.**
- Débranchez le cylindre de carburant jetable, le cas échéant.**
- Leave the area immediately.**
- Quittez immédiatement la zone.**
- Si une odeur de gaz s'est dissipée de la zone, de l'appareil et de l'alimentation en carburant. suivre les procédures de raccordement au gaz. Si vous sentez à nouveau du gaz, suivez les étapes 1 à 6 et faites réparer l'appareil.**

Le non-respect de ces instructions peut entraîner un incendie ou une explosion, pouvant entraîner des dommages matériels, des blessures corporelles ou la mort.

MATIÈRES

- 2 Avertissements
- 3 Substance Odorante
- 3 Consignes générales de sécurité
- 4 Informations générales
- 4 Opération
- Éclairage
- Fermer
- 6 Entretien
- 7 Dépannage
- 8 Liste des pièces
- 10 Commande de pièces / Garantie

Spécifications	
Modèle N	MH9BX
Type de gaz	Propano (LP)
Puissance (BTU/h)	4,000/9,000
Température ambiante minimale	-18°C/ 0°F
Distance Des Matériaux Combustibles	
Dessus	75cm
Avant	60cm
Côtés	15cm
Arrière	0cm

⚠️ AVERTISSEMENT:
Une installation, un réglage, une modification, un entretien ou une maintenance incorrects peuvent provoquer des blessures ou des dommages matériels. Reportez-vous à ce manuel. Pour obtenir de l'aide ou des informations supplémentaires, consultez un installateur qualifié, une agence de service ou un fournisseur de gaz.

PRUDENCE:
 • Quelques tapis ou surfaces de linoléum peuvent décolorer si le chauffage est placé directement sur ces revêtements de plancher.

**AVERTISSEMENT LIÉ AUX
SUBSTANCES ODORANTES**

**⚠️ AVERTISSEMENT:
DANGER D'ASPHYXIATION**

- Ne l'utilisez pas dans des endroits non aérés.
- Le débit de chaleur et d'air de ventilation ne doit pas être obstrué.
- Le processus de combustion de cet appareil exige un apport adéquat en air de ventilation.
- Consultez la rubrique portant sur les spécifications techniques dans le manuel de l'appareil ou sur la plaque de données de l'appareil, ou communiquez avec le fabricant pour obtenir les renseignements relatifs aux exigences en apport d'air de ventilation pour la combustion.
- Le processus de combustion ne peut s'effectuer correctement si l'apport en air de ventilation est insuffisant.
- Une combustion inadéquate produit des émanations nocives de monoxyde de carbone pouvant entraîner des troubles de santé graves, voire mortels. Les symptômes d'empoisonnement au monoxyde de carbone sont les maux de tête, les étourdissements et la difficulté respiratoire.

• Lorsque vous utilisez l'appareil de chauffage à des altitudes plus de 7000 pieds au-dessus la mer niveler le chauffage peut se éteindre. (Se il vous plaît lire les informations générales)

**INSTRUCTIONS GÉNÉRALES
EN MATIÈRE DE SÉCURITÉ
CET APPAREIL SERT AU CHAUFFAGE.
NE LE FAITES PAS FONCTIONNER
SANS LA GRILLE PROTECTRICE.
NE PAS ESSAYER DE CHAUFFER
OU CUIRE LES ALIMENTS SUR LA
CHAUFFAGE.**

- Ne pas utiliser non accessoires approuvés sur ce chauffage.
- En raison des températures élevées qu'il atteint, cet appareil doit être placé à distance des lieux de passage et des matériaux combustibles.

- Les adultes comme les enfants doivent être mis au courant des risques qu'entraînent les températures élevées des surfaces afin d'éviter les brûlures et l'inflammation des vêtements.
- Les jeunes enfants doivent être étroitement surveillés lorsqu'ils sont à proximité de l'appareil.
- Ne placez pas de vêtements ou de matière inflammable sur l'appareil ou près de celui-ci.
- Cet appareil de chauffage est conçu uniquement pour être utilisé à l'extérieur.
- LA PRESSION DE GAZ DANS L'APPAREIL DE CHAUFFAGE EST RÉGLÉE ET FIXÉE À 11" W.C. EN L'UTILISANT RACCORDÉ À UNE BONBONNE DISTANTE, NE RÉGLEZ NI NE RÉDUISSEZ LA PRESSION D'APPROVISIONNEMENT EN GAZ VERS L'APPAREIL DE CHAUFFAGE!
- LE RÉGULATEUR DE L'APPAREIL DE CHAUFFAGE DOIT TOUJOURS ÊTRE EN PLACE LORS DE SON FONCTIONNEMENT.
- Tout dispositif de protection enlevé lors de l'entretien de l'appareil doit être replacé avant de faire fonctionner ce dernier.
- L'appareil doit être inspecté avant chaque utilisation. De fréquents nettoyages peuvent s'avérer nécessaires. Les boîtiers de commande, le brûleur et les passages de ventilation de l'appareil doivent rester propres (voir ENTRETIEN).
- N'UTILISEZ PAS l'appareil si l'une de ses parties est mouillée. Appelez immédiatement un technicien qualifié pour qu'il inspecte l'appareil de chauffage et remplace les parties du système de commandes et de contrôle du gaz qui ont été exposées à l'eau.
- Si l'appareil de chauffage est utilisé sans l'apport d'air nécessaire à la combustion et à la ventilation, il produira une quantité excessive de MONOXYDE DE CARBONE, un gaz toxique et inodore.
- Certaines personnes, notamment celles enceintes, celles affectées de problèmes cardio-respiratoires, celles sous l'influence de l'alcool et celles se trouvant à de hautes altitudes, seront davantage affectées par le monoxyde de carbone que les autres.
- Lorsque l'appareil de chauffage est placé sur le sol, assurez-vous que ce dernier est de niveau. Gardez les objets à une distance de 60 cm (24 po) de l'avant de l'appareil. CET APPAREIL DE CHAUFFAGE EST MUNI D'UN INTERRUPTEUR QUI L'ÉTEINDRA EN CAS DE BASCULEMENT. NE LAISSEZ CEPENDANT PAS L'APPAREIL SANS SURVEILLANCE, PARTICULIÈREMENT SI DES ENFANTS RISQUENT DE LE FAIRE BASCULER. NE FAITES JAMAIS FONCTIONNER L'APPAREIL PENDANT VOTRE SOMMEIL!
- Ne laissez pas cet appareil sans surveillance lorsqu'il est en marche. Tenez les enfants et les animaux domestiques éloignés de l'appareil en tout temps.

**ODEUR DE GAZ
COMBUSTIBLE**

Des additifs odorants ont été ajoutés au gaz propane liquéfié et au gaz naturel dans le but de faciliter la détection de fuites. Vous devriez remarquer une odeur de gaz combustible s'il y a une fuite. Comme le gaz propane (liquéfié) est plus lourd que l'air, l'odeur de gaz se détecte plus facilement près du sol. TOUTE ODEUR DE GAZ EST UN SIGNAL QU'IL FAUT INTERVENIR IMMÉDIATEMENT!

- Ne prenez aucune mesure qui provoquerait l'allumage des vapeurs de gaz. N'utilisez aucun interrupteur électrique. Ne tirez sur aucune source d'alimentation électrique ou rallonge électrique. N'allumez pas d'allumettes ni aucune source de flamme. N'utilisez pas votre téléphone.
- Faites évacuer immédiatement toute personne se trouvant dans l'immeuble.
- Fermez tous les robinets d'alimentation du réservoir de gaz propane (liquéfié) ou de la bonbonne, ainsi que le robinet d'alimentation principale situé sur le compteur, si vous utilisez du gaz naturel.
- Le gaz propane (liquéfié) est plus lourd que l'air et peut s'accumuler dans les endroits près du sol. Si vous croyez qu'il y a une fuite de gaz propane, éloignez-vous des endroits plus bas.
- Utilisez le téléphone d'un voisin et communiquez avec votre fournisseur en gaz combustible et votre service d'incendies. Ne retournez pas dans l'immeuble ou dans le secteur.
- N'entrez pas dans l'immeuble et restez-en à l'écart jusqu'à ce que le personnel du service des incendies ou le fournisseur en gaz combustible ait confirmé que l'endroit ne comporte aucun risque.
- EN DERNIER LIEU, laissez le personnel du service des incendies ou d'approvisionnement en gaz combustible vérifier si du gaz s'échappe. Assurez-vous qu'ils aient aéré l'immeuble avant d'y retourner. Le personnel d'entretien expérimenté doit colmater toute fuite, vérifier la présence d'autres fuites, puis se charger d'allumer l'appareil pour vous.

**SUBSTANCE ODORANTE -
AUCUNE ODEUR DÉCELÉE**

- Certaines personnes ne détectent pas bien les odeurs. Il est donc possible que certaines personnes ne puissent sentir la substance odorante ajoutée au gaz propane (liquéfié) ou au gaz naturel. Vous devez savoir si vous arrivez à déceler l'odeur de cette substance dans le gaz combustible.

- Apprenez à reconnaître l'odeur du gaz propane et celle du gaz naturel. Pour ce faire, les détaillants de gaz propane (liquéfié) locaux seront heureux de vous fournir un feuillet comprenant une pastille à humer. Servez-vous de cette pastille pour vous aider à reconnaître l'odeur de gaz combustible.
- Le tabagisme peut nuire à votre faculté olfactive. Votre facilité à détecter une odeur quelconque peut s'estomper si vous demeurez un certain temps dans un endroit où cette odeur est présente. La présence d'animaux dans des endroits clos peut aussi masquer l'odeur du gaz combustible.
- **La substance odorante contenue dans le gaz propane (liquéfié) et le gaz naturel est incolore et, selon certaines circonstances, son odeur pourrait s'estomper.**
- En cas de fuite souterraine, le déplacement du gaz dans le sol peut filtrer l'odeur.
- L'intensité de l'odeur du gaz propane (liquéfié) peut varier à différents niveaux. Étant donné que le gaz propane (liquéfié) est plus lourd que l'air, l'odeur peut être plus prononcée à des niveaux inférieurs.
- **Portez toujours attention à la moindre odeur de gaz.** Si une odeur de gaz persiste, même si elle est minime, agissez comme s'il s'agissait d'une fuite importante. Intervenez immédiatement tel que décrit précédemment.

ATTENTION - POINTS ESSENTIELS À RETENIR!

- Le gaz propane (liquéfié) dégage une odeur particulière. Apprenez à reconnaître cette odeur. Consultez les rubriques Odeur du gaz combustible et Substance odorante, ci-dessus.
- Même si vous n'avez pas été formé pour effectuer l'entretien et la réparation de l'appareil, soyez TOUJOURS attentif aux odeurs que dégagent le gaz propane (liquéfié) et le gaz naturel.
- Si vous n'êtes pas formé pour procéder à l'entretien et à la réparation des appareils au gaz propane (liquéfié), ne tentez pas d'allumer l'appareil, de le réparer ou de l'entretenir, ni d'apporter des réglages au système d'alimentation en gaz propane de l'appareil.
- Peu importe les conditions, une bonne pratique de sécurité consiste à sentir de temps à autre autour de l'appareil, des raccords, du tuyau et autres éléments. Si vous décelez la moindre odeur de gaz, COMMUNIQUEZ IMMÉDIATEMENT AVEC VOTRE FOURNISSEUR EN GAZ COMBUSTIBLE. N'ATTENDEZ PAS!

INFORMATIONS GÉNÉRALES

- Lorsque l'appareil de chauffage est froid, il faudra quelques minutes pour que le bloc de brûleur devienne orangé. Ceci est normal : l'appareil de chauffage fonctionne correctement. Si le bloc de brûleur est visiblement enflammé, éteignez l'appareil de chauffage et appelez un technicien qualifié.
- **Notez :** Le chauffage peut être utilisé dehors, mais peut connaître des arrêts d'embêtement en raison de certaines conditions de vent.
- Lorsque l'unité est allumée, il doit y avoir un espace d'un demi-centimètre entourant le bloc qui ne devienne pas orangé. Ceci est normal.
- Au premier fonctionnement de l'appareil, il est possible que la surface supérieure du réflecteur se décolore. Ceci est aussi normal et il n'y a pas raison de s'en inquiéter.
- La grille de protection à l'avant de cet appareil de chauffage est recouverte avec une peinture spéciale résistante aux températures élevées. Quand l'appareil de chauffage est utilisé pour la première fois, le gril peut donner de la fumée ou des émanations visibles. C'est normal et ça va ne pas se produire lors d'utilisations ultérieures. Les vapeurs ne sont pas nocif.
- L'appareil est conçu pour fonctionner à des altitudes pouvant atteindre 2 133 m (7 000 pieds). En faisant fonctionner l'appareil à une altitude supérieure à 2 133 m, il est possible que l'unité ne brûle pas aussi intensément qu'en basse altitude. Ceci est normal. À des altitudes encore plus élevées, l'appareil de chauffage risque de s'éteindre. Si cela se produisait, faites circuler de l'air frais, attendez cinq minutes et allumez-le de nouveau. Si l'appareil de chauffage continue de s'éteindre, il n'y a peut-être pas assez d'oxygène pour permettre une combustion suffisante.
- La durée de fonctionnement est d'environ 5,5 h pour une bonbonne de 500 g. En raison des propriétés de gaz de pétrole liquéfié, les temps d'exécution peut être considérablement réduite lorsqu'on opère en continu à des températures inférieures à -6,6° C. Nous d'un réservoir de GPL de 9 Kg est recommande dans ces conditions.
- En déplaçant l'appareil de chauffage en marche ou en le heurtant, il est possible que l'interrupteur antibascule l'éteigne. Si cela se produit, allumez-le de nouveau.
- Ne laissez pas cet appareil sans surveillance lorsqu'il est en marche. Tenez les enfants et les animaux domestiques éloignés de l'appareil en tout temps.

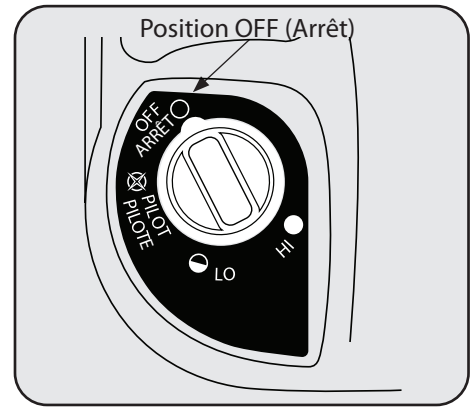


Figure 1

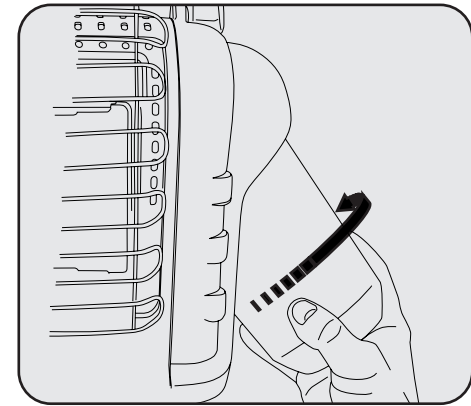


Figure 2

⚠️ AVERTISSEMENT: Vérifiez toujours les raccords de la bouteille et de l'appareil de chauffage avant de les relier pour détecter la présence de particules, de poussières et de dommages. Si l'embout de la bouteille est endommagé ou percé, ne vous en servez pas.

⚠️ AVERTISSEMENT: Ne faites pas fonctionner l'appareil de chauffage si le bouton de commande n'est pas bien en place dans l'une des positions suivantes : hi (élevé), lo (bas), pilot (veilleuse). Ne jamais régler le bouton de commande entre verrouillée positions. Combustion faible et plus élevée des niveaux de monoxyde de carbone peuvent en résulter.

⚠️ ATTENTION: N'essayez pas de vous ajuster niveaux de chauffage en utilisant le réservoir de propane vanne d'arrêt.

- Les bonbonnes de propane liquéfié doivent être identifiées conformément à « Bonbonnes, sphères et récipients pour le transport des marchandises dangereuses, CAN / CSA B339 ».
- N'utilisez que l'alimentation en propane RETRAIT DE VAPEUR. Si vous avez des questions sur le retrait de vapeur, adressez-vous à votre revendeur de propane.

INSTRUCTIONS D'ALLUMAGE ET DE FONCTIONNEMENT AVEC DES BOUTEILLES DE GAZ JETABLES DE 500 G.

FAITES ET DÉFAITES TOUJOURS LE RACCORDEMENT À LA BOUTEILLE À L'EXTÉRIEUR, LOIN D'UNE FLAMME NUE OU D'UNE AUTRE SOURCE DE CHALEUR ET SEULEMENT SI L'APPAREIL DE CHAUFFAGE EST FROID AU TOUCHER. NE FUMEZ JAMAIS EN RACCORDANT OU EN RETIRANT LA BOUTEILLE DE PROPANE NI EN RACCORDANT À DISTANCE!

- N'utilisez que des bouteilles jetables de 500 g (1 lb) munies du raccord de soupape n° 600.
- L'appareil de chauffage et la bouteille doivent être en position verticale pendant le fonctionnement.

IMPORTANT: Le radiateur ne doit pas être exposé à des vapeurs ou à des liquides inflammables pendant l'allumage.

1. Assurez-vous que le bouton de commande quatre positions est la position « OFF » (voir figure 1).
2. Faites pivoter le régulateur outward pour l'installation de réservoir facile. Vis 500 g le cylindre de réserves disponible du gaz de microsillon dans le sens des aiguilles d'une montre (du fond) dans le chauffage portatif jusqu'à serré-de-mains. Voir Figure 2. NE PAS utiliser du produit d'étanchéité pour filetages sur cette liaison.
3. Vérifiez si le raccord fuit en enduisant d'eau savonneuse le raccord fileté situé sous le couvercle bombé en plastique, là où la bouteille se visse dans le régulateur. LISEZ L'AVERTISSEMENT! SUR LE COUVERCLE DE PLASTIQUE.
4. Déprimez légèrement et tournez le Bouton de commande en sens inverse des aiguilles d'une montre à la position "PILOTE", déprimez complètement pour enflammer le pilote et tenir depuis 30-60 secondes. Répétez-vous jusqu'aux lampes témoin.
5. Après le fait d'allumer le pilote, libérez le Bouton, le Bouton devrait revenir à la position complètement prolongée. Pour faire marcher le chauffage, déprimez légèrement le bouton et tournez doucement pour vous bloquer dans la position désirée.
6. Le Bouton de commande de Tour "à SALUT" la position pour allumer le

chauffage. Le congé sur "SALUT" la position jusqu'à la tuile de brûleur tourne l'orange brillante.

7. Une fois que le bloc a atteint cette couleur vive, réglez la sortie de chaleur en tournant le bouton de commande à la position désirée (HI ou LO).

Instructions d'arrêt

1. Pour éteindre l'appareil de chauffage, enfoncez légèrement le bouton de commande et tournez-le dans le sens des aiguilles d'une montre à la position OFF (Arrêt).
- N'utilisez pas, ne remisez pas et n'enlevez pas la bouteille de gaz près d'objets inflammables ou de sources de chaleur.

LA BOUTEILLE DE GAZ PROPANE LIQUÉFIÉ DOIT ÊTRE ENLEVÉE DE L'APPAREIL DE CHAUFFAGE LORSQU'IL N'EST PAS UTILISÉ!

INSTRUCTIONS D'ALLUMAGE ET DE FONCTIONNEMENT AVEC RACCORDEMENT PAR TUYAU À UNE BONBONNE DE GAZ DISTANTE DE 9 KG.

- Il est possible d'utiliser cet appareil de chauffage raccordé à une bonbonne réutilisable distante SEULEMENT si la bonbonne est située à l'extérieur et que le tuyau n° F273701 ou F273702 et le filtre à combustible F273699 sont utilisés. Ce dernier doit être remplacé annuellement. (NOTE: Ne pas fonctionner sans le filtre à carburant la contamination du carburant peut endommager le chauffe-eau.) Ou tuyau de série de copain de l'utilisation F273704. Filtre d'essence non requis.
- Inspectez le tuyau chaque fois avant d'utiliser l'appareil de chauffage. S'il y a apparence de frottement ou d'usure excessifs ou de coupure, remplacez le tuyau avant d'utiliser l'appareil de chauffage, par l'un des modèles de tuyau Mr. Heater mentionnés ci-dessus.
- La bonbonne de gaz doit être munie d'un dispositif de protection contre le remplissage excessif et d'un collet pour protéger la soupape de la bonbonne.
- L'appareil de chauffage doit être en position verticale pendant son fonctionnement.

IMPORTANT: Le radiateur ne doit pas être exposé à des vapeurs ou à des liquides inflammables pendant l'allumage.

1. Assurez-vous que le bouton de commande à quatre positions est à la position "OFF (Arrêt)". Voir Figure 1.
2. Vissez un des raccords du tuyau dans le régulateur de l'appareil de chauffage et vissez l'autre dans la soupape de la bonbonne de gaz propane liquéfié. Serrez tous les raccords de tuyau. NE PAS utiliser du produit d'étanchéité pour filetages sur l'une de ces connexions.

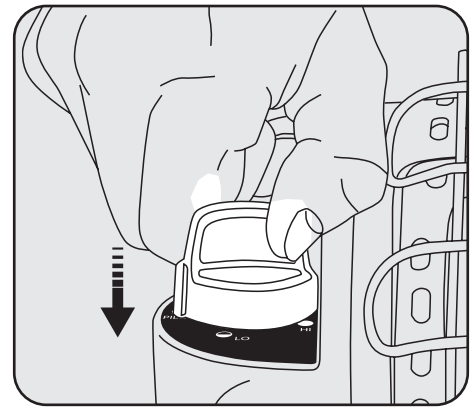


Figure 3

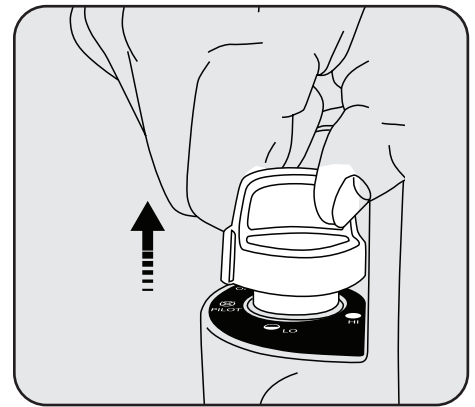


Figure 4

⚠ ATTENTION: Après avoir éteint l'appareil de chauffage, la grille protectrice restera chaude. Laissez-la refroidir complètement avant de remiser l'appareil.

⚠ ATTENTION: NE JAMAIS apporter une bonbonne de gaz réutilisable à l'intérieur. Une explosion ou un incendie causant des dommages matériels, des blessures graves et des pertes de vie risqueraient de se produire.

3. M. Heater recommande vivement d'utiliser un filtre à carburant jetable **F273699** pour piéger les substances grasses lorsqu'il est connecté à un cylindre distant pouvant rendre le chauffage inutilisable.
4. Ouvrez la soupape de la bonbonne de gaz liquéfié.
5. Vérifiez les fuites en enduisant d'eau savonneuse le raccord fileté situé sous le couvercle bombé en plastique, là où le raccord se visse dans le régulateur, et celui situé à la bonbonne de gaz. VOYEZ L'AVERTISSEMENT! SUR LE COUVERCLE DE PLASTIQUE.
6. Tournez le bouton de commande dans le sens antihoraire sur «PILOT» et appuyez sur pour allumer. Voir la figure 3. La purge de l'air du tuyau d'alimentation peut prendre plus de temps en fonction de la longueur du tuyau utilisé.
7. Si le pilote ne s'allume pas, maintenez-le enfoncé pendant environ 30 secondes. relâchez et déprimez à nouveau. Répétez jusqu'à ce que la veilleuse s'allume.
8. Une fois la veilleuse allumée, maintenez-la enfoncée pendant 30 à 60 secondes, puis relâchez le bouton. Le bouton devrait revenir en position complètement étendue. Voir la figure 4. Le pilote doit rester allumé.
9. Le Bouton de commande de Tour "à SALUT" la position pour allumer le chauffage. Le congé sur "SALUT" la position jusqu'à la tuile de brûleur tourne l'orange brillante.
10. Une fois que le bloc a atteint cette couleur vive, réglez la sortie de chaleur en tournant le bouton de commande à la position désirée (HI ou LO).

Instructions d'arrêt

1. Pour éteindre l'appareil de chauffage, fermez l'approvisionnement en gaz sur la bonbonne, laissez l'appareil s'éteindre de lui-même après avoir épuisé le gaz restant dans le tuyau, enfoncez légèrement le bouton de commande et tournez-le dans le sens des aiguilles d'une montre à la position OFF (Arrêt).
- La bonbonne doit être fermée lorsque l'appareil de chauffage ne fonctionne pas. Si la bonbonne est raccordée à l'appareil de chauffage, l'ensemble doit être remis à l'extérieur, dans un endroit bien aéré, hors de la portée des enfants et ne doit pas être remis dans un édifice, un garage ou tout autre endroit fermé.
- Il n'est permis de remiser l'appareil de chauffage à l'intérieur que s'il n'est plus raccordé à la bonbonne. Les bonbonnes doivent être remises à l'extérieur, hors de la portée des enfants, et ne doivent pas être remises dans un édifice, un garage ou tout autre endroit fermé.

Entretien

- Conservez les alentours de l'appareil de chauffage propres et libres de matériaux

combustibles, d'essence ou d'autres liquides ou vapeurs inflammables.

- Faites en sorte que les espaces de ventilation (les fentes dans les sections supérieures et inférieures de l'appareil de chauffage) soient dégagés en tout temps.
- Inspectez visuellement la flamme de la veilleuse et le brûleur régulièrement au cours de l'utilisation. La flamme de la veilleuse doit être bleue, et non jaune, et s'étendra au thermocouple. La flamme doit entourer le thermocouple juste en dessous de son extrémité (voir Figure 1).
- Il est possible qu'une faible flamme jaune apparaisse là où se rencontrent la flamme veilleuse et la flamme principale du brûleur. Le brûleur doit être orange vif (avec un peu de bleu sur le contour; une brume rouge orangée visible sur le bloc céramique est acceptable) sans flamme apparente.
- Une flamme bleue qui s'échappe du bloc céramique indique une accumulation de poussière, de peluches ou de toiles d'araignée à l'intérieur du boîtier ou du compartiment du brûleur. Si la flamme veilleuse est jaune ou que le brûleur dégage une flamme visible, un nettoyage s'impose.
- Il est nécessaire de vérifier régulièrement l'orifice du brûleur et son tube diffuseur pour vous assurer qu'ils sont dégagés des nids d'insectes et des toiles d'araignées qui s'y accumulent avec le temps. Un tube obstrué peut causer un incendie.
- Respectez la méthode suivante pour inspecter le boîtier et le compartiment du brûleur.

Instructions de nettoyage (voir

Pièces éclatées à la page 8):

IMPORTANT: Laissez l'appareil de chauffage refroidir complètement avant d'en effectuer l'entretien.

1. Retirez la bouteille de propane jetable de 500 g de l'appareil de chauffage ou fermez l'alimentation à partir de la bonbonne distante et retirez le tuyau de l'appareil de chauffage.
2. Enlevez la grille protectrice de l'avant de l'appareil de chauffage en la pliant légèrement pour la sortir des trous du couvercle avant.
3. Enlevez la vis retenant le compartiment du brûleur du dessous de l'appareil de chauffage.
4. Retirez le compartiment du devant de l'appareil de chauffage.
5. Vérifiez à l'intérieur du boîtier la présence de poussière, de fibres ou de toiles d'araignée. Au besoin, nettoyez l'intérieur du boîtier à l'aide d'un aspirateur ou d'air comprimé. N'endommagez aucune pièce du boîtier au cours du nettoyage.
6. Inspectez et nettoyez l'orifice du brûleur principal (monté sur le support de la veilleuse avec un contre-écrou) à l'aide d'un aspirateur ou d'air comprimé.

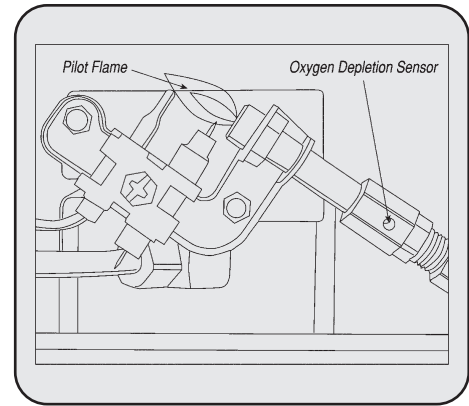


Figure 5

AVERTISSEMENT: N'utilisez jamais d'aiguilles, de broches ou d'autres objets de ce type pour nettoyer la veilleuse afin d'éviter d'endommager la pointe calibrée qui contrôle le débit du gaz.

7. Inspectez et nettoyez la veilleuse (installée sur le support) à l'aide d'un aspirateur ou injectez de l'air comprimé dans les trous de la veilleuse, indiqués par les flèches de la Figure 5, à gauche.
8. Injectez de l'air comprimé sur le bloc céramique du compartiment du brûleur et sur le tube diffuseur (avec un cône au bout) pour enlever la poussière, les fibres et les toiles d'araignée.
9. Assurez-vous que l'assemblage du bloc de brûleur est tout à fait en place contre le réflecteur.
10. Glissez soigneusement le compartiment du brûleur dans le boîtier en vous assurant de centrer la bride du réflecteur sur l'ouverture du boîtier et maintenez-le en place en vissant la vis du compartiment dans le bas de l'appareil.
11. Réinstallent la ligne du combustible et vérifient pour les fuites.
12. Installent le chauffage couvrant en arrière.
13. L'extérieur du radiateur peut être nettoyé avec un chiffon humide. Évitez d'utiliser directement des nettoyants en aérosol ou en aérosol. N'utilisez pas de produits abrasifs ou de nettoyants sur les décalcomanies ou le bouton de commande.

Hors Saison

- Si le chauffe-eau doit rester sur «OFF» pendant une période de temps considérable, l'alimentation en gaz propane (LP) du chauffe-eau doit être coupée le plus près possible de la source de gaz. Dans le cas d'une utilisation portable, le gaz doit être coupé au niveau de la bouteille d'alimentation en gaz propane (LP).
- Si le chauffe-eau est entreposé, assurez-vous de débrancher la bouteille de gaz propane (LP).

SYMPTÔME

- **L'électrode ne produit pas d'étincelle.**

CAUSE

1. L'électrode est brisée.
2. Le fil de l'allumeur n'est pas attaché à l'électrode.
3. Le fil de l'allumeur est endommagé.
4. L'allumeur piézo est défectueux.

SOLUTION

1. Remplacez ODS (Capteur d'épuisement d'oxygène).
2. Attacher le fil d'allumeur.
3. Remplacez le fil d'allumeur.
4. Remplacez le compartiment de la valve de gaz.

SYMPTÔME

- **L'électrode produit une étincelle mais que la veilleuse ne s'allume pas.**

CAUSE

1. S'il n'y a pas de gaz dans l'appareil de chauffage.
2. Si le bouton de commande n'est pas bien aligné avec la position PILOT (VEILLEUSE)
3. La veilleuse est obstruée par des fils d'araignée ou de la saleté.

SOLUTION

1. Installez de nouveau ou remplacez la bouteille de gaz.
2. Tournez-le à la position PILOT (VEILLEUSE) et enfoncez-le.
3. Nettoyez la veilleuse. Voir ENTRETIEN.

SYMPTÔME

- **La flamme de la veilleuse ne reste pas allumée lorsque vous relâchez le bouton.**

CAUSE

1. Mauvais éclairage pilote.
2. La flamme de la veilleuse n'entoure pas le thermocouple.
3. Le compartiment de la veilleuse est défectueux.
4. Les fils de l'interrupteur de bascule sont débranchés.

SOLUTION

1. Assurez-vous que le bouton de commande est complètement enfoncé en position «PILOT» et tenu suffisamment longtemps pour le purger l'air des lignes et pour chauffer le thermocouple une fois que le pilote la flamme apparaît.
2. Nettoyez la veilleuse (voir ENTRETIEN).
3. Remplacez la veilleuse.
4. Rebranche les fils de l'interrupteur de bascule (vérifiez l'interrupteur et les fils raccordés à l'interrupteur)

SYMPTÔME

- **Le brûleur principal ne s'allume pas.**

CAUSE

1. L'orifice du brûleur principal est obstrué.

SOLUTION

1. Nettoyez le brûleur (voir ENTRETIEN).

SYMPTÔME

- **L'appareil ne cesse de s'éteindre pendant un fonctionnement normal.**

CAUSE

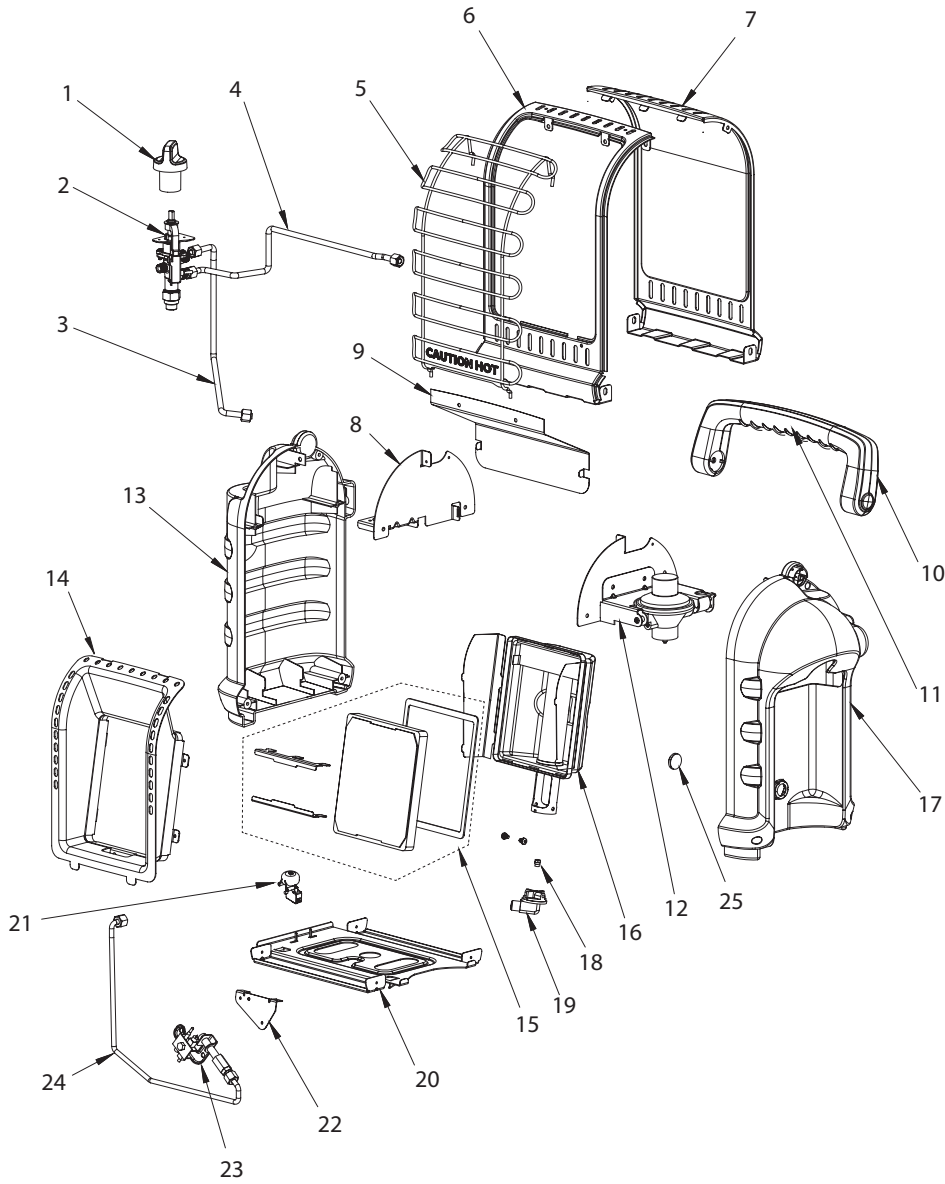
1. La veilleuse est obstruée.
2. Ouverture d'air frais inadéquate.
3. L'interrupteur antibasculé a été activé en heurtant l'appareil.
4. Régulateur défectueux.
5. La contamination Intérieure

SOLUTION

1. Nettoyez la veilleuse (voir ENTRETIEN).
2. Fournir une ouverture d'air frais minimum de 9 pouces carrés (exemple 3 "x 3" ouverture).
3. Allumez le de nouveau.
4. Remplacez le régulateur.
5. Remplacent la valve de contrôle et le régulateur.

- Appellent des Services Techniques pour les renseignements supplémentaires.

LISTE DES PIÈCES



Mr. Heater • Rayonnante Buddy Portable Chauffe • Modèle MH9BX

LISTE DES PIÈCES

No.	DE LA PIÈCE No.	Description
1	32017	Le bouton, la Valve, la Sécurité, Rouge
	32019	Le bouton, la Valve, la Sécurité, Vert
2	32048	La valve, l'Assemblage, le Contrôle
3	32056	Le tube, le Brûleur, Principal
4	32053	Le tube, l'Arrivée, l'Assemblage
5	32051	Garde, Fil
	32061	Garde, Fil, Lourd
6	33092	Le comité, le Front, le Métal, Rouge
	33094	Le comité, le Front, le Métal, Jaune
	33093	Le comité, le Front, le Métal, Vert
7	75191	Le comité, En arrière, le Métal, w/32006, Rouge
	75194	Le comité, En arrière, le Métal, w/32004, Jaune
	75196	Le comité, En arrière, le Métal, w/32004, Vert
8	32027	Parenthèse, Valve
9	32028	Chaleur, Bouclier
10	32015	La poignée, En arrière, le Plastique, Gris
	32074	La poignée, En arrière, le Plastique, Noir
11	32014	La poignée, le Front, le Plastique, Gris
	32072	La poignée, le Front, le Plastique, Noir
12	75198	Assemblage de régulateur avec le soutien
13	32080	L'habitation, Gauche, de Plastique, Gris
	32085	L'habitation, Gauche, de Plastique, Noir
14	32021	Réflecteur, Métal
15	33088	Le carreau, la Trousse de Remplacement, MH9BX
16	32032	Brûleur, Assemblage
17	32095	L'habitation, le Droit, le Plastique, Gris
	33091	L'habitation, le Droit, le Plastique, Noir
18	32068	L'orifice, l'Assemblage avec l'O-anneau
19	32052	Orifice, Détenteur
20	32023	L'étage, le Comité, le Métal
21	42115	Changement, Tipover
22	32046	Parenthèse, Système d'Épuisement d'Oxygène
23	73404	Le Système d'Épuisement d'Oxygène, le Pilote, l'Assemblage
24	32057	Le tube, le Pilote, l'Assemblage
25	32067	Aimant, Réservoir

ACCESSOIRES:

ARTICLE	DESCRIPTION
F273701	ASSEMBLAGE DE TUYAU POUR PROPANE 1,5 m (orientable 2,4 cm - 20 Filet extérieur - Bonbonne jetable X P.O.L. avec volant) (Utilisation recommandée avec le filtre d'essence.)
F273702	ASSEMBLAGE DE TUYAU POUR PROPANE 3,6 m (orientable 2,4 cm - 20 Filet extérieur - Bonbonne jetable X P.O.L. avec volant) (Utilisation recommandée avec le filtre d'essence.)
F272702	ASSEMBLAGE DE TUYAU POUR PROPANE 3,6 m (orientable 2,4 cm - 20 Filet extérieur - Bonbonne jetable X P.O.L. avec volant) (Utilisation recommandée avec le filtre d'essence.)
F273699	Filtere à combustible (À remplacer annuellement)
F273704	10 ENSEMBLE de TUYAU de pi BUDDY-SERIES (filtre d'essence non exigé)

GARANTIE ET COMMANDE DE PIÈCES

PORTABLE BUDDY RADIANT CHAUFFE

Modèle MH9BX



LISEZ SOIGNEUSEMENT LES INSTRUCTIONS: Lisez et observez toutes les instructions. Conservez les instructions pour vous y référer ultérieurement. Interdisez à quiconque n'ayant pas lu les présentes instructions d'assembler, d'allumer, de régler ou de faire fonctionner cet appareil de chauffage.

⚠️ AVERTISSEMENT:

N'UTILISEZ QUE LES PIÈCES DE REMPLACEMENT DU FABRICANT. L'UTILISATION D'AUTRES PIÈCES RISQUE DE CAUSER DES BLESSURES ET LA MORT. LES PIÈCES DE REMPLACEMENT NE SONT OFFERTES QUE PAR LE FABRICANT ET DOIVENT ÊTRE INSTALLÉES PAR UNE ENTREPRISE SPÉCIALISÉE. LES TUYAUX NUMÉROS **F273701** ET **F273702**, AINSI QUE LE FILTRE À COMBUSTIBLE JETABLE **F273699** (À REMPLACER ANNUELLEMENT) DE MR. HEATER SONT SPÉCIALEMENT CONÇUS POUR CET APPAREIL DE CHAUFFAGE. UTILISATION BUDDY SERIES TUYAU NO. **F273704**, FILTRE A CARBURANT EST PAS REQUIS.

CE PRODUIT EST UN CHAUFFE. IT est certifié ANSI/CSA INTERNATIONAL EXIGENCE SECTION Z21.63:19/CSA 11.3:19, "CHAUFFE-CAMP À GAZ DE TYPE PORTABLE POUR USAGE EXTÉRIEUR". CE PRODUIT EST JAMAIS UTILISER POUR LA CUISSON OU RÉCHAUFFEMENT DES ALIMENTS EN TANT QUE CELA PEUT PORTER ATTEINTE DES SYSTEMES DE SECURITE DE L'APPAREIL, QUI PEUT PROVOQUER UN INCENDIE, EXPLOSION, LA PRODUCTION DE MORTEL DE MONOXYDE DE CARBONE, ET BLESSURES OU LA MORT POUR VOUS OU AUTRES. NE JAMAIS UTILISER FAIT MAIN OU TIERS ACCESSOIRES OU ACCESSOIRES AVEC CET APPAREIL; CECI EST EXTRÊMEMENT DANGEREUX ET PEUT PROVOQUER DES BLESSURES OU LA MORT POUR VOUS OU AUTRES.

INFORMATIONS SUR LA COMMANDE DE PIÈCES

ACHAT: On peut se procurer les accessoires par l'entremise de tous les détaillants locaux Mr. Heater ou directement du fabricant.

POUR OBTENIR DES INFORMATIONS SUR LE SERVICE

Appelez sans frais au 1 800 251-0001

ou visiter www.mrheater.com

Nos heures d'ouverture sont de 8 h 00 à 17 h HNE, du lundi au vendredi.

Veuillez indiquer le numéro du modèle, la date d'achat et la description du problème dans toutes vos communications avec nous.

GARANTIE LIMITÉE

Enerco Group Inc. garantit ses appareils de chauffage et ses accessoires contre les défauts de matériel et de main-d'œuvre pour une période de un an à partir de la date d'achat. Enerco Group Inc. réparera ou remplacera ce produit sans frais s'il est démontré qu'il est devenu défectueux pendant la période de un an et qu'il est retourné à Enerco Group Inc. aux frais de l'acheteur avec une preuve d'achat, au cours de la période de garantie. **CLAUDE DE NON-RESPONSABILITÉ:** Cette garantie ne couvre aucun produit qui: a) a été soumis à une utilisation abusive ou à une négligence; b) a été utilisé de manière incompatible avec les avertissements et les instructions contenus dans le manuel du propriétaire, y compris, sans toutefois s'y limiter, l'utilisation de un appareil de chauffage pour la cuisson ou le réchauffement des aliments; ou c) a été utilisé avec des accessoires ou des accessoires fabriqués à la main ou de tiers. La présente garantie donne des droits spécifiques, et vous pouvez avoir d'autres droits qui varient d'un État à État.

Enerco Group, Inc. se réserve le droit d'effectuer des modifications en tout temps, sans préavis ni obligation, aux couleurs, aux spécifications, aux accessoires, aux matériaux et aux modèles.

ENREGISTREMENT DU PRODUIT: Merci pour votre achat.
Veuillez vous connecter à <http://www.egiregistration.com> pour enregistrer votre produit.

