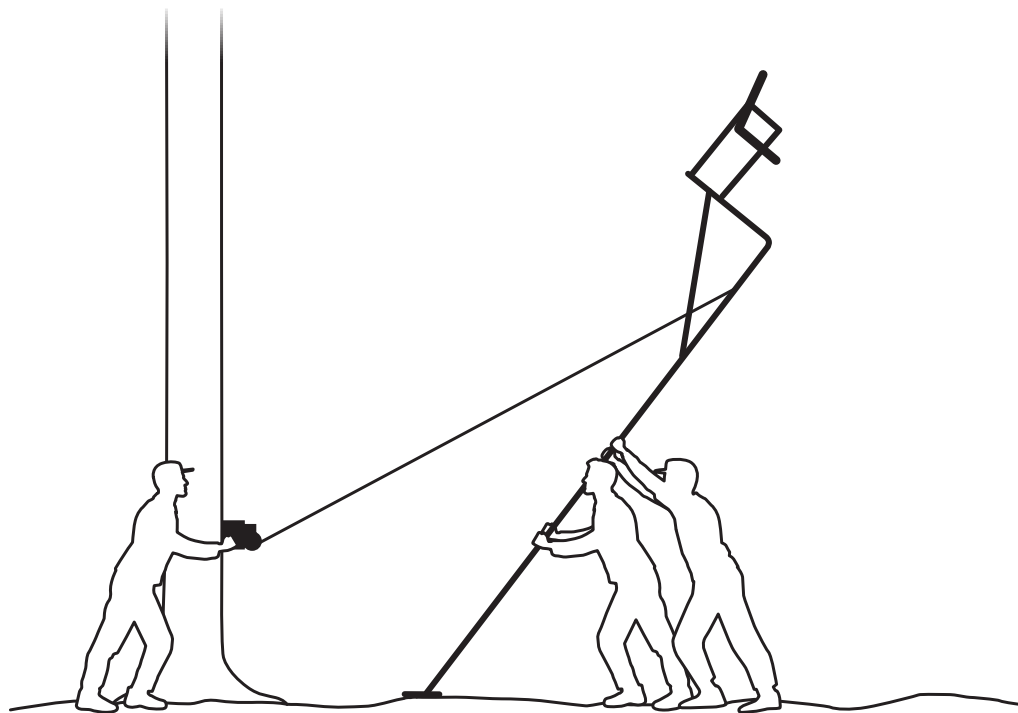




Ladderstand Installation Kit

Item number XASA950



⚠ WARNING

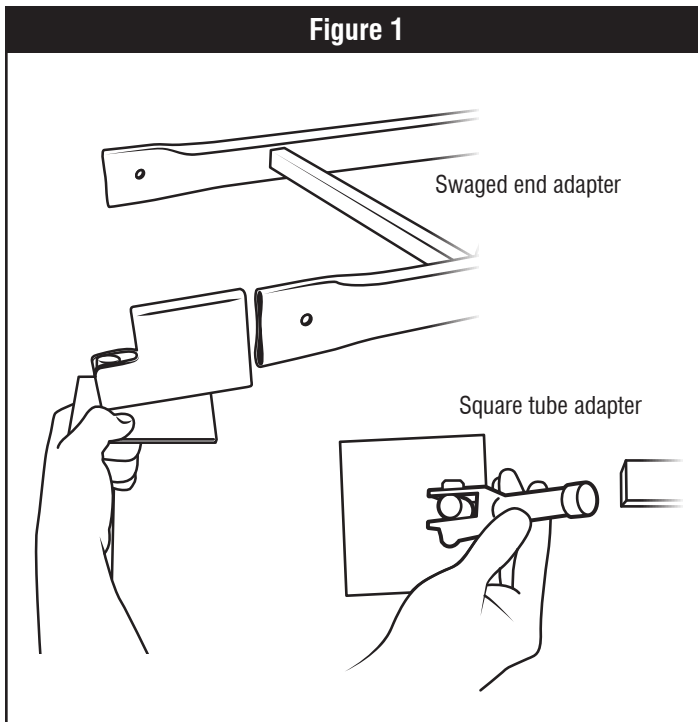
Always choose a straight healthy tree for use with the Guide Gear winch. It is very important that the tree you choose to set your stand to is straight and devoid of limbs, nearby brush, other trees or obstructions that could snag or catch the stand while being erected.

⚠ WARNING

Never use the Guide Gear winch or any treestand on a tree that is dead or shows signs of decay, dead branches or is leaning, icy, wet or has loose bark. If any of these conditions exist or you are in doubt as to the condition of the tree, Do not use the tree find another safe and suitable one! Never hunt or use a on a utility pole.

**ATTENTION!! WHEN YOU SEE A  WARNING BE SURE TO HEED THE MESSAGE!
THE INFORMATION CONTAINED IN THESE MESSAGES CAN SAVE YOUR LIFE!!**

Figure 1



STEP 1: Getting ready to use your X-Stand winch: First thing to do is determine the type of tubing used on the ladderstand you will be erecting. Some X-Stand models have standard square hollow tubing and some use oval tubing with swaged ends. Each type will require the proper adapter pegs to be installed on the swivel bases (Fig 1).

Next, position your fully assembled ladderstand near the tree with the ladder laying flat on the ground. With the top seat and platform part of your ladderstand positioned farthest from the tree base, the treestand feet or lowest point on the ladder should be approximately three to four feet from the tree base (Fig 2). Distance from the tree base will vary on different height and size treestands.

STEP 2: Install the ground swivel pegs: Be sure the “flag ends” of the flat plates on top of the ground swivel pegs are pointing towards the tree (Fig 3).

Figure 2

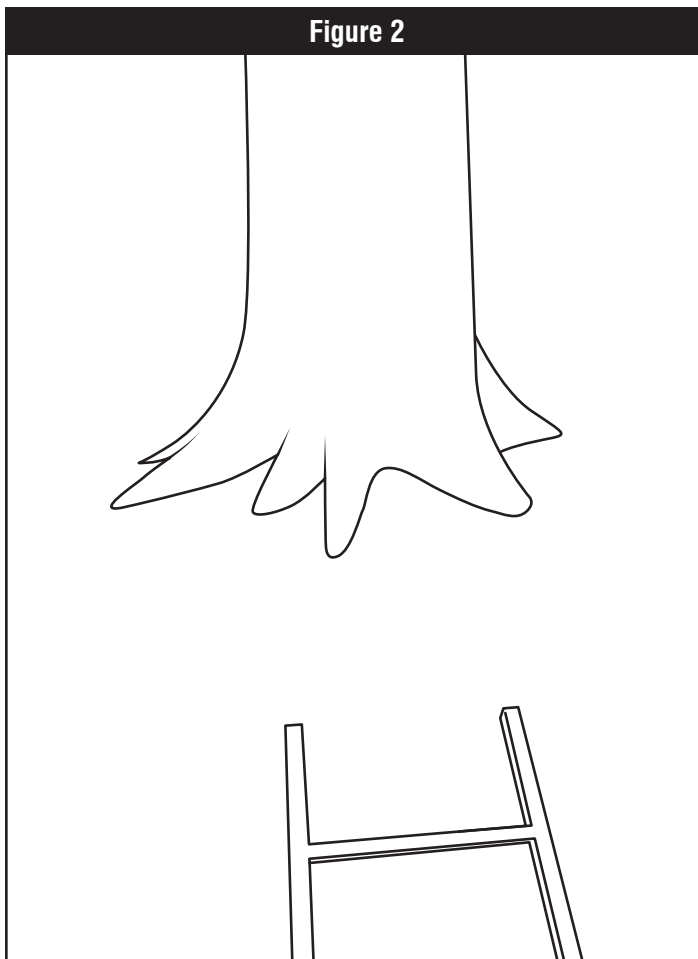
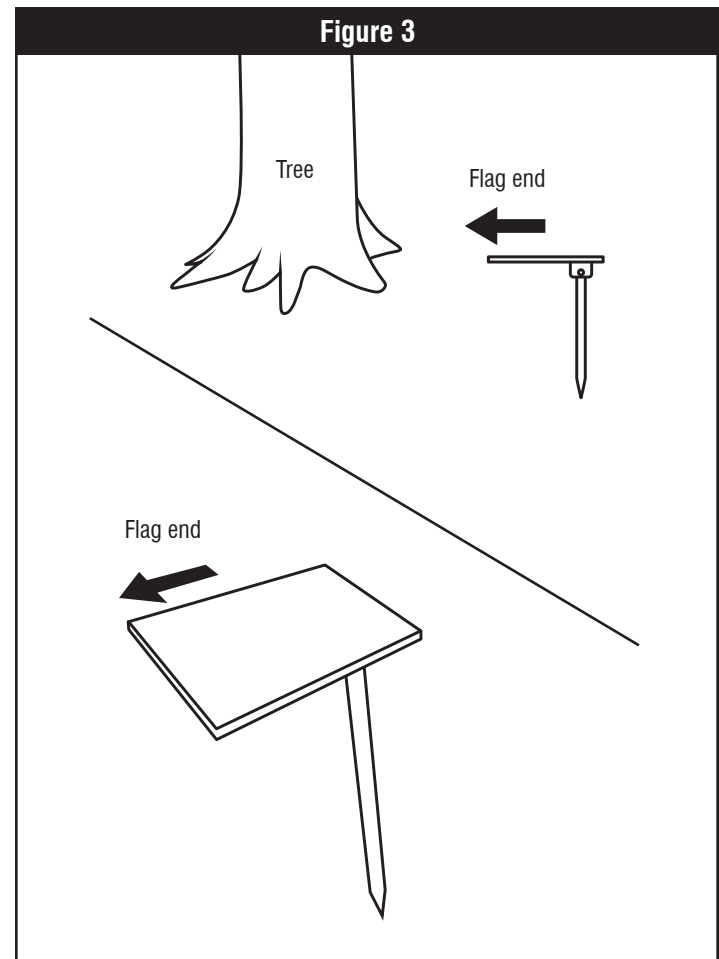


Figure 3



READ THIS MANUAL IN ITS ENTIRETY PRIOR TO USING THIS PRODUCT.

**ATTENTION!! WHEN YOU SEE A  WARNING BE SURE TO HEED THE MESSAGE!
THE INFORMATION CONTAINED IN THESE MESSAGES CAN SAVE YOUR LIFE!!**

Slide the swivel pegs into or over the ladder tubing (depending on tubing type used on your stand) (Fig 4).

Make sure the treestand ladder is square with the tree, the top seat and platform of your stand will follow this angle. If the ladder isn't set squarely with the tree the top seat and platform section will not align correctly with the tree causing the ladderstand to miss the tree and create a dangerous situation (Fig 5).

Push the long spikes on the swivel pegs into the ground. Be sure the spikes are set all the way in the ground with the flat plates resting firmly level against the ground. Your swivel pegs and ladder will be at a 90 degree angle (Fig 6). (It is best to start pushing both swivel pegs into the ground at the same time and then alternate, pushing each one a couple of inches at a time until both are fully seated into the ground. Some ground can be soft while other types of ground can be hard or rocky. If the ground is too loose or soft the spikes could pull out if the ground during use. If the ground is too hard the spikes may not seat properly. Choose ground that is firm but still allows the spikes to be fully inserted.

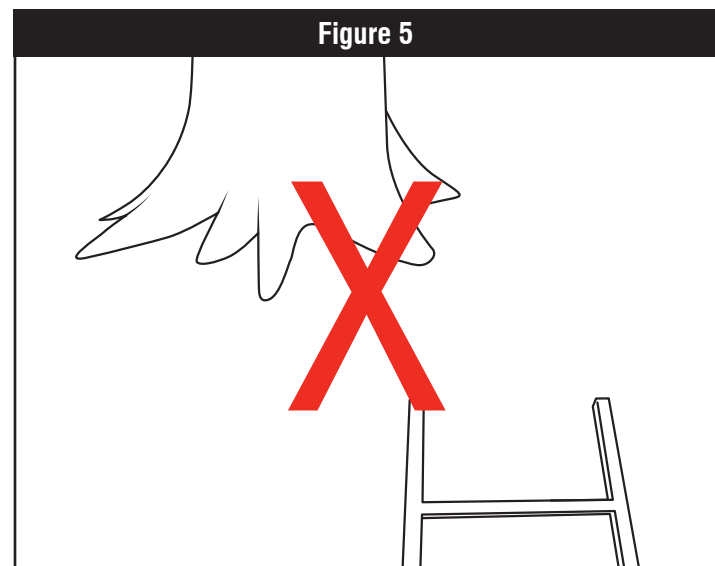
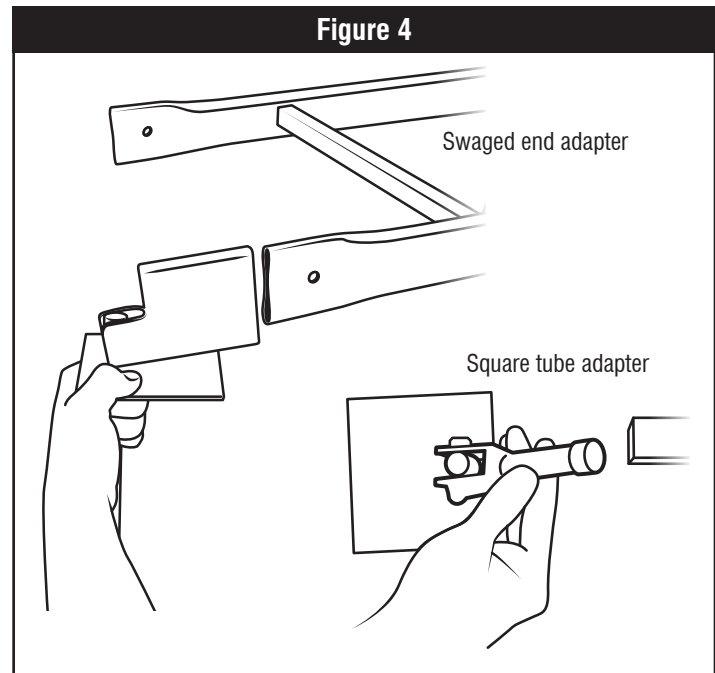
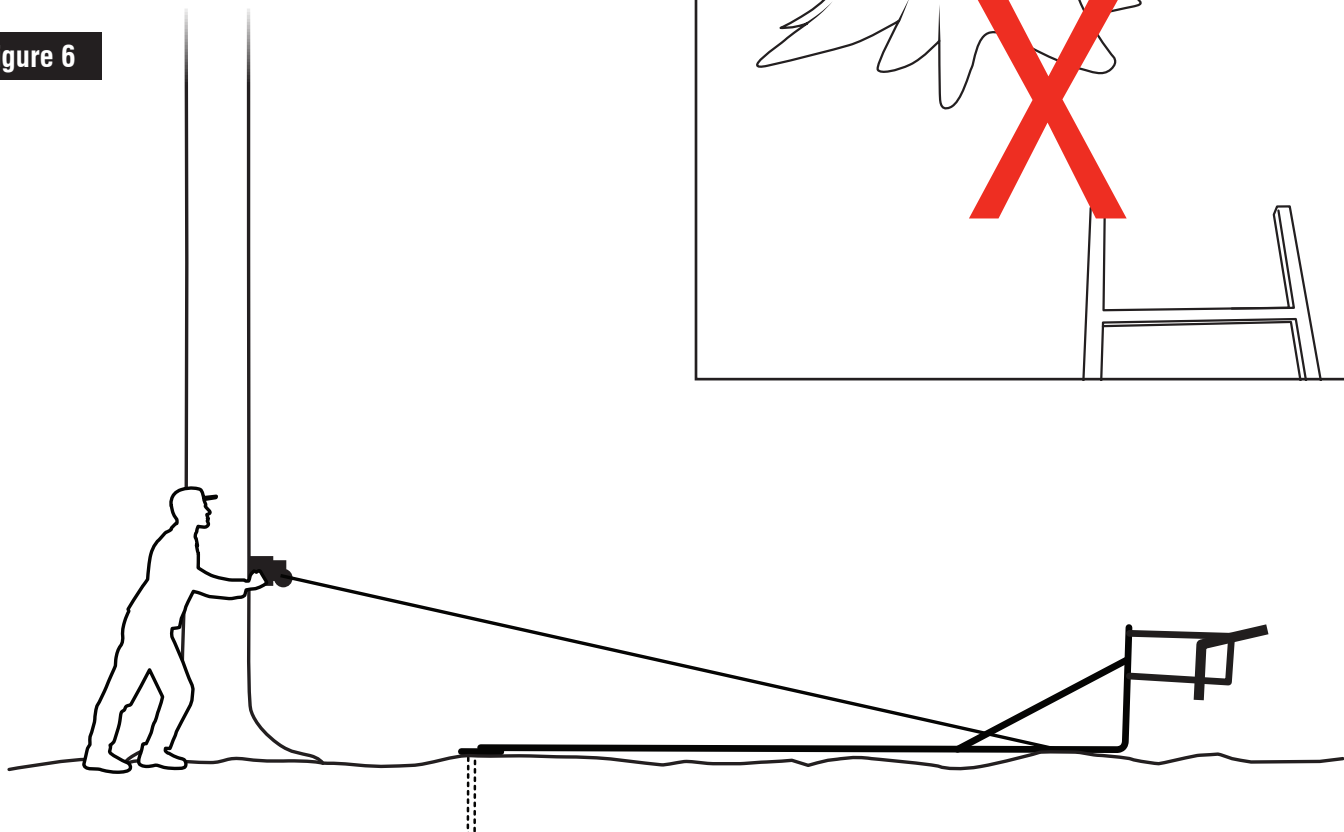


Figure 6



READ THIS MANUAL IN ITS ENTIRETY PRIOR TO USING THIS PRODUCT.

**ATTENTION!! WHEN YOU SEE A  WARNING BE SURE TO HEED THE MESSAGE!
THE INFORMATION CONTAINED IN THESE MESSAGES CAN SAVE YOUR LIFE!!**

STEP 3: Install the X-Stand winch to the tree; position the X-Stand winch on the side of the tree facing the treestand. Place the X-stand winch on the ground at the base of the tree with the crank handle toward the left (Fig 7).

Insert the loose end of the supplied ratchet strap through the rectangular holes located on the side of the winch bracket. Position the ratchet end of the strap behind the tree. Wrap the loose end of the strap around the tree so it can reach the ratchet end of the strap.

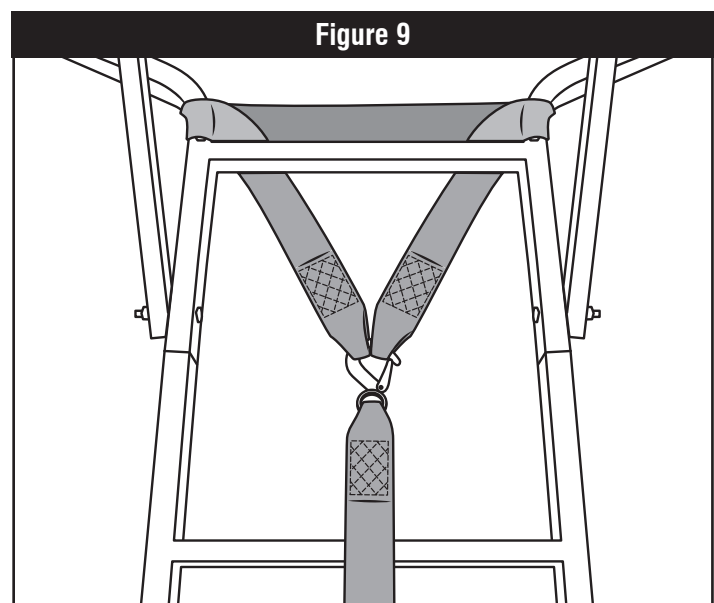
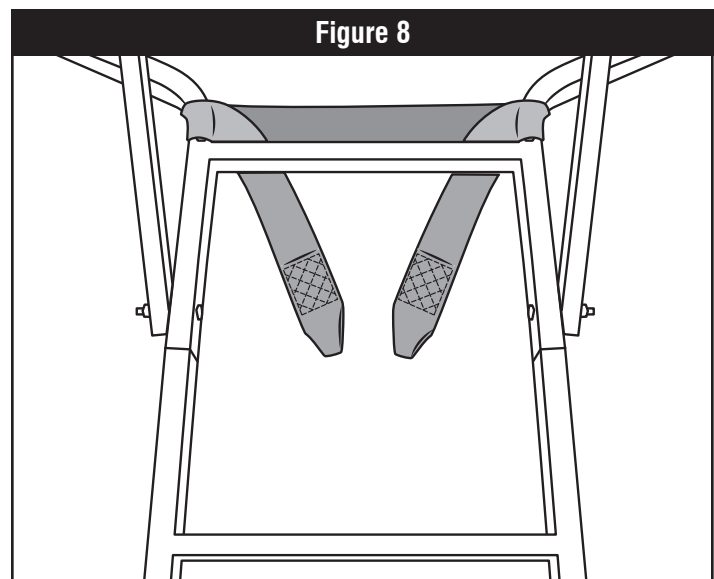
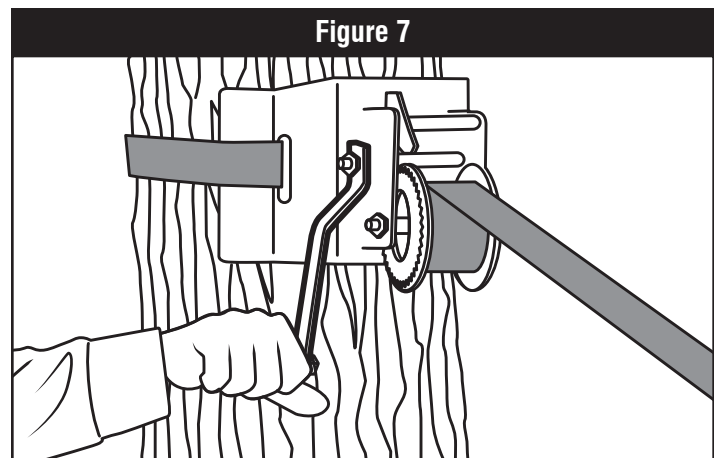
Next insert the loose end of the strap into the ratchet leaving some slack do not pull tight at this time. With the help of another person, Slide the winch bracket up the tree to approximately chest height, (4-5 feet) **Note: be sure that the X-Stand winch is lined up parallel with the ladder.**

While another person is holding the winch in place flat against the tree carefully pull the slack out of the strap through the ratchet end of the strap and tighten.

Next set the winch lever to the free spool position. Carefully pull out enough strap to reach the farthest rung on the treestand ladder right below to the stands platform. When pulling out to the winch strap, make sure the strap is not twisted and is flat/parallel to the ladder.

Next attach the tether strap with the two sewn loops onto the top rung of the ladderstand by wrapping it around each vertical post and bring each loop end over the top rung as shown in Fig 8.

Connect the hook end of the winch strap to the loop ends of the tether strap. Align the two loop ends evenly in the center of the ladder so that when the winch strap starts to tighten it is pulling directly down the middle of the ladder (Fig 9). Make sure the strap pulls straight and is not pulling left or right. **If the winch strap is not aligned properly the ladder could swing to the left or the right causing it to fall and be damaged or cause injury to anyone in the way.**

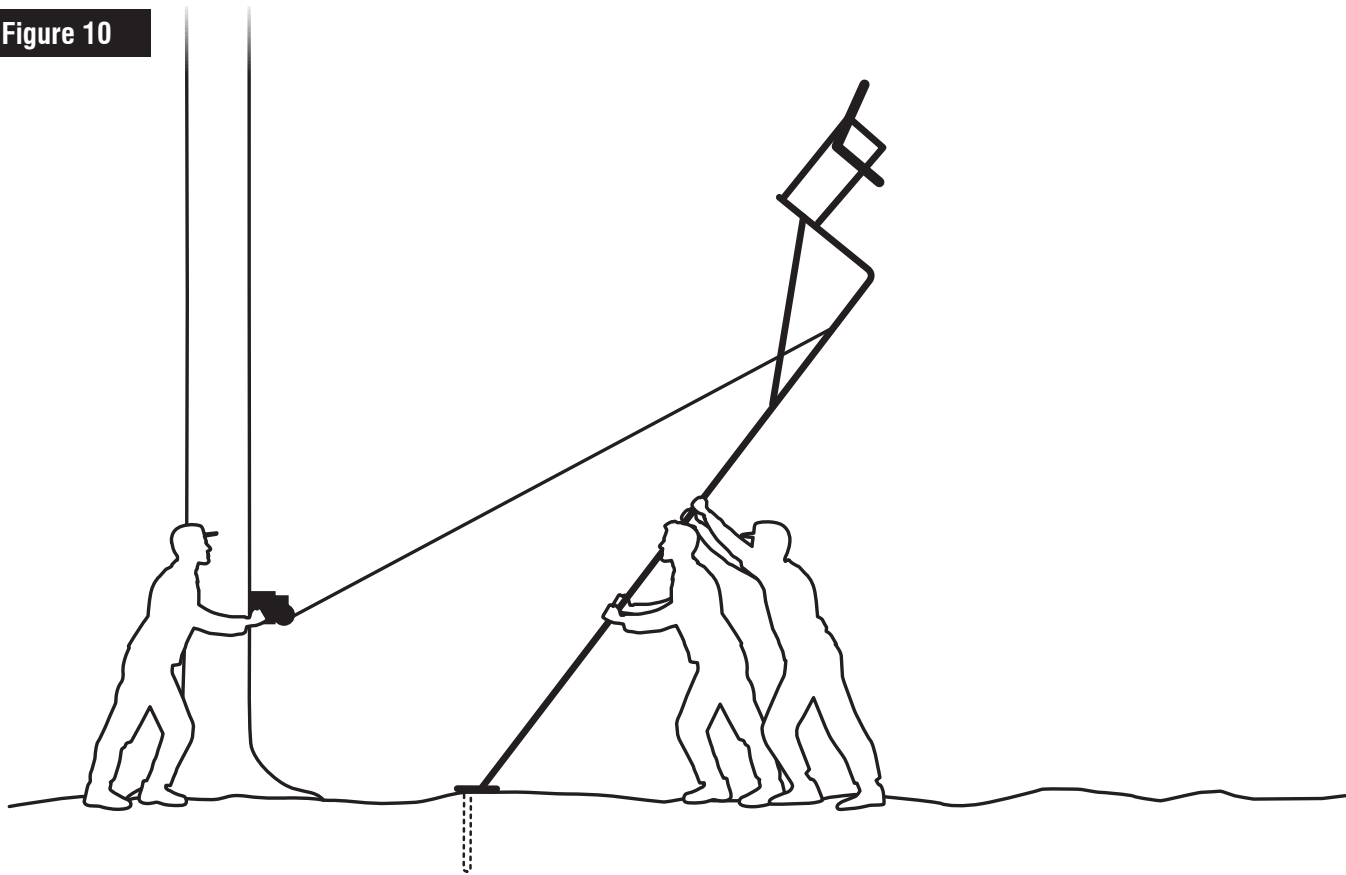


READ THIS MANUAL IN ITS ENTIRETY PRIOR TO USING THIS PRODUCT.

**ATTENTION!! WHEN YOU SEE A  WARNING BE SURE TO HEED THE MESSAGE!
THE INFORMATION CONTAINED IN THESE MESSAGES CAN SAVE YOUR LIFE!!**

STEP 4: With the help of two additional adults it is now time to begin to lift your stand up using the X-Stand winch. Start by making sure the winch switch is engaged. Begin turning the crank lever slowly. Remember to watch the winch strap to be sure it doesn't get wound up in the crank gears. Guiding it by hand may be necessary. Begin lifting the treestand slowly (Fig 10).

Figure 10



***NOTE: If you see the swivel pegs starting to pull out or moving towards you ... STOP Immediately!** If the winch seems extremely hard to crank or doesn't seem to want to lift the weight of the stand, stop and begin the let-down process. Unlock the winch lever with your free hand while still keeping pressure on the crank handle with the other. Slowly let down the treestand to the ground by turning the crank handle without letting go of it!

Once the stand is on safely on the ground check everything and reread the steps in this manual to be sure it is set up correctly, and correct as necessary. If there are no issues, continue cranking slowly. This cranking process should be very slow to be as safe as possible. Always have two responsible adults with you to help watch the lifting process. Pay close attention to the winch strap and the stand to be sure the stand doesn't start to sway and lean left or right. If this happens stop immediately and lower the stand. Re-evaluate your set up. Swaying left and right can be caused by the winch not being fastened parallel with the treestand, or the swivel pegs not placed on even ground or not being properly installed on the ladder.

READ THIS MANUAL IN ITS ENTIRETY PRIOR TO USING THIS PRODUCT.

**ATTENTION!! WHEN YOU SEE A  WARNING BE SURE TO HEED THE MESSAGE!
THE INFORMATION CONTAINED IN THESE MESSAGES CAN SAVE YOUR LIFE!!**

Level set up area is required for use of the X-Stand treestand winch. Choosing the correct location to use the X-Stand treestand winch is essential for safely hoisting your ladder stand. You must be aware of general treestand safety rules while using this product. Refer to your treestands warnings and set up instructions that came with your treestand.

Begin by choosing a level area, roughly 3 to 4 feet from the tree base, as a site to insert the ground swivel pegs into the ground. Position the lowest ladder section of your treestand on the ground where the ground spikes will be inserted. Use the two ladder feet or vertical bars as a guide to evenly space the ground spikes, making sure the peg ends will easily fit the ladder width. This location is where the bottom portion of the ladder will be set and will dictate the degree of angle of the ladder and platform of your stand.

 WARNING

Unlevel ground at the treestand base can result in the treestand not lifting straight while being hoisted into position with the X-Stand winch. The treestand can fall causing structural damage to the treestand or cause injury to anyone in the area during set up. Not heeding this warning could result in serious injury or death.

READ THIS MANUAL IN ITS ENTIRETY PRIOR TO USING THIS PRODUCT.



21673 Cedar Ave. South

Lakeville, MN 55044

TEL: 540-877-2769 • FAX: 952-236-6458

WWW.X-STAND.COM